



# BFN700 MINI DC IONIZING BLOWER MANUAL

BFN-700 MINI ionizing blower has outstanding ion-eliminating performance. It's an ideal device for preventing static contamination & interruption in the areas of electronic production line, maintenance bench, etc.

**▲ Note:** Please read this operating instruction manual thoroughly and completely before installation and operation. All of the BFN series electrostatic devices shouldn't be used under flammable and explosive environments. Don't use common and temporary socket as power source. All the BFN series ionizing blowers must use the power socket equipped with safety standard power cord and mustn't change or use Other power socket with bad grounding system.

## Safety

- Forbid to operate the blowers in flammable and explosive environment.
- Forbid to insert objects into the air outlet.
- Make sure reliable grounding before operating.
- Ensure that the power is cut off when cleaning and maintenance.
- After you wipe the blowers by alcohol and other preparations (including metal crust), you mustn't operate the blowers unless the blowers are completely dry.
- Don't disassemble or repair blowers by yourself.

## Product Features

- Thin, light, convenient and practical.
- With large ion output volume, can eliminate static quickly.
- Especially suitable for the small working scope.

## Application

Specially designed for small area and suitable for all kinds of situations needed to protect from static and automatic devices

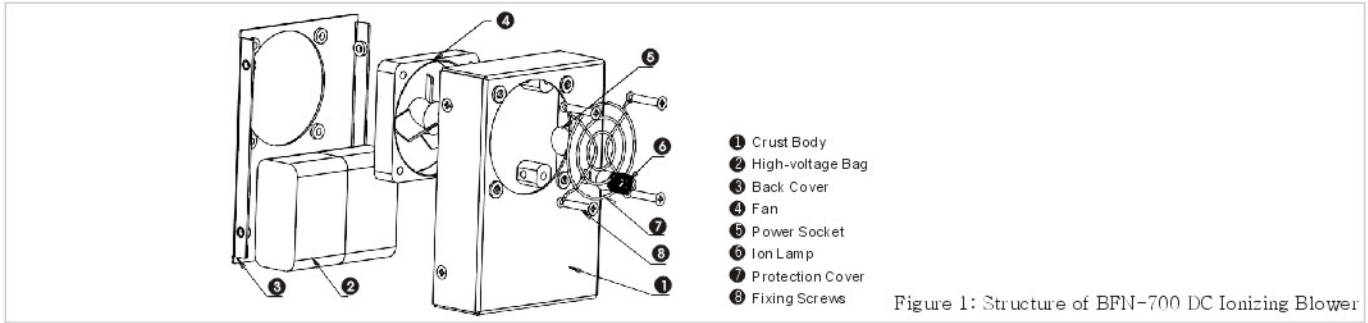
## Specification

- Power Supply: AC 220V ( $\pm 15\%$ ) /50Hz or AC 110V ( $\pm 15\%$ ) /60Hz
- Operating Current: 0.04A (Fan fixed at the highest speed)
- Air Output: 25CFM
- Effective Coverage: 5~380mm
- Ion Balance:  $\leq \pm 10V$
- Decay time:  $\leq 2.0s$  (decrease from  $\pm 1000V$  to  $\pm 100V$ , at 100mm away the air outlet)  
Test Condition: 25°C, humidity 55%, measure up with the EOS/ESD criterion.
- Operating Condition: 0°C~50°C(temperature), 20%~85%(relative humidity)
- Color: off white +argent (control box)
- Dimension: W85mmxH110mmxD34mm (ionizing blower), W105mmxH55mmxD132mm (control box)
- Transmission Cable: 2m
- Material: Aluminium
- Weight: 368g (blower), 920g (control box)

## Packing list

- BFN-700 ionizing blower: 1 set
- Transmission Cable: 1 piece
- Ex-work inspection report: 1 copy
- control box: 1 set
- Instruction Manual: 1 copy
- Warranty Card: 1 copy

## Structure



## Installation and application

Put blowers on the table-board or fix the bracket of blowers on proper plane. Make sure the distance falls into the effective coverage of 5mm to 380mm. And then, adjust the angles of ionizing blower in order to ensure the air covers the protected area. The air should blow the hands and area needed to be protected not human body.

Elimination time is closely related to the strength or weakness of the ion air. Farther from the air outlet and weaker the air bunch is, longer the elimination time will be, if the air speed is same. We suggest that BFN-700 can work most efficiently at the distance of 5mm~300mm.

## Operating guide

### ■ Turn on the blowers

When the ion blower is installed and fixed, please connect ionizing blower with control box by transmission cable and check the power cords. And then, turn power switch of control box to “ON”. Now, the ionizer indicator is on. At the beginning, the air speed is maximal, because of full-pressure start. You can adjust the speed according to the practical situation.

**▲ Note:** Forbid to insert any objects into air outlet and must ensure good grounding system before Operating.

### ■ Regular maintenance

BFN series blowers themselves don't release dusts. They can completely measure up the requirements of clean environments. While it is necessary to clean them to ensure they can work normally due to the particles and dusts floating around, which may pollute the ion blowers.

We can use soft brush and compressed air to remove the dust or wipe the ion needles & fan with tampons with 35% industrial alcohol. Suggestion: one time each year. Of course, you can clean the blower according to the practical situation.

**▲ Note:** Ensure that power supply to be turned off before cleaning and maintenance. When using alcohol and other solvents to clean (including metal crust), please don't turn on the blower until it is completely dry. Otherwise, it is possible to cause damage to blower or harm to human body. In order to avoid damage, Please be careful when disassembling.

## Calibration

BFN-700 ionizing blowers has excellent steady performance, the parameters of ionizing blower may vary with the affections of operating temperature and humidity and fluctuation of voltage.

Ion balance and static decay time test: can be tested at the working post by portable ionizer verification kit. We suggest one time each day at least.

Ion balance and static decay time calibration: can be carried out in labs by flat-plate electrostatic analysis instrument. Suggestion: one time each year at least.

This operation manual only for BFN-700 users, it includes the components, operation and some concerning information, some upgrading property with continuing stability, slightly difference will be allowed with operation and manual.



Suppliers Information



2012 HORB Corporation/printed in China.  
P/N: 1.001.02.107