



Create Value For Construction
为建筑创造价值

广东省著名商标

2014

HEHE CONSTRUCTION HARDWARE

合和五金系统
铝门窗五金分册

Aluminum Window & Door Accessories

合和建筑五金「铝门窗五金分册」1981-2014

HE HE 2014 © 版权所有 翻版必究

佛山美通广告设计 TEL:0757-83891145



广东合和建筑五金制品有限公司

Guangdong HEHE Construction Hardware Manufacturing Co., Ltd.

地址：中国广东佛山市三水区西南街道永业路1号

电话(Tel): 86-757-87310888 传真(Fax): 86-757-87318666

ADD: No.1 Yongye Rd, Southwest Street, Sanshui District, Foshan, Guangdong China

邮编(Post Code): 528100 P.R.CHINA

网址(Website): www.ss-hehe.com 邮箱(E-mail): master@ss-hehe.com

三水因西江、北江、绥江三江汇流境内而得名。拥有佛山乃至整个珠三角最美丽的山水，合和位处三江汇聚之风水宝地，聚四海英才，怀凌云壮志。以竭力促进行业的技术进步，推动行业持续健康发展，坚持绿色经营，建设环保型企业为宏图大业。

Sanshui is named for 3 rivers flowing together. HEHE HARDWARE. is a company located in this beautiful and valuable land with brilliant people and great dream. And the great dream is to do our utmost to keep technical promotion, to push this industry continually and healthily developing forward, and to keep on green operation and to build up an environmental protection enterprise.



本资料基于公司的研究、开发与工程实践，并且被认为是正确的，然而使用本公司产品的条件和方法非我们所能控制，本资料不得用于替代对公司产品在用于施工前就其是否完全满足您特定应用要求所需的初始测试。

本资料不能当作任何明示或暗示的担保，并且您能获得的唯一补偿仅限于退还购货款或替换不适用之本公司产品。本公司明确声明，不承担偶发的或附带性损失的任何责任，我们所提供的使用建议，不得被当作侵犯任何专利权的导因。本公司因为技术进步和为提高产品适用性而对产品进行的局部设计修改、完善，恕不另行通知。

Based on this information research, development and engineering practice, and is considered correct, however, the company's products use the conditions and methods are beyond our control, this information shall not be used as a substitute for the company's products are used to pre-construction on its fully meet your specific application requirements of the initial test.

This information should not be deemed any kind, either express or implied warranties, and you can be the only compensation is limited to refund of the purchase price or replacement of the company not applicable product.

A clear statement of the company, assumes no accidental loss of or incidental to any responsibility, we provide the use of the recommendations may not be treated as an infringement of any patent rights caused.

The company because of technological progress and to improve the applicability of products products for the partial design to amend and improve without notice.



*Gather professional brightness in the right place,
To make a better living environment.*



INDEX 目录



- P1 ▶ 公司简介 Company Profile
- P3 ▶ 荣誉证书 Qualification And Honor



- P7 ▶ PTM平行推拉门右开 Parallel Slide Fittings
- P8 ▶ PTM平行推拉门 Parallel Slide Fittings
- P9 ▶ 折叠推拉门 Folding Slide Door Fittings
- P11 ▶ TSM提升推拉门 Lift-slide Door Fittings
- P15 ▶ ZDMQ01推拉门330型 Slide Door Fittings
- P17 ▶ 标准欧式20槽口配合尺寸 Matching Dimension For European Standard(20Mm Groove)



- P19 ▶ 欧标节能窗内平开下悬组件NXC01 European Standard(20mm groove)Tilt-turn Window System
- P21 ▶ 隐形合页内平开下悬铝窗组件YNXC02 Conceal Hinge Tilt-turn Window System
- P23 ▶ 欧标节能窗下悬内平开组件XNC01 European Standard(20mm groove)Tilt-turn Window System
- P25 ▶ 欧标节能窗内平开下悬组件HCBG11 European Standard (23mm groove)Tilt-turn Window System
- P27 ▶ 欧标节能窗内平开双向锁组件HCBG03 European Standard Inward Opening Double Direction Locking System
- P29 ▶ 欧标节能窗内平开双向锁组件HCBG04 European Standard Inward Opening Double Direction Locking System
- P31 ▶ 欧标节能窗内平开双向锁组件HCBG05 European Standard Inward Opening Double Direction Locking System
- P33 ▶ 欧标节能窗内平开双向锁组件HCBG06 European Standard Inward Opening Double Direction Locking System
- P34 ▶ 欧标节能窗内平开单向锁组件 European Standard Inward Opening Single Direction Locking System
- P35 ▶ 外开窗五金配置系列-单点锁 Single-point Locking Series For Outward Opening Window
- P36 ▶ 外开窗五金配置系列-多点锁 Multi-point Locking Series For Outward Opening Window
- P39 ▶ 内平开窗装配示意图 Inward Casement Window Assembly Diagram
- P40 ▶ 外平开窗装配示意图 Outward Casement Window Assembly Diagram



- P42 ▶ 平开窗执手选用和安装说明 Selection And Installation Of Casement Window Handle
- P43 ▶ 多点锁执手系列 Multi-point Lockable Handle Series



- P58 ▶ 传动锁闭器系列 Multi-point Transmission Device Series
- P66 ▶ 多点锁锁座系列 Multi-point Locking Holder Series
- P69 ▶ 轻型上悬窗系列 Light Top-hung Window Series
- P70 ▶ 外上悬窗安装示意图 Installed On The Diagram Of Hanging Outside The Windows
- P71 ▶ 幕墙多点锁系列 Multi-point Looking Series For Curtain Walls

- P73 ▶ 滑撑的选用和安装 Selection And Installation Of Friction Stay
- P74 ▶ 滑撑系列 Friction Stay Series
- P80 ▶ 撑挡系列 Limiter Stay Series
- P85 ▶ 伸缩撑系列 The Telescopic Limiter Stay
- P87 ▶ 内藏式安全防脱锁 Safety Dropping Preventer Lock



- P91 ▶ 合页的安装和选用说明 Installation And Selection Of Hinge Series
- P92 ▶ 铰链(合页)系列 Hinge Series
- P98 ▶ 旋压执手系列 Camlock Handle Series
- P100 ▶ 外平开窗联动执手系列 Dual-lock Handle Series



- P101 ▶ 平开门锁五金配件 Casement Door Accessories
- P113 ▶ 铰链(合页)系列 Hinge Series



- P117 ▶ 插销 Flush Bolt
- P119 ▶ 70节能推拉门窗系列 70 Energy-saving Sliding Door & Window Series
- P121 ▶ 95节能推拉门窗系列 95 Energy-saving Sliding Door & Window Series
- P123 ▶ 阳台推拉门对开安装示意图 Installation Diagram Of Balcony Sliding Doors
- P124 ▶ 推拉门窗系列 Sliding Window Series
- P125 ▶ 推拉门窗锁系列 Sliding Door & Window Lock Series



- P133 ▶ 月牙锁系列 Crescent Lock Series



- P136 ▶ 组角器系列 Corners & Connectors



- P139 ▶ 推拉门窗隔热硬胶条 Heat-insulation Plastic Strips



- P142 ▶ 滑轮的选用和安装 Selection And Installation Of Sliding Window Roller
- P143 ▶ 推拉门窗滑轮系列 Roller Series



Company profile

企业简介

广东合和建筑五金制品有限公司（以下简称合和）创建于1981年，是国内规模宏大的铝合金、塑料门窗、门控幕墙五金配件生产企业，也是国内唯一一家同时拥有门窗五金配件及密封配件双重研发与生产能力的新型现代化企业集团。

合和经过三十多年的发展，依靠扎实的技术基础和先进的经营理念，发展成为占地近30万平方米，员工总数2000多人的大型企业。公司在全国各地设有销售服务机构，销售网络覆盖各省份、直辖市、自治区和特别行政区，并远销100多个国家和地区。

合和已全面通过和推行ISO9001、ISO14001、OHSAS18001认证体系标准，生产基地拥有国内外领先水平的自动化生产线及工程技术研发中心，具备自主研发能力和大型生产能力。产品包含铝合金、塑钢门窗五金系统、门控幕墙五金系统、密封胶条等2000多个品种，同时拥有系统解决方案以及360项产品技术专利、50多款行业推荐产品，是广东省名牌产品、著名商标企业。

“为建筑创造价值”用合和产品营造出美观、安全、节能的人居环境，为社会创造价值，践行公司“合作共赢，和谐发展”的理念。

Create Value For Construction



Win-win cooperation And harmonious development

Founded in 1981, 3H INC. is a domestic large-scale hardware accessories production enterprise in aluminum, UPVC doors and Windows ,door control system and curtain wall system. We are the only modern enterprise group that have R&D and production capacity for both window & door hardware fittings and Rubber sealings. After 30 years of developing, relying on solid technical foundation and advanced management concept, we developed into a production base that covers an area of 300,000 square meters, with more than 2000 employees . Our sales network covers all of China and exported abroad more than 100 countries until now.

We are certified factory for ISO9001:2008, ISO14001, OHSAS18001 system standard, the production base with first class automatic production lines and R & D center in the world. Factory have independent product development capacity and large production capacity.

Products range include aluminum window & door system, UPVC window and door system, door control hardware system , curtain wall hardware system and sealing strips, more than 2000 varieties products for your selection. With system solutions ,360 patents, 50 industry recommended products, We are the famous brand enterprise,with Guangdong province famous brand product.

"Create value for construction" is our product idea. Using our products to build a beautiful, safe, energy-saving living environment, creating value for society, are the practice of our company concept of "harmonious development and win-win cooperation".

Win-win cooperation
And harmonious development

合作共赢 和谐发展

Create Value For Construction

“为建筑创造价值”用合和产品营造出美观、安全、节能的人居环境，为社会创造价值。



ISO9001:2008 质量管理体系认证
IOSO14001 环境管理体系认证
OHSAS18001 职业健康安全管理体系认证



中国建筑金属结构协会
副会长单位
Vice President of CCMSA



ECM 国际认证
ECM Certification



IAF 国际认证
Global Manufacturer Certificate



CNAS 国家认证
CNAS Certificate



GMC 环球制造商国际认证
Global Manufacturer Certificate



广东省名优产品企业
Guangdong famous quality products enterprise



广东省名牌产品企业
Guangdong province famous brand products enterprises



广东省著名商标企业
Famous brand enterprise in guangdong province

Contact

合和热线

电话(Tel): 86-757-87310888
传真(Fax): 86-757-87318666
邮箱: master@ss-hehe.com(China)
E-mail: export@hehexin.com(Export)

投诉电话
86-757-87310888
English Hotline:
86-757-8732999

Online

合和在线

有关我们产品的更多资料，请访问我们的网站：

www.ss-hehe.com

For more detail about our products, please visit our web site: www.hehexin.com

Support

技术咨询

电话(Tel): 86-757-87323676

The Building Hardware Kingdom

The Strength Of Totrm



Specialized Manufacturer of Accessories for  Window & Door



Window & Door System



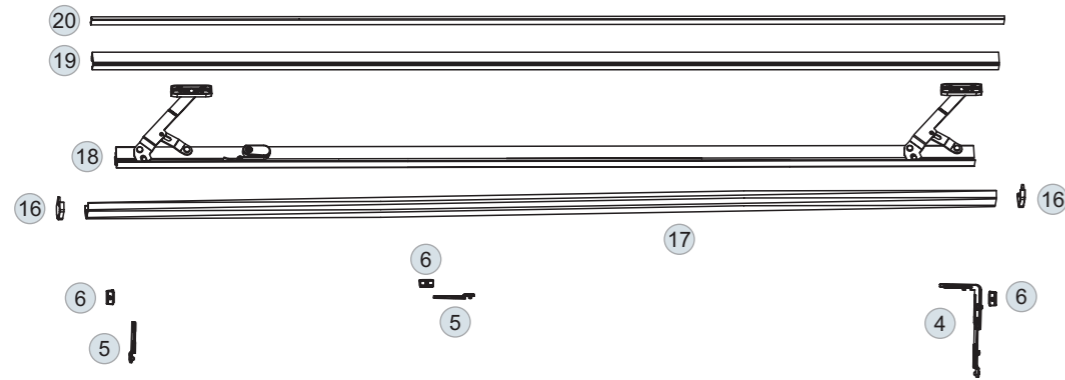
铝门窗五金系统 3H products have been in more than 50 countries and areas throughout the world and we equipped with a network of agent in our country's main provinces and cities. Every agent network marked the extension of Hehe service.

Parallel Slide Fittings

PTM平行推拉门右开

Parallel Slide Fittings

PTM平行推拉门

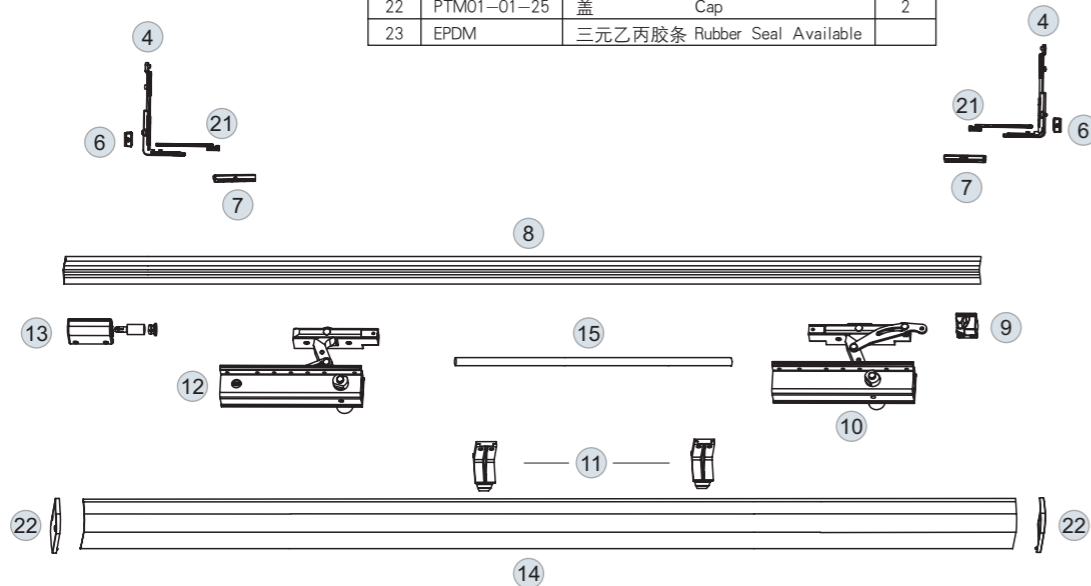


● PTM平行推拉门A型组件
PTM parallel sliding fittings Model A

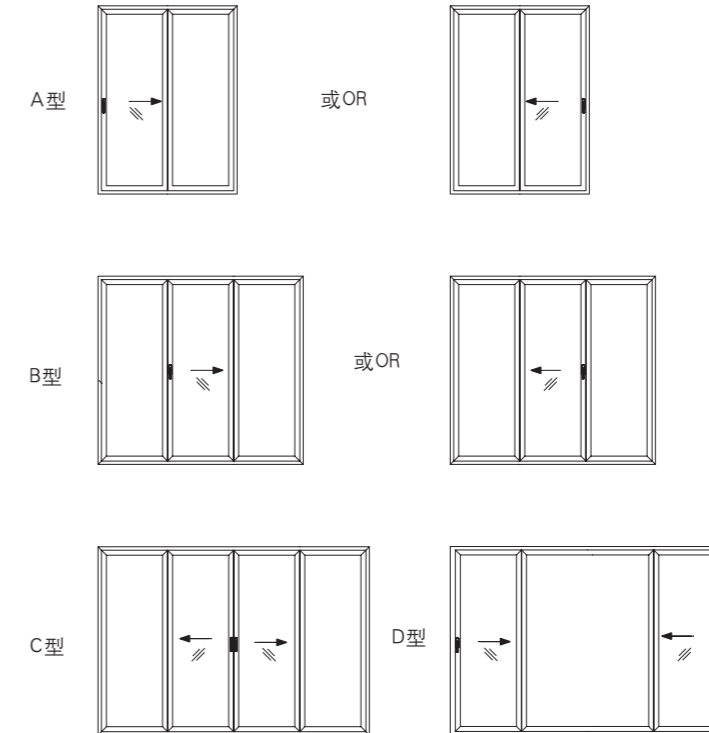
序号 No.	产品编号 Code	名称 Description	数量 QTY
1	CZH22	执手 Handle	1
2	A · CC01	传动杆 Transmission Rod	1
3	A · CF01	防误器 Anti mis-operation Device	1
4	A · CQ01	转角器 Corner Device	3
5	PTM01-03-03	锁杆 Locking Rod	2
6	A · CZ01-03	欧槽锁座 Striker	5
7	PTM01-03-02	防提锁座 Striker	2
8	PTM01-01-01	下轨 Bottom Rail	1
9	PTM01-01-02	归位块(右) Home Block	1
10	PTM01-01-15	轮轴架(左) Left Roller	1
11	PTM01-01-17	支架 Supporter	2
12	PTM01-01-16	轮轴架(右) Right Roller	1
13	PTM01-01-14	防撞块 Anti-hitting Block	1
14	PTM01-01-27	盖板 Cover Plate	1
15	PTM01-01-08	连杆 Linking rod	1
16	PTM01-02-16	拉杆盖 Rod Cap	2
17	PTM01-02-15	卡罩 Cover	1
18	PTM01-02	上滑组件 Upper Sliding Configuration	1
19	PTM01-02-11	上滑轨 Upper Sliding Rail	1
20	PTM01-02-14	上轨罩 Upper Rail Mantle	1
21	PTM01-03-01	防提锁杆 Locking Rod	2
22	PTM01-01-25	盖 Cap	2
23	EPDM	三元乙丙胶条 Rubber Seal Available	

- 有效节省了开启时占用的空间。
- 能实现平开门平等的密封效果。
- 提供了高达200kg的承重要求。
- 让冬季房间的通风更加科学。
- 只需操作执手便轻松实现开闭。

- Efficiently save the occupied space when opening.
- Realize the same sealing performance with casement door.
- Maximum load capacity is 200kg;
- The room ventilation is more scientific in winter;
- The door can be easily opened by operating the handle.

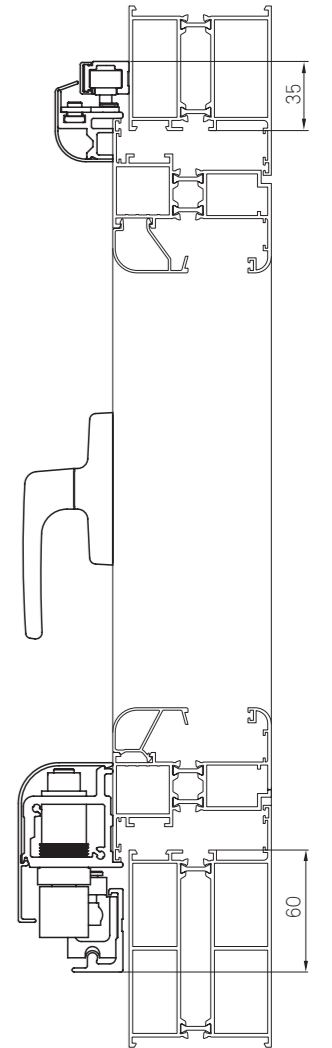


► 配置方案 Configuration scheme



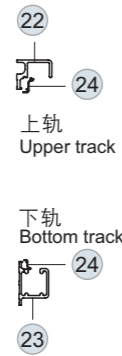
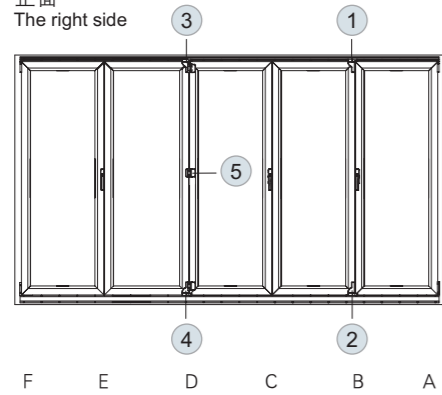
- 适用于阳台、商场大门，有效节省开启时占用的空间。
- 下轨承重，灵活轻便，便于清洁维护，多锁点使抗风压性、气密性、水密性、防盗性完好。
- 单扇最大承重100kg，最高2500mm，最宽2000mm。可按配置方案灵活组合。

- Suitable for balcony and supermarket gate. Efficiently save the occupied space when opening.
- The bottom track bears the weight. It's convenient and easy to clean and maintain. Multi-points lock ensures perfect windproof, air tightness, water tightness and theft proof;
- The single sash maximum load capacity is 100kg. Maximum height: 2500mm, maximum width: 2000mm. Flexible combination based on the configuration.

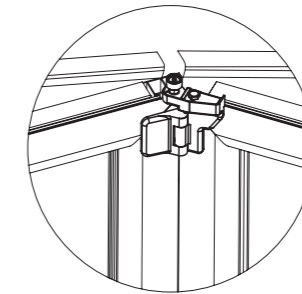
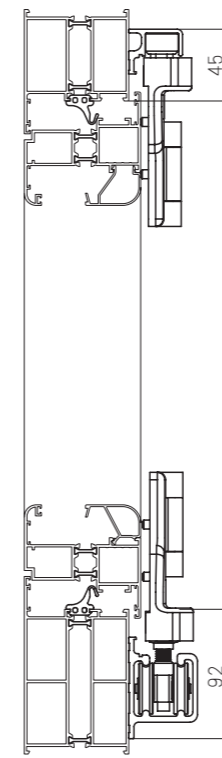
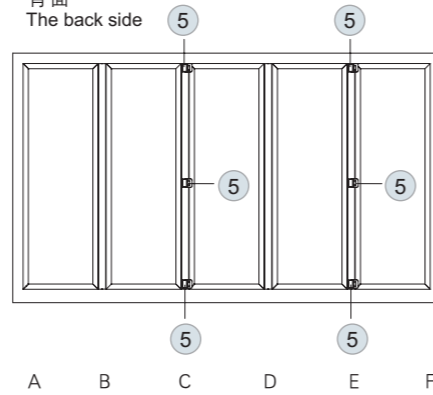


▶ 541型

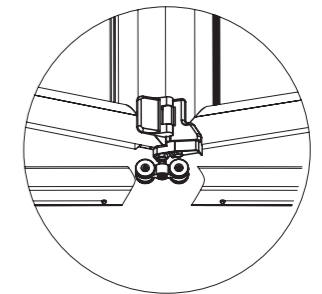
正面
The right side



背面
The back side

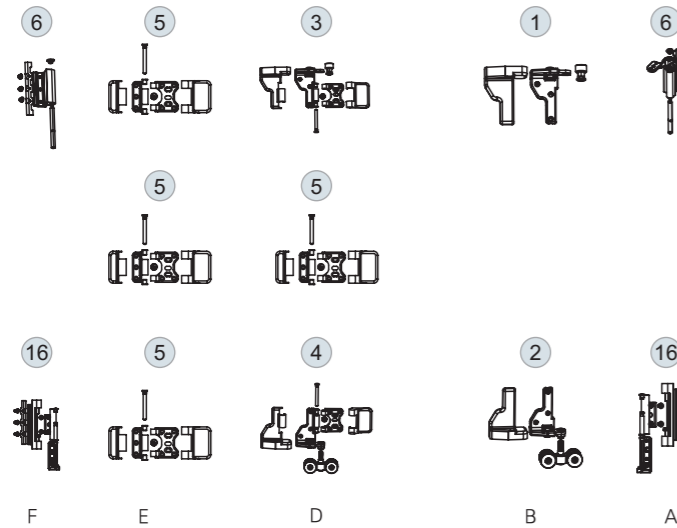


上合页系统
Upper pivot hinge system

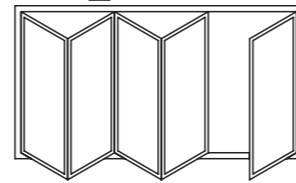


下合页系统
Bottom pivot hinge system

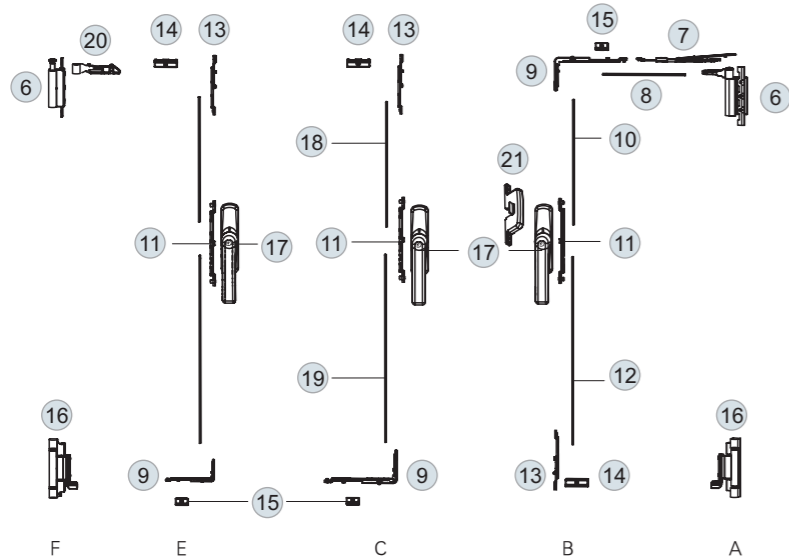
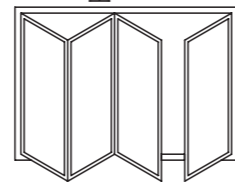
- 开启面大，视野开阔，无限美景尽收眼底。
- 操作自如，开闭简便，舒适生活尽在滑动间。
- 密封性好，防尘防噪，远离凡尘另辟世外桃源。
- 最多七折配置，可根据需要灵活组合。
- 单扇最大承重100kg。
- Big opening plane can provide more space and broaden your eyesight.
- Convenient operation and easy open-close make your life more comfortable;
- Good performance of airproof, anti-dust and soundproof makes you far away from the crowded;
- The number of sash is flexible based on your requirements, but not more than 7;
- Maximum load capacity is 100kg for single sash.



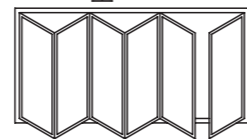
▶ 折叠门 Folding door 541型



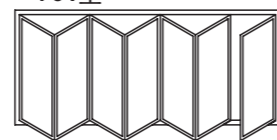
▶ 折叠门 Folding door 431型



▶ 折叠门 Folding door 651型

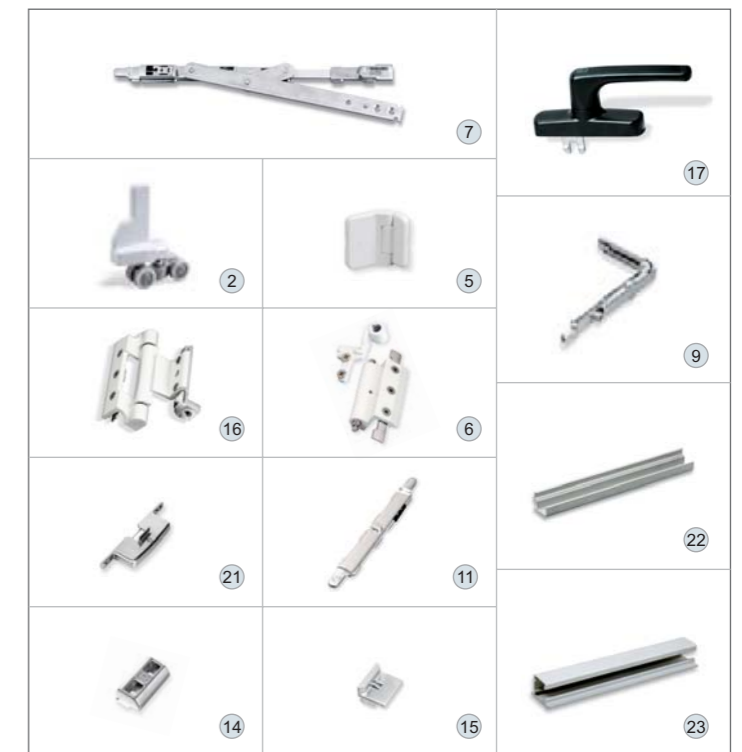


▶ 折叠门 Folding door 761型



● 折叠推拉门541型组件 Folding Slide Door Fitting

序号 No.	产品编号 Code	产品名称 Description	数量 QTY
1	ZDM01-04	上滑轮 Upper Roller	1
2	ZDM01-05	下滑轮 Bottom Roller	1
3	ZDM01-02	上滑轮 Upper Roller	1
4	ZDM01-03	下滑轮 Bottom Roller	1
5	ZDM01-01	合页 Hinge	7
6	A · CJ01-S	上合页 Upper Pivot Hinge	2
7	A · CL03	斜拉杆 Slanting Transmission Rod	1
8	LA	拉杆A Pulling Rod A	1
9	A · CQ01	转角器 Corner Device	3
10	LB	拉杆B Pulling Rod B	1
11	A · CC01	传动杆 Transmission Rod	3
12	LC	拉杆C Pulling Rod C	1
13	A · CG01	内倒锁件 Overturn Lock Parts	3
14	A · CZ01-04	支撑块 Supporting Block	3
15	A · CZ01-03	欧槽锁座 Lock Holder	3
16	A · CJ01-X	下合页 Bottom Pivot Hinge	2
17	CZH22	执手 Handle	3
18	LD	拉杆D Pulling Rod D	3
19	LE	拉杆E Pulling Rod E	3
20	ZDM01-06	上连杆 Upper Connection Rod	1
21	A · CF01	防误器 Anti-misoperation Device	1
22	ZDM01-02-06	上轨 Upper Rail	1
23	ZDM01-03-07	下轨 Bottom Rail	1
24	ZDM01-02-07	压条 Strip	2
25	EPDM	三元乙丙胶条 Rubber Seal Available	

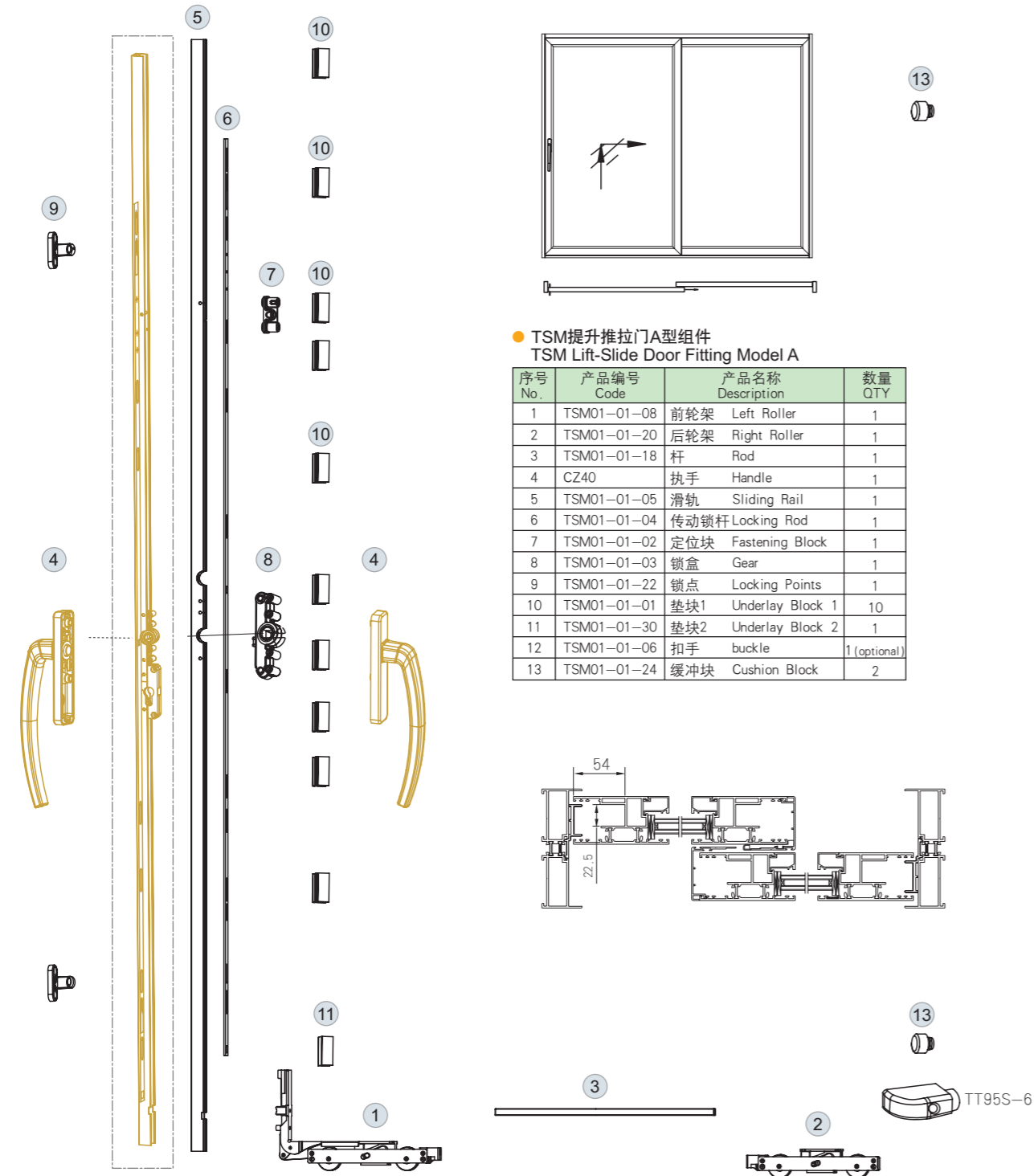


● TSM提升推拉门技术特点分析:

- 1、占地空间小，门扇开启扇大
 - 提升推拉门同普通推拉门特点一致，在开启时占据的空间小。
 - 开启扇的几何尺寸大。
 - 例如：单趟推拉门最大适合的洞口宽度可以达到约6500mm，扇宽最大可以达到3000mm。
- 2、提升门应用广泛
 - 适用于阳台门、阳光房门、隔断门等。
- 3、运动灵活
 - 开启力小，开启后轻松推拉。
- 4、防盗性好
 - 采用防盗定位块和传动器的配合。
- 5、开启扇重量大
 - 开启扇重量由承重轮的承重量和数量决定。
- 6、密封性高
 - 采用胶条密封，比推拉门传统意义上的毛条密封性高。
 - 在两扇重叠的部位采用密封解决风桥问题。

● Technical features of lift-slide door

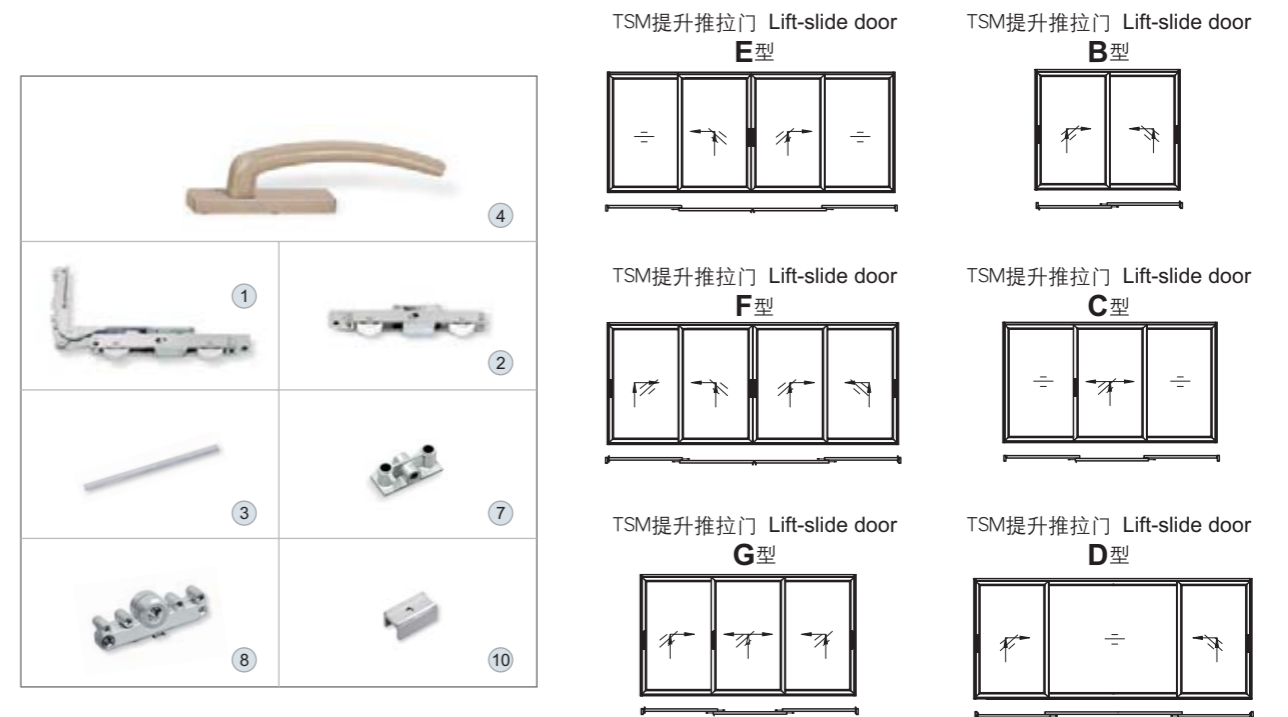
- 1, Small occupied space but large opening space.
 - The character of lift-slide door is same with ordinary sliding door that both occupy small space when opening.
 - large geometric size of opening sash .
- 2, Widely-used series
 - Suitable for balcony, sunshine-room, and partition door etc.
- 3, Flexible operation
 - Easily opening and then slide smoothly.
- 4, Excellent anti-theft function
 - Adopt both Anti-theft positioning block and transmitter.
- 5, Heavy opening sash
 - The weight of opening sash depends on the load capacity and number of bearing rollers.
- 6, High seal function
 - Adopt sealing rubber strip, higher seal than traditional weather strip;
 - Sealing is used on the overlapping parts of two sashes to solve air bridge issue.

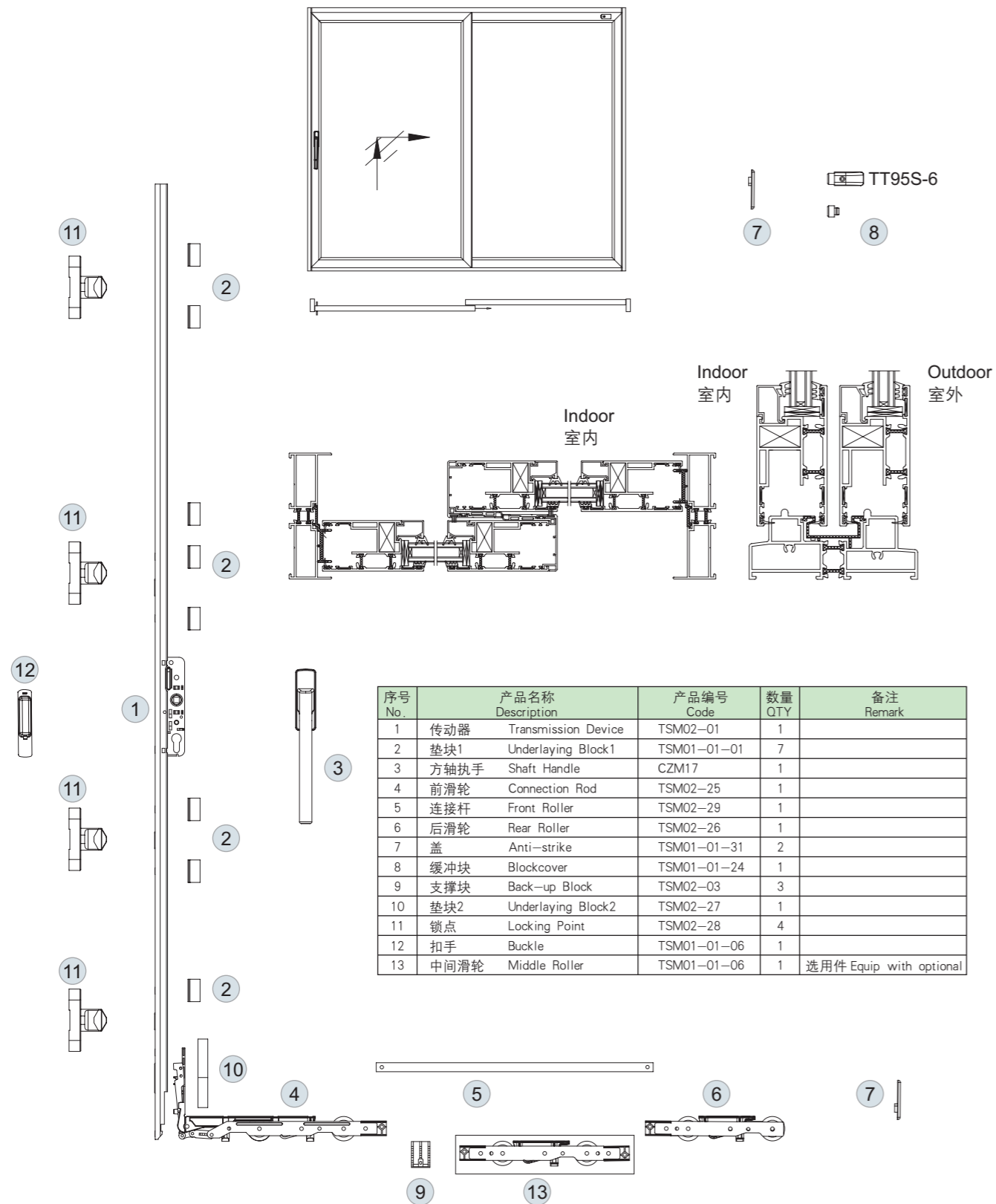


● TSM提升推拉门A型组件
TSM Lift-Slide Door Fitting Model A

序号 No.	产品编号 Code	产品名称 Description	数量 QTY
1	TSM01-01-08	前轮架 Left Roller	1
2	TSM01-01-20	后轮架 Right Roller	1
3	TSM01-01-18	杆 Rod	1
4	CZ40	执手 Handle	1
5	TSM01-01-05	滑轨 Sliding Rail	1
6	TSM01-01-04	传动锁杆 Locking Rod	1
7	TSM01-01-02	定位块 Fastening Block	1
8	TSM01-01-03	锁盒 Gear	1
9	TSM01-01-22	锁点 Locking Points	1
10	TSM01-01-01	垫块1 Underlay Block 1	10
11	TSM01-01-30	垫块2 Underlay Block 2	1
12	TSM01-01-06	扣手 buckle	1 (optional)
13	TSM01-01-24	缓冲块 Cushion Block	2

► 配置方案 Configuration scheme



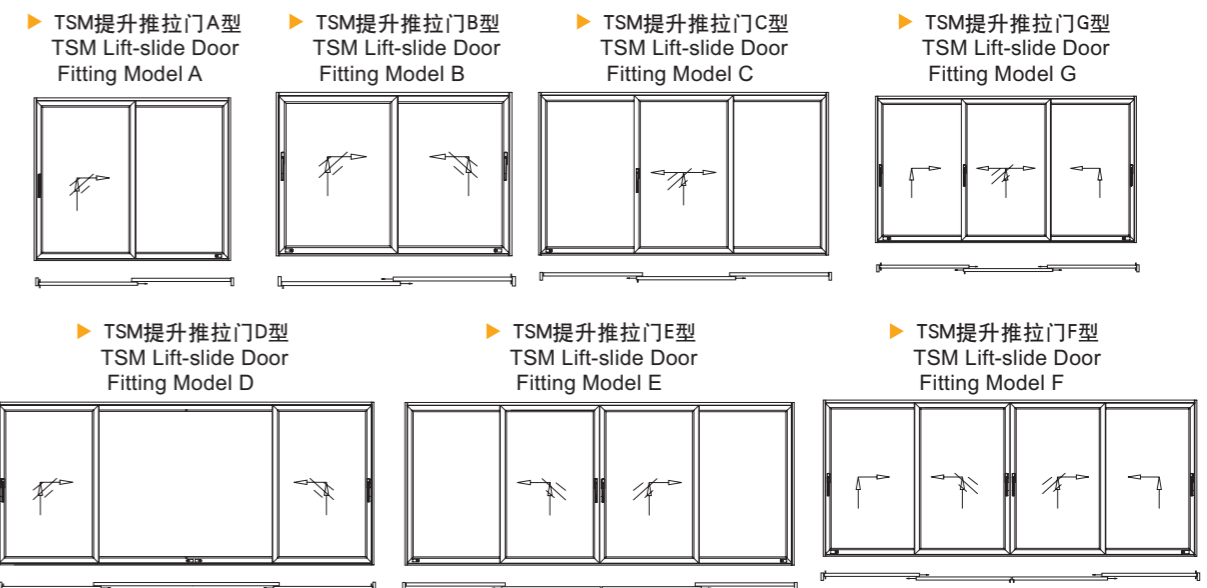


● TSM02提升推拉门技术特点分析:

- 1、占地空间小，门扇开启扇大
 - 提升推拉门同普通推拉门特点一致，在开启时占据的空间小。
 - 开启扇的几何尺寸大。
 - 例如：单趟推拉门最大适合的洞口宽度可以达到约6500mm，扇宽最大可以达到3000mm。
- 2、提升门应用广泛
 - 适用于阳台门、阳光房门、隔断门等。
- 3、运动灵活
 - 开启力小，开启后轻松推拉。
- 4、防盗性好
 - 采用防盗定位块和传动器的配合。
- 5、开启扇重量大
 - 开启扇重量极限300kg，开启扇重量由承重轮和数量决定。
- 6、门扇任意位置固定
 - 可实现开启门扇的任意位置的固定，既可以单推，又可以互推。
- 7、超低的门槛设计，出入时畅通无阻
- 8、密封性高
 - 锁闭时可实现狭缝通风，使通风和防盗同时兼顾。
 - 采用胶条密封，具有优良的气密性。

● Technical features of lift-slide door

- 1, Small occupied space but large opening space.
 - The character of lift-slide door is same with ordinary sliding door that both occupy small space when opening.
 - large geometric size of opening sash .
- 2, Widely-used series
 - Suitable for balcony, sunshine-room, and partition door etc.
- 3, Flexible operation
 - Easily opening and then slide smoothly.
- 4, Excellent anti-theft function
 - Adopt both Anti-theft positioning block and transmitter.
- 5, Heavy opening sash
 - The weight of opening sash depends on the load capacity and number of bearing rollers.
- 6, Door leaf fixed at any position
- 7, Ultra-low threshold design, access to open
- 8, High seal function
 - locking with slit ventilation, both ventilation and security achieved.
 - With quality strip seals, It has excellent air tightness.



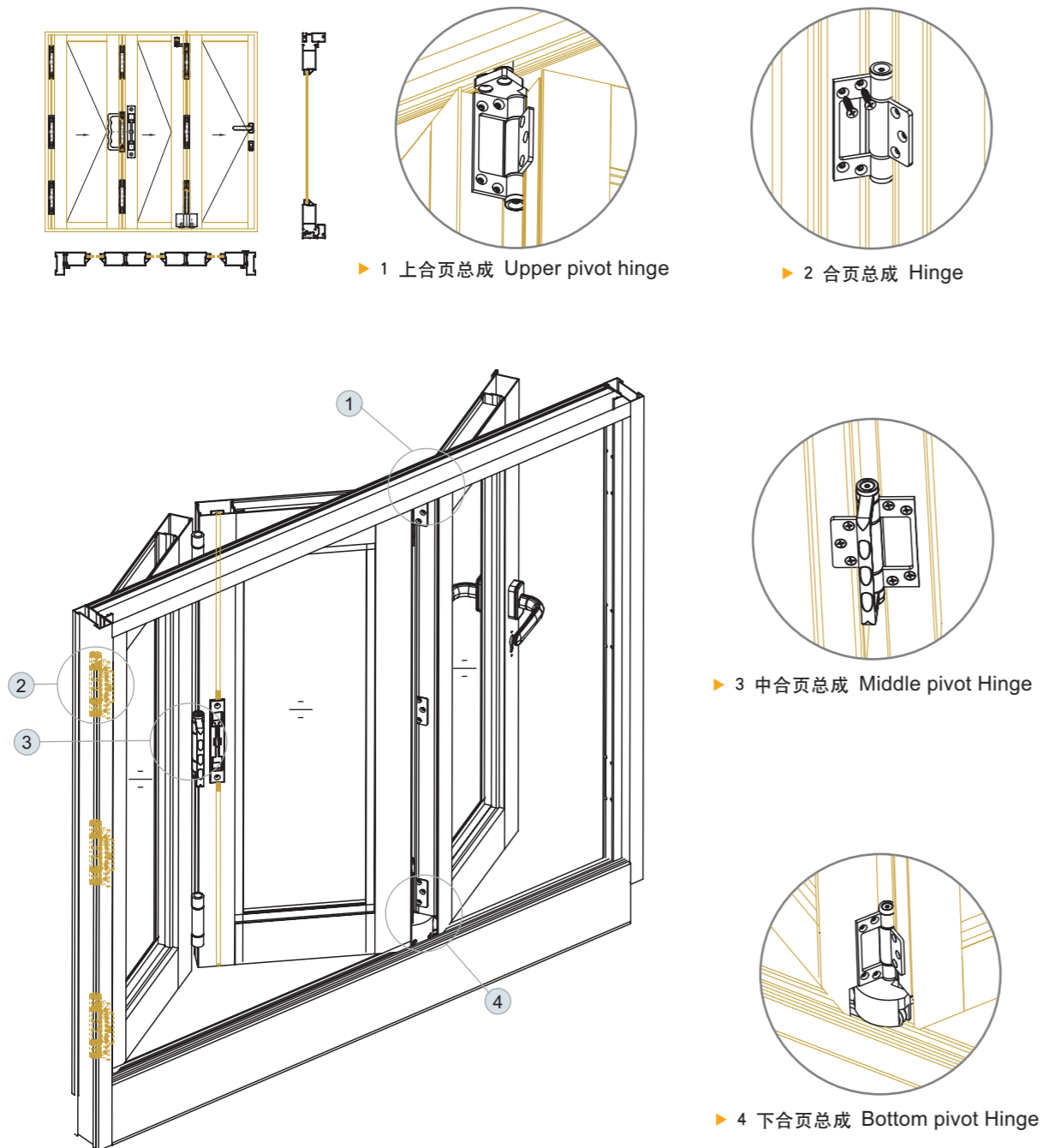
► 配置方案 Configuration scheme



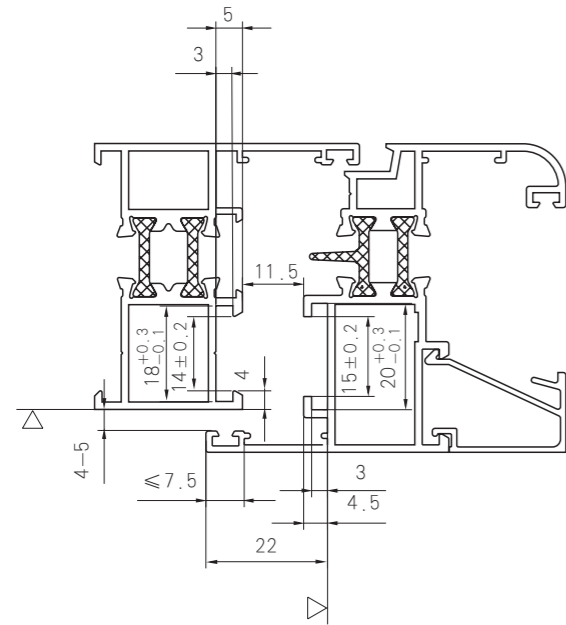
- 适用于阳台，商场等，开启面积大。
- 隐藏式下轨承重，灵活轻便，便于清洁维护。
- 可按配置方案灵活组合，满足不同客户需要。
- Big opening plane which is Suitable for balcony and supermarket
- Hidden bottom track bears the weight. It's easy and convenient to clean and maintain.
- Flexible configuration combination to meet different requirements.

● 轻型折叠门ZDMQ01、330型五金配件配置表
ZDMQ01 Light Sliding Door Fittings Model 330

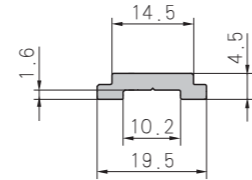
序号 No.	图号 Code	产品名称 Description	数量 QTY	备注 Remark
1	ZDMQ01-00	合页总成 Hinge Pivot	6	
2	ZDMQ01-S00	上合页总成 Upper Hinge	1	
3	ZDMQ01-Z00	中合页总成 Middle Pivot Hinge	1	
4	ZDMQ01-X00	下合页总成 Bottom Pivot Hinge	1	
5	3585A	锁体 Lock Body	1	
6	35/35B镍	双向锁心 Cylinder	1	
7	CZM08-08	锁芯座 Striker	2	配CZM08-07锁芯壳 Apply with cylinder cover CZM08-07
8	CZM16	执手 Handle	1	配8x8x75方轴 Apply with 8x8x75 square tongue
9	CX06	双向插销 Flush Bolt	1	



Matching Dimension for European standard(20mm groove) 标准欧式20槽口配合尺寸



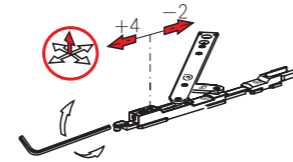
铝型材传动铝条截面尺寸
Sectional dimension of the aluminum transmission strip for aluminum profile



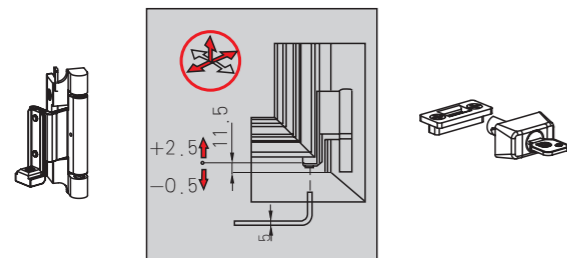
注：标准欧式20槽口尺寸均为表面处理（电镀、喷粉）后的完成尺寸。
Note: all the finished sizes of European standard (20mm groove) are surface treated (plating, powder)

内平开下悬及下悬内平开部份五金配件特点及装配示意 The features and assembly diagram of partial hardware accessories on inner and tilt-turn window

-
- 转角器是通过多条不锈钢片构成的直角 转角器，可以把来自执手的传动力90° 转向至门窗两边锁柱位，其一端装有可 调校锁点，偏心距为±1，可任意调节门窗关闭的气密性、水密性和窗锁紧度。
 - 转角器选用活动锁点。
 - The right angle corner device is composed by several stainless steel sheets. So the transmission power with 90 degrees can be transferred to the locking points on two sides of windows or doors. Either has adjustable locking point, and the eccentricity is ±1, so it can adjust air tightness, water tightness and window locks degree when closing doors and windows.
 - Movable locking point is used for transmission corners.



- 我公司生产的斜拉杆严格按照欧标20槽的尺寸规定，通用性强，结构严谨，外观优美、轻巧，安装方便。
- 窗扇掉角现象可通过内六角扳手调节，安装预留调节间隙±3，大于一般国内外同类产品。
- In strict accordance with European standard (20mm groove), the company produces transmission rods with precise design, elegant appearance and light and handy merits.
- Hexagon wrench can be used to fasten the sash in the case of loose. The gap should be ±3mm during installation which is greater than products of the same kind both home and abroad.



- 下合页通过内六角扳手调节窗扇的高低及左右两侧间隙。
- Bottom hinge adjust the height and side gap between the frame and sash by means of hexagonal wrench.

- 儿童锁设计可在取走钥匙后，窗扇开启仅保留下悬（内倒）功能，而不能平开，在满足室内空气保持流通的同时，可对居家儿童进行有效安全防护。
- 我独立式的儿童安全锁防护设计，不但能在取得完美的 儿童安全防护的同时，还能刚性的增强整窗的水密性、气密性以及保温性。
- 独立式的儿童安全锁防护设计，结构简单，功能优异，安装简易，方便。采用优秀的叶片自复位功能锁芯，外形美观。
- The opening sash can keep tilting after the key is taken from the children lock, but it can't be turned inward. So it will keep the rooms ventilate, and also protect children at home effectively.
- Safety locks for children are designed to be unattached to ensure the safety of children and enhance the water tightness, air tightness, and heat preservation as well.
- And the lock is characteristic with simple structure, excellent performance, easy and convenient installation, and elegant appearance. It adopts fine cylinder with self-righting leaf.

European Standard



建筑窗用内平开下悬五金系统 GB/T24601-2009

定义：通过操作执手，可以使窗具有内平开、下悬、锁闭等功能的五金系统。

主要性能指标：

- 1、开启状态下的启闭力不大于50N，下悬状态下启闭力不大于：扇重为60kg~130kg时，180N；130kg以上，230N；60kg以下，150N。反复启闭15000个循环，所有操作功能正常。
 - 2、锁闭部件强度：锁点、锁座承受1800±5%N破坏力后，各部件应无损坏。
- 使用范围：所有欧标20槽型材可用。

Tilt-turn window system GB/T24601-2009

Definition:

The window can be inward opened, bottom hung, and locked by operation of the handle.

Main technical features:

1. In opening state, the operation force is less than 50N. In tilt-turn state, the operation force is less than 180N while the sash weight is 60kg - 130kg. Less than 230N while sash weight is over 130kg. Less than 150N while sash weight is less than 60kg. 15000 cycles is tested.
2. Strength of lock portion: Lock point and lock holder's works well under 1800N.

Scope of application:

Suitable for all European standard (20mm groove) profile.

► 配置方案 Configuration scheme

● 内平开下悬NXC01组件
Tilt and Turn NXC01 configuration

序号 No.	产品名称 Description	产品编号 Code	数量 QTY	备注 Remark
1	转角器 Corner Device	A · CQ01	1	
2	防误器 Anti-misoperation Device	A · CFB01	1	
3	传动杆 Transmission Rod	A · CC01	1	
4	内倒锁件 Overturn lock parts	A · CG01	1	
5	欧槽锁座 Striker	A · CZ01-03	2	
6	防提锁座 Locking Plate	A · CZ01-02	1	
7	支撑座 Supporting Block	A · CZ01-04	1	
8	爬升块 Elevating Block	A · CZ01-01	1	
9	下合页 Bottom Pivot Hinge	A · CJ01-X	1	
10	上合页 Upper Pivot Hinge	A · CJ01-S	1	见图上说明 See above drawing
11	斜拉杆 Slanting Connection Rod	A · CL01	1	根据窗型选用 Based on the window
12	执手 Handle	CZH22	1	
13	欧槽定位撑 Limiter Stay	DO	1	常规10、12寸 10,12 inches is available
14	胶条 Rubber Seal	Weather strip		根据型材而定 Based on the profile

● 内平开下悬NXC01组件
The selection for Slanting Transmission Rod

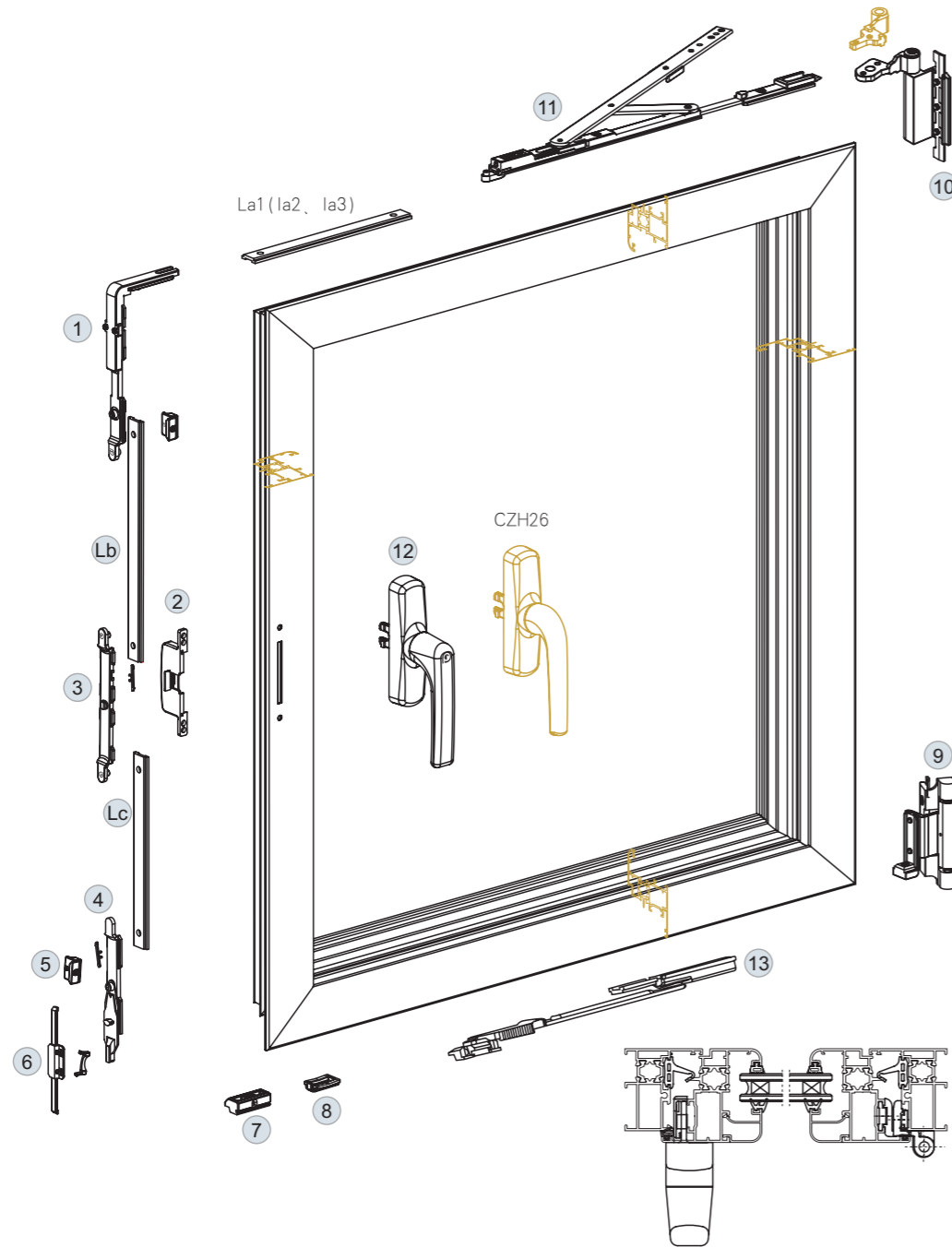
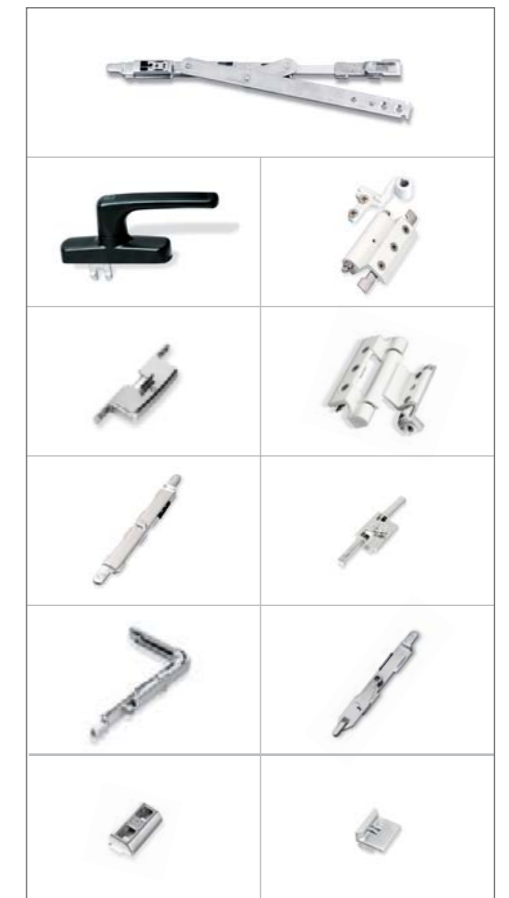
序号 NO.	型号 Type	斜拉杆编号 Code	窗扇宽度适用范围 The width of sash	配件总重量 Total weight
1	NXC01	A · CL01	600mm~900mm	1.5335kg
2	NXC02	A · CL02	500mm~700mm	1.368kg
3	NXC03	A · CL03	400mm~600mm	—

● 注意事项

1. 本产品适用于欧标20槽口铝合金型材。
2. 窗户的框与扇的组角连接必须牢固可靠，可选用小转角器增加锁点。
3. 本示意图共含三款五金配件，除斜拉杆和上合页连接角外，其余通用。斜拉杆编号及窗宽度尺寸适用范围见上表。
4. 请正确选用口型合理，材料优质的胶条。
5. 铝连杆尺寸La、Lb、Lc请根据窗扇尺寸正确计算。

● Attention

1. Suitable for European standard 20mm groove aluminum profile;
2. The corner connection of frame and sash must be firm. And small corner connectors can be used to increase locking points;
3. Three hardware fittings are in this picture. The others can be used widely except slanting connector rod and upper hinge. The codes for slanting connector rod and width range of windows are in the table above;
4. Better to use suitable and high quality rubber gasket.
5. Pls correctly select the aluminum connecting rods La, Lb, Lc according to the window size, detail calculating formula supplied on attachment 1.



Conceal Hinge
Tilt-turn Window System
隐形合页内平开下悬铝窗组件YNXC02

Conceal Hinge
Tilt-turn Window System
隐形合页内平开下悬铝窗组件YNXC02

► 配置方案 Configuration scheme

● 隐形合页内平开下悬铝窗YNXC02组件
(Hidden inward opening hinge) Tilt and Turn NXC02 configuration

序号 No.	产品名称 Description	产品编号 Code	数量 QTY	备注 Remark
1	转角器 Corner Device	A · CQ01	1	
2	防误器 Anti-misoperation Device	A · CF01	1	
3	传动杆 Transmission Rod	A · CC01	1	
4	内倒锁件 Overturn Supporter	A · CG01	1	
5	欧槽锁座 Striker	A · CZ01-03	2	
6	防提锁座 Locking Plate	A · CZ01-02	1	
7	支撑座 Supporting Block	A · CZ01-04	1	
8	爬升块 Elevating Block	A · CZ01-01	1	
9	下合页总成 Bottom Pivot Hinge	YJB02-00-XR	1	
10	上合页总成 Upper Pivot Hinge	YJB02-00-SR	1	选用件 Optional
11	执手 Handle	CZH22	1	

● 上合页尺寸适用表
The selection for Slanting Transmission Rod

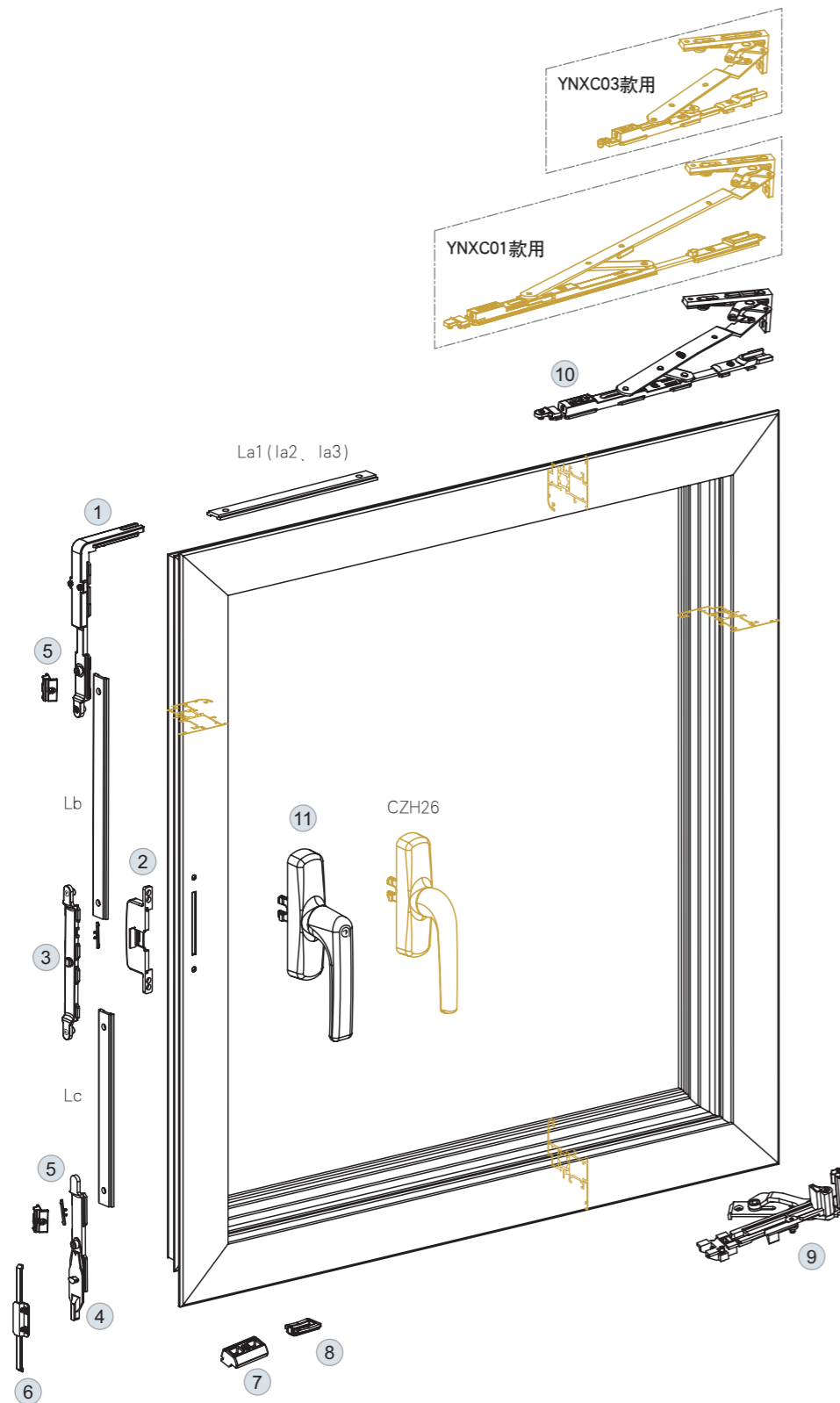
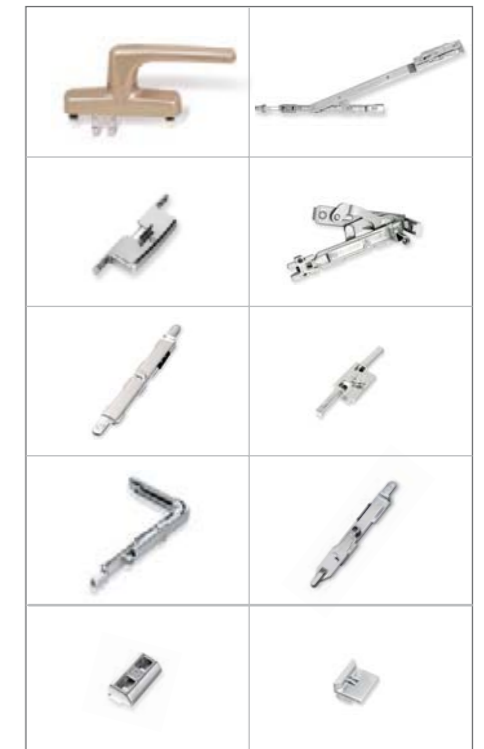
序号 NO.	型号 Type	斜拉杆编号 Code	窗扇宽度适用范围 The width of sash
1	YNXC01	YJB01-00-SR	800mm-1100mm
2	YNXC02	YJB02-00-SR	600mm-900mm
3	YNXC03	YJB02-00-SR	500mm-700mm

● 注意事项

1. 本产品适用于欧标20槽口铝合金型材。
2. 窗户的框与扇的组角连接必须牢固可靠，可选用小转角器增加锁点。
3. 本示意图共含三款五金配件，除斜拉杆和上合页连接角外，其余通用，斜拉杆编号及窗宽度尺寸适用范围见上表。
4. 请正确选用口型合理，材料优质的胶条。
5. 铝连杆尺寸La、Lb、Lc请根据窗扇尺寸正确计算。

● Attention

1. Suitable for European standard 20mm groove aluminum profile;
2. The corner connection of frame and sash must be firm. And small corner connectors can be used to increase locking points;
3. Three hardware fittings are in this picture. The others can be used widely except slanting connector rod and upper hinge. The codes for slanting connector rod and width range of windows are in the table above;
4. Better to use suitable and high quality rubber gasket.
5. Pls correctly select the aluminum connecting rods La, Lb, Lc according to the window size, detail calculating formula supplied on attachment 1.



► 配置方案 Configuration scheme

● 下悬内平开XNC01组件
Tilt and Turn XNC01 configuration

序号 No.	产品名称 Description	产品编号 Code	数量 QTY	备注 Remark
1	转角器 Corner Device	A · CQ01	1	
2	防误器 Anti-misoperation Device	A · CFB01	1	
3	传动杆 Transmission Rod	A · CC01	1	
4	欧槽锁座 Lock Holder	A · CZ01-03	2	
5	内倒内开锁杆 Locking Rod	B · CG01	1	
6	内倒内开锁块 Locking Block	B · CZ01	1	
7	支撑座 Supporting Block	A · CZ01-04	1	
8	爬升块 Elevating Plastic Block	A · CZ01-01	1	
9	下合页 Bottom Pivot Hinge	A · CJ01-X	1	
10	上合页 Upper Pivot Hinge	A · CJ01-S	1	见图上说明 See above drawing
11	斜拉杆 Slanting Transmission Rod	B · CL01	1	按窗型宽度选用 Based on the width of the window
12	执手 Handle	CZH22	1	
13	儿童锁 Lock for Children Safety	A · CS01	1	选用 Optional
14	欧槽定位撑 Limiter Stay	DO	1	常规10、12寸 10、12inchs is available
15	胶条 Rubber Seal			根据型材而定 Based on the profile

● 斜拉杆选用表
The selection for Slanting Transmission Rod

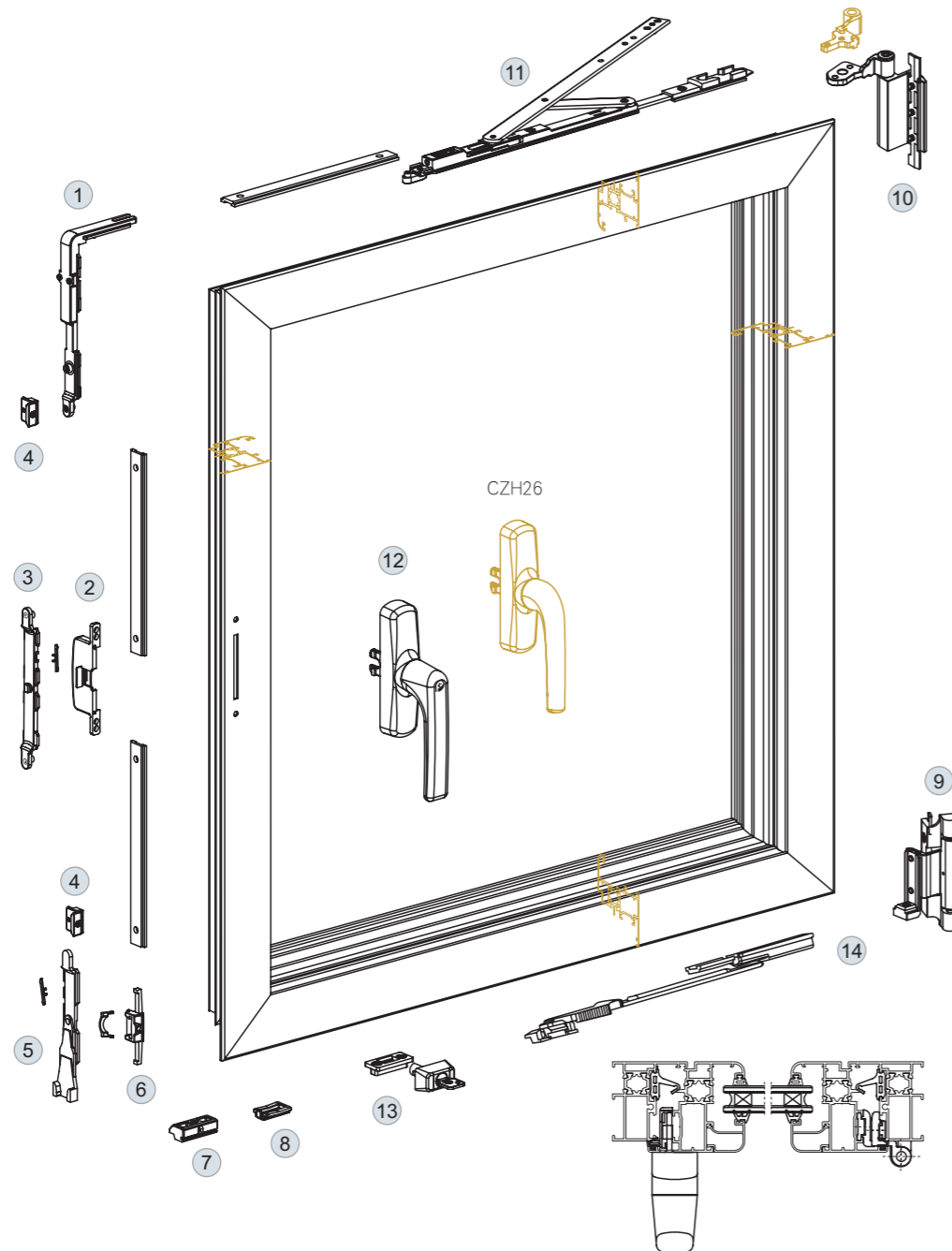
序号 NO.	型号 Type	斜拉杆编号 Code	窗扇宽度适用范围 The width of sash	配件总重量 Total weight
1	NXC01	B · CL01	600mm~900mm	1.5335kg
2	NXC02	B · CL02	500mm~700mm	1.368kg
3	NXC03	B · CL03	400mm~600mm	

● 注意事项

1. 本产品适用于欧标20槽口铝合金型材。
2. 窗户的框与扇的组角连接必须牢固可靠，可选用小转角器增加锁点。
3. 本示意图共含三款五金配件，除斜拉杆和上合页连接角外，其余通用。斜拉杆编号及窗宽度尺寸适用范围见上表。
4. 请正确选用口型合理，材料优质的胶条。
5. 铝连杆尺寸La、Lb、Lc请根据窗扇尺寸正确计算。

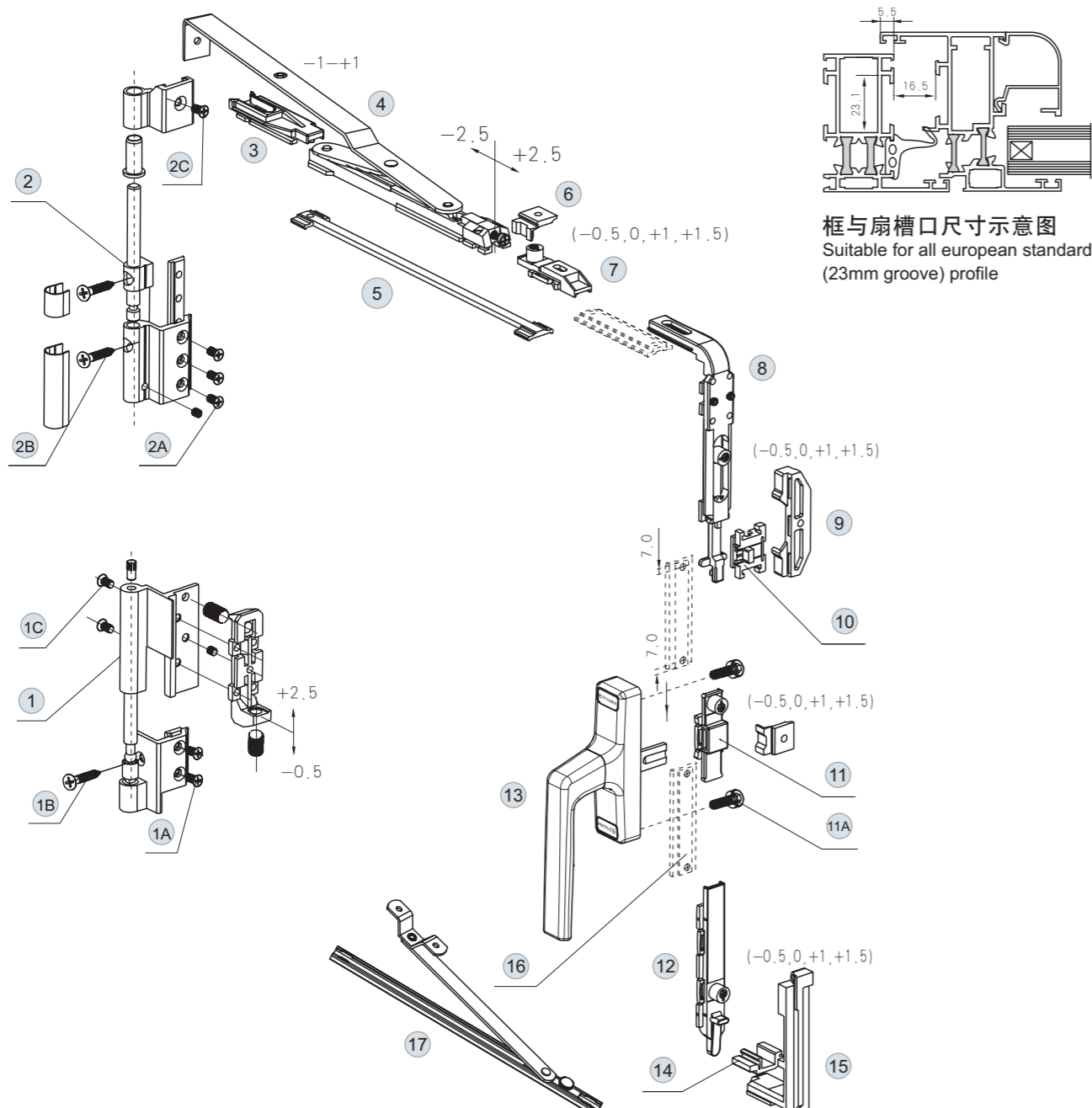
● Attention

1. Suitable for European standard 20mm groove aluminum profile;
2. The corner connection of frame and sash must be firm. And small corner connectors can be used to increase locking points;
3. Three hardware fittings are in this picture. The others can be used widely except slanting connector rod and upper hinge. The codes for slanting connector rod and width range of windows are in the table above;
4. Better to use suitable and high quality rubber gasket.
5. Pls correctly select the aluminum connecting rods La, Lb, Lc according to the window size, detail calculating formula supplied on attachment 1.



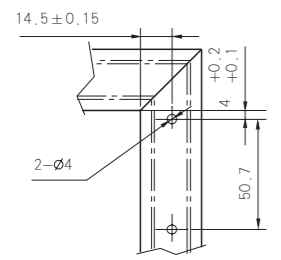
European Standard
(23mm groove)Tilt-turn Window System
欧标节能窗内平开下悬组件HCBG11

European Standard
(23mm groove)Tilt-turn Window System
欧标节能窗内平开下悬组件HCBG11

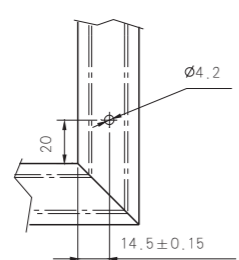


框与扇槽口尺寸示意图
Suitable for all european standard
(23mm groove) profile

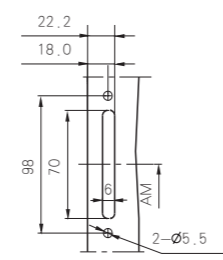
● 上部合页框边自攻螺钉位
The tapping screw frame position of upper hinge



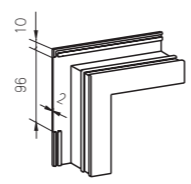
● 下部合页框边自攻螺钉位
The tapping screw frame position of bottom hinge



● 执手处型材开孔示意图
Profile hole opening diagram of the handle area



● 为安装上部合页加工的缺口(只将槽口铣平)
The processing notch for installing upper hinge



► 配置方案 Configuration scheme

● HCBG11内开内倾组件
The sash and frame groove dimension diagram

序号 No.	产品编号 Code	产品名称 Description	数量 QTY	备注 Remark
1	HND2005	下部合页 Bottom Pivot Hinge	1	框、扇边分左右 Left and right version
2	HND2004	上部合页 Upper Pivot Hinge	1	框、扇边分左右 Left and right version
3	HND2014	前臂 Front Arm	1	分左右 Left and right version
4	HND2001	上拉杆 Upper Pulling Rod	1	
5	HND2015	拉杆 Drag Pulling Rod	1	
6	HND2002	小锁座 Small Striker	2	
7	HND2012	调节杆 Adjustable Pole	1	
8	HND2003	传动转角器 Transmission Corner	1	
9	HND2008	大锁座 Big Striker	1	
10	HND2013	防误器 Anti-misoperation Device	1	左右分方向装配 Left and right version
11	HND2006	转换器 Transmission Device	1	
12	HND2007	翻转支撑块 Rotational Support Block	1	
13	HND2011	执手 Handle	1	
14	HND2010	爬升胶块 Elevating Plastic Block	1	分左右 Left and right version
15	HND2009	翻转支撑块 Rotational Support Block	1	分左右 Left and right version
16	CG05	23槽铝杆 Aluminum Rod	3	
17	DG10F	14槽定位撑款 Limiter Stay	1	常规10、12寸 Normal 10, 12inch
18		胶条 Rubber Seal		根据型材而定 Based on profile

- HND2001上拉杆: 窗宽度范围600mm至1300mm。
- 当宽度由1300mm至1600mm必须加装额外辅助支撑。
- 宽度: 上限1600, 下限475, 高度: 上限2400, 下限500
- 扇宽不能超过扇高的1.5倍。最大允许扇重: 130kg

- 注意事项:
1. 窗户的框与扇的组角连接必须牢固可靠。
 2. 窗框与窗扇槽口平面上的尺寸应保证与上图的槽口配合尺寸一致。
 3. 内开内倾组件必须配合23槽限位撑使用, 以达到最佳效果。
 4. 请正确选用口型合理、材料优质的密封胶条, 它是令五金组件耐久使用的重要条件。

- HND2001 upper link: frame width range from 600mm to 900mm)
- Extra assistant limiter must be installed when the frame width come to 1300mm to 1600mm.
- Width: 475 ≤ width ≤ 1600, height: 500 ≤ height ≤ 2400.
- The sash width could not exceed its height by 1.5 times. Maximum sash weight: 130kg standard range of window& door.

- Attention
- The corner combination between sash and frame must be solid and reliable.
 - The groove size of sash and frame in a plane should keep up with the matching size which showed in the above table.
 - the tilt-turn device must apply with 23groove limiter stay to achieve the best effect.
 - please correctly select reasonable shape and excellent material sealing strip to promote the durability of hardware accessories.

European Standard Inward Opening Double Direction Locking System 欧标节能窗内平开双向锁组件HCBG03



European Standard Inward Opening Double Direction Locking System 欧标节能窗内平开双向锁组件HCBG03

配置方案 Configuration scheme

欧标内开双向锁配置(销钉式)HCBG03 HCBG03 European standard inward opening double direction locking components

序号 No.	产品名称 Description	产品编号 Code	锁2点 2 locking points	锁3点 3 locking points	锁4点 4 locking points	锁5点 5 locking points	锁6点 6 locking points	
1	CZH11A执手 CZH11A Handle	CZH11A	1	1	1	1	1	
2	欧槽锁座 Striker	CKG05	2	3	4	5	6	
3	09连接杆A款 09 Linking Rod	CL06A	2	2	2	2	2	
4	20槽双向转换器 Bidirectional Converter	CQ07	1	1	1	1	1	
5	JX42(可选件) 08AHinge	JX42	2	2	2	2	2	
6	20槽爬升胶块 Elevating Plastic Block	PP01	1	1	1	1	1	
7	20槽爬升锁块 Elevating Lock Block	CKC03	1	1	1	1	1	
8	20槽锁钉固定块 Lock Point Fixed Block	CL05		1	2	1	2	
9	20槽转角器 Corner Device	CC04				2	2	
10	欧槽限位支撑 Friction Stay	DO	1	1	1	1	1	
11	中间锁扣 Middle Lock Buckle	PK01	大窗户用 Used on big window					
12	胶条 Rubber Seal		根据型材选用 Selected based on the profile					

注意事项:

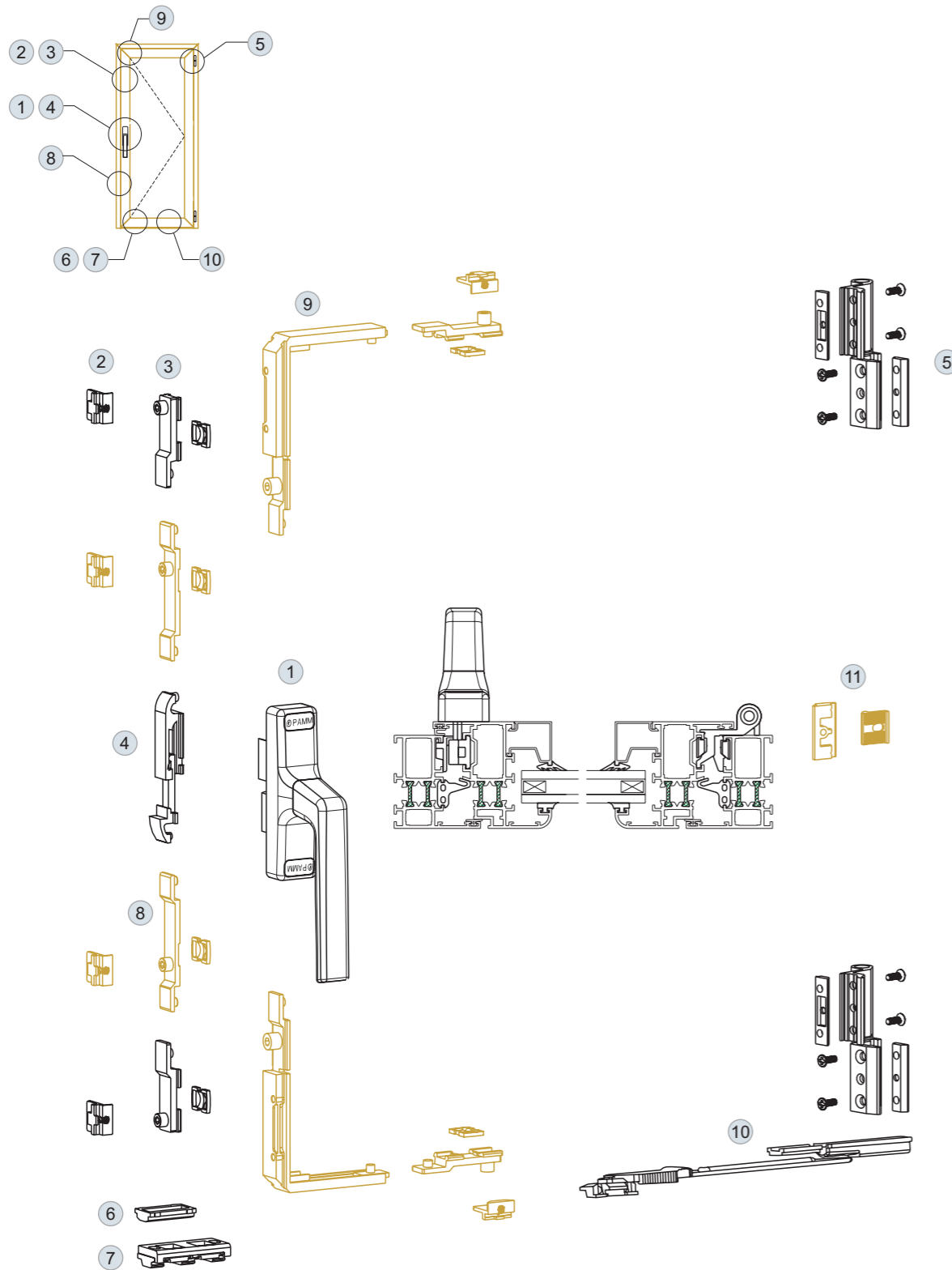
- 1、窗户的框与扇的角连接必须牢固可靠。
- 2、本配置适用于标准欧式20槽口。
- 3、以上棕色图形五金件为大窗户选配件。
- 4、内开组件必须配合欧槽限位撑(DO)使用,以达到最佳效果。
- 5、本配置谨供参考:有多款执手可供选择,锁点可按客户要求配置。
- 6、请正确选用口型合理、材料优质的密封胶条,它是令五金组件耐久使用的重要条件。

Attention

- 1, The corner connection of frame and sash must be firm.
- 2, Suitable for european standard (20mm groove).
- 3, Items in orange are for large windows;
- 4, This set must be used together with restrictor (do) to attain perfect effect
- 5, This configuration is only for reference: various types of handles are available. The locking points are flexible based on your requirements.
- 6 Please use suitable and high quality rubber gasket to extend the service lifetime of the hardware configuration.

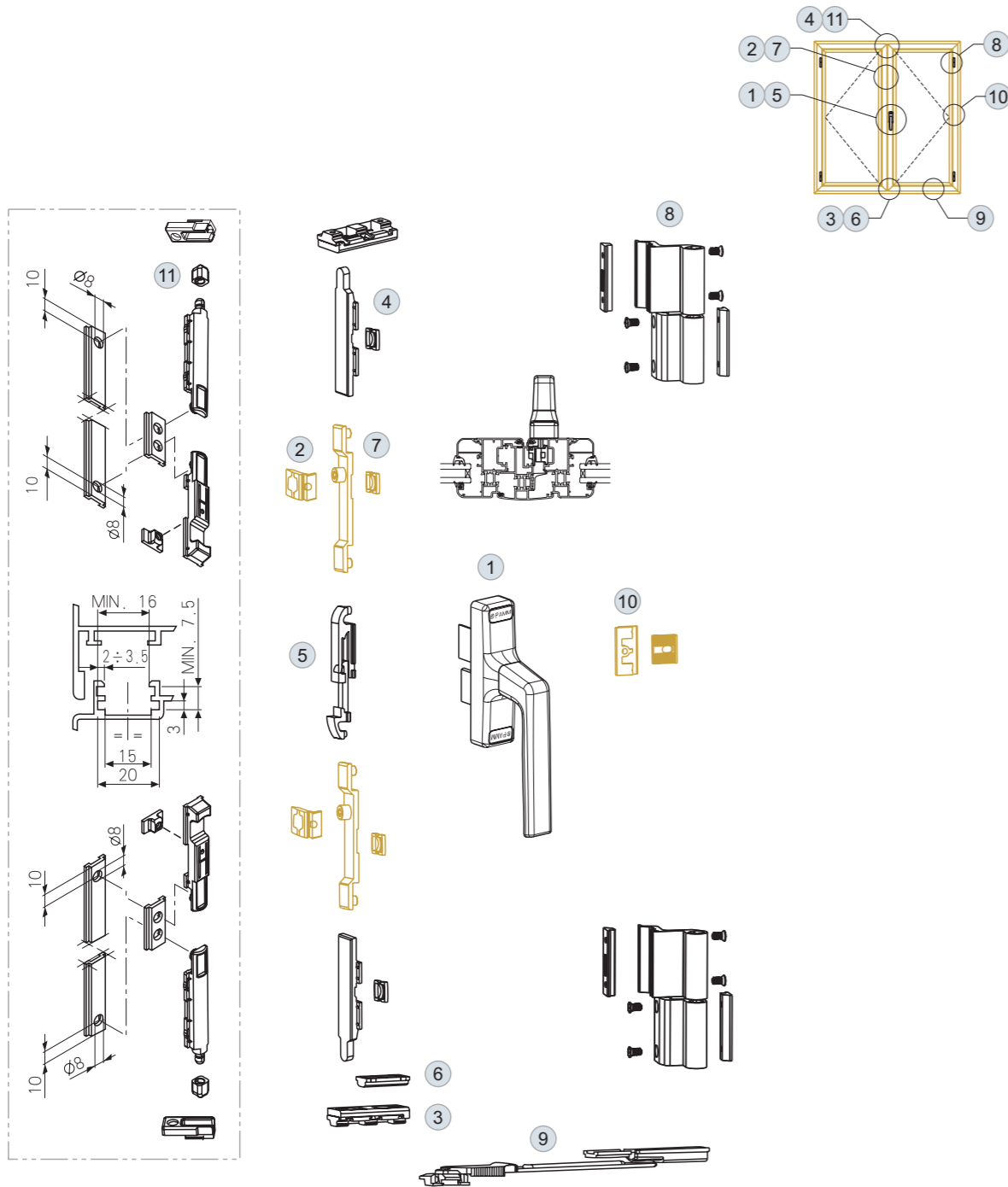


建设部门窗配套委员会推荐产品
The recommended products
by the window accessories committee
of construction department



European Standard Inward Opening
Double Direction Locking System
欧标节能窗内平开双向锁组件HCBG04

European Standard Inward Opening
Double Direction Locking System
欧标节能窗内平开双向锁组件HCBG04



配置方案 Configuration scheme



The recommended products by the window accessories committee of construction department
建设部门窗配套委员会推荐产品。

欧标内开双向锁配置(插销式)HCBG04
HCBG04 European standard inward opening double direction locking components

序号 No.	产品名称 Description	产品编号 Code	锁2点 2 locking points	锁3点 3 locking points	锁4点 4 locking points
1	CZH11A执手 CZH11A Handle	CZH11A	1	1	1
2	欧槽锁座 Lock Holder	CKG05		1	2
3	20槽爬升锁块 Elevating Lock Block	CKC03	2	2	2
4	20槽插销 Flush Bolt	CX03	2	2	2
5	20槽双向转换器 Bidirectional Converter	CQ07	1	1	1
6	20槽爬升胶块 Elevating Plastic Block	PP01	1	1	1
7	20槽锁钉固定块 Lock Point Fixed Block	CL05		1	2
8	JX42(可选件) Hinge	JX42		2	2
9	欧槽限位支撑 Friction Stay	DO	1	1	1
10	中间锁扣 Middle Lock Buckle	PK01	大窗户用 Used on big window		
11	门暗插 Flush Bolt	MX02	2付 pair	注:对开门窗专用 Note: folio door only	
12	胶条 Rubber Seal	根据型材而定 Select based on the profile			

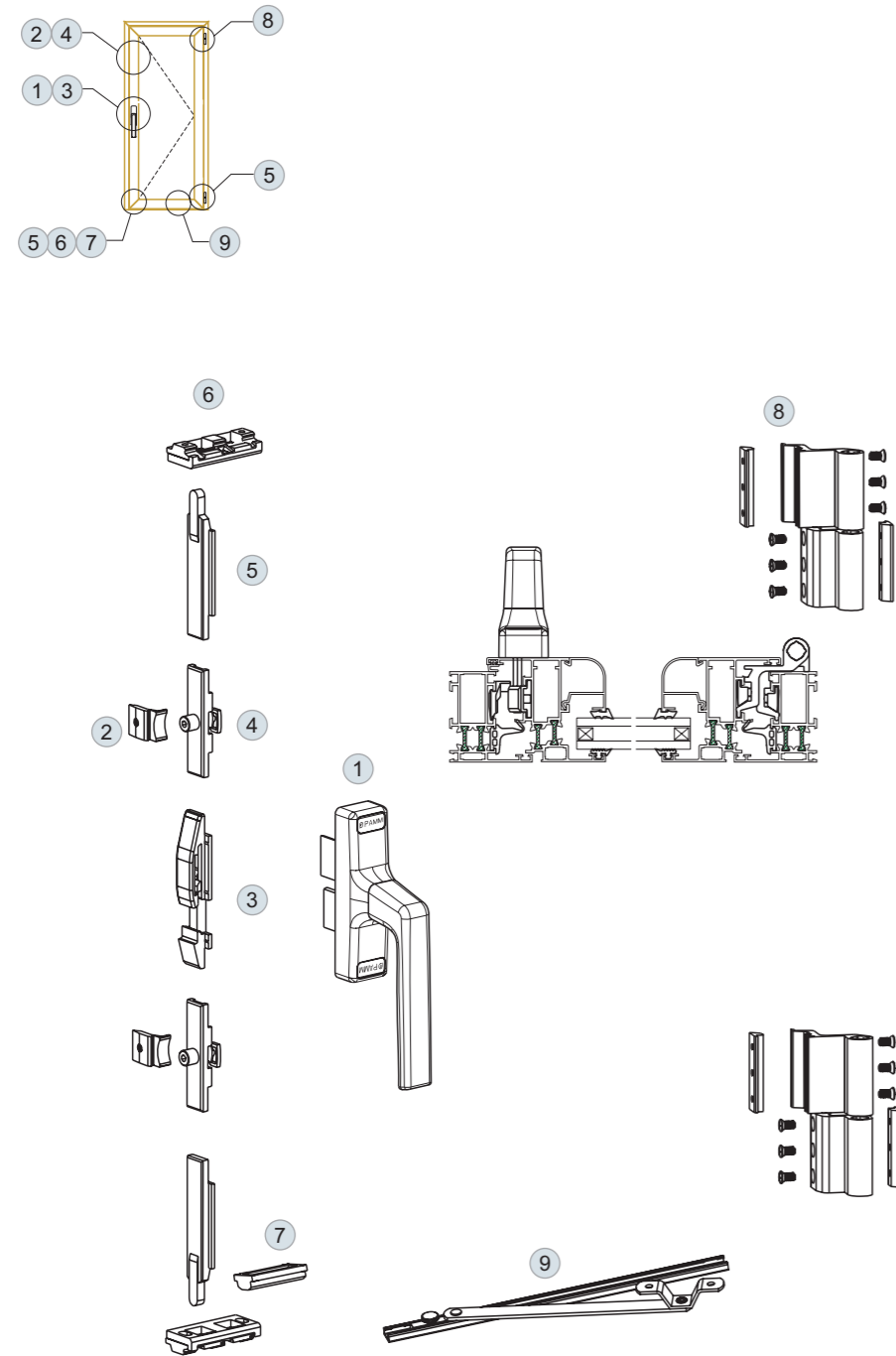
注意事项:

- 1、窗户的框与扇的角连接必须牢固可靠。
- 2、本配置适用于标准欧式20槽口。
- 3、以上桔色图形五金件为窗户选配件。
- 4、内开组件必须配合欧槽限位撑(DO)使用，以达到最佳效果。
- 5、本配置谨供参考：有多款执手可供选择，锁点可按客户要求配置。
- 6、虚线框内为假中挺对开窗用配套件。
- 7、请正确选用口型合理、材料优质的密封胶条，它是令五金组件耐久使用的重要条件。

Attention

- 1, The corner connection of frame and sash must be firm.
- 2, Suitable for European standard (20mm groove).
- 3, Items in orange are selective.
- 4, This set must be used together with limiter stay (DO) to attain perfect effect
- 5, This configuration is only for reference: various types of handles are available. The locking points are flexible based on your requirements.
- 6, Items in broken line are for false mullion side hung windows.
- 7, Please use suitable and high quality rubber seal to extend the service lifetime of the hardware configuration.

European Standard Inward Opening
Double Direction Locking System
欧标节能窗内平开双向锁组件HCBG05



European Standard Inward Opening
Double Direction Locking System
欧标节能窗内平开双向锁组件HCBG05

► 配置方案 Configuration scheme



● 23槽 (23mm groove) 内平开双向多点锁配置 (HCBG05)
23mm groove inward opening double direction locking system HCBG05

序号 No.	产品名称 Description	产品编号 Code	数量 QTY	备注 Remark
1	CZH11B执手	CZH11B	1	
2	23槽锁座	CKG14	2	
3	23槽双向转换器	CQ08	1	
4	23槽锁钉固定块	CL07	2	
5	23槽插销	CX04	2	
6	23槽爬升锁块	CKC04	2	
7	23槽爬升胶块	PP02	1	
8	JX14合页	JX14	2	可选配 Optional
9	14槽不锈钢限位撑F款	DG'F	1	
10	胶条	Rubber Seal		根据型材而定 Based on the profile

● 注意事项:

- 1、窗户的框与扇的组角连接必须牢固可靠。
- 2、本配置适用于标准欧式23槽口。
- 3、内开组件必须配合23槽限位撑使用，以达到最佳效果。
- 4、本配置仅供参考：锁点可按客户要求配置。
- 5、请正确选用口型合理、材料优质的密封胶条，它是令五金组件耐久使用的重要条件。

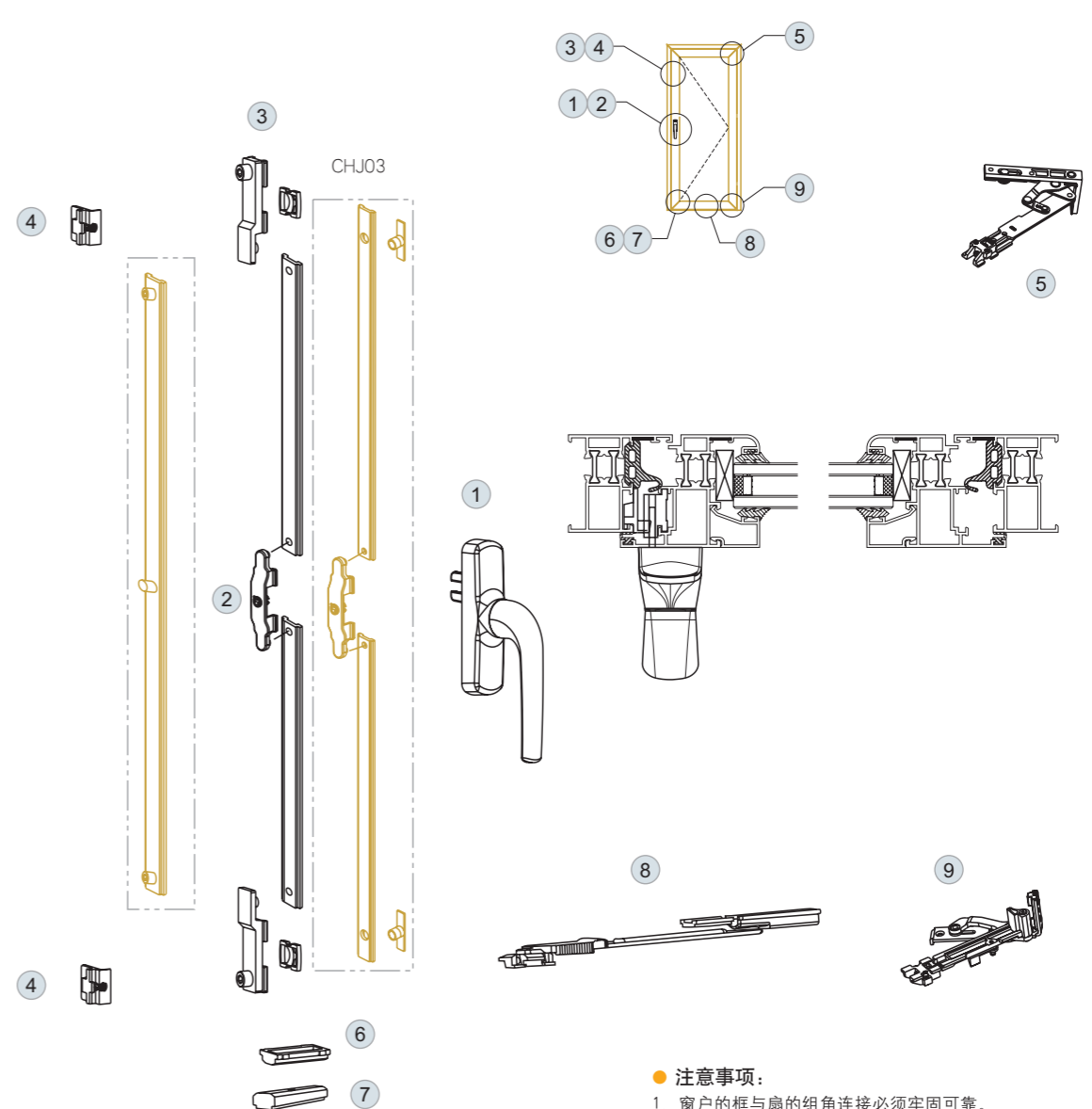
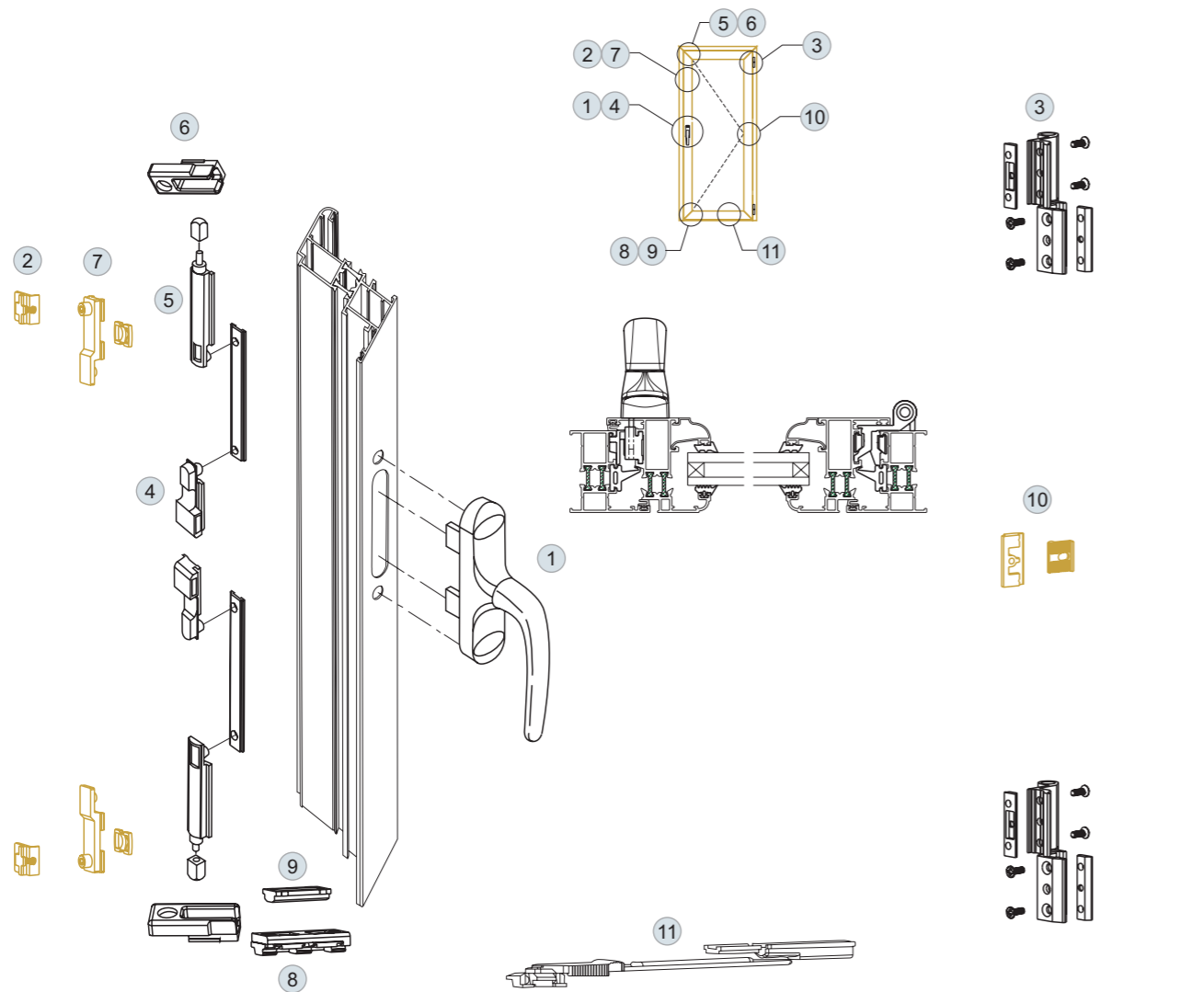
● Attention

- 1, The corner connection of frame and sash must be firm.
- 2, Suitable for European standard (23mm groove).
- 3, This set must be used together with European limiter stay to attain perfect effect.
- 4, This configuration is only for reference: The locking points are flexible based on your requirements.
- 5, Please use suitable and high quality rubber gasket to extend the service lifetime of the hardware configuration.

European Standard Inward Opening Double Direction Locking System 欧标节能窗内平开双向锁组件HCBG06



European Standard Inward Opening Single Direction Locking System 欧标节能窗内平开单向锁组件



● 欧标内开双向锁配置HCBG06 HCBG06 European Standard Inward Opening Double Direction Locking System

序号 No.	产品名称 Description	产品编号 Code	天地锁 Up-down lock	锁2点 2 directions lock	备注 Remark
1	GR50执手 Handle	CZH05	1	1	
2	欧槽锁座 Lock Holder	CKG05		2	
3	JX42合页 Hinge	JX42	2	2	
4	转换器 Transmission Device	CQ03	1	1	
5	天地叉 Flush Bolt	CX02	2		
6	GR50插销座 Flush Bolt Holder	CKC02	2		
7	09连接杆A款 09 Linking Rod	CL06A		2	
8	爬升胶块 Elevating Locking Block	CKC03	1	1	
9	爬升胶块 Elevating Plastic Block	PP01	1	1	
10	中间锁扣 Middle Lock	PK01	1	1	大窗户选用件 Used on big window
11	欧槽定位撑 Friction Stay	DO	1	1	
12	胶条 Rubber Seal				根据型材而定 Based on profile

● 注意事项:

1. 窗户的框与扇的组角连接必须牢固可靠。
2. 本配置适用于标准欧式20槽口。
3. 以上桔色图形五金件为窗户选配件。
4. 内开组件必须配合欧槽限位撑(DO)使用, 以达到最佳效果。
5. 本配置谨供参考: 锁点可按客户要求配置。
6. 请正确选用口型合理、材料优质的密封胶条, 它是令五金组件耐久使用的重要条件。

● Attention

- 1, The corner connection of frame and sash must be firm.
- 2, Suitable for European standard (20mm groove).
- 3, Items in orange are selective.
- 4, This set must be used together with limiter stay (DO) to attain perfect effect.
- 5, This configuration is only for reference: The locking points are flexible based on your requirements.
- 6, Please use suitable and high quality rubber gasket to extend the service lifetime of the hardware configuration.

● 欧标内开单向锁配置(右开) European Standard Inward Opening Single Direction Locking System

序号 No.	产品名称 Description	产品编号 Code	数量 QTY	备注 Remark
1	CZH16执手 Handle	CZH16	1	
2	CQ10转换器 Transmission Device	CQ10	1	
3	09连接杆A款 Linking Rod	CL06A	2	
4	欧槽锁座 Striker	CKG05	2	
5	上合页总成 Hinge	JXB04-00-SR	1	合页分左右 Left and right version
6	20槽爬升胶块 Elevating Plastic Block	PP01	1	
7	PP07爬升块 Elevating Block	PP07	1	
8	欧槽限位支撑 Friction Stay	DO	1	
9	下合页总成 Hinge	JXB02-00-XR	1	合页分左右 Left and right version
10	胶条 Rubber Seal			根据型材而定 Based on the profile

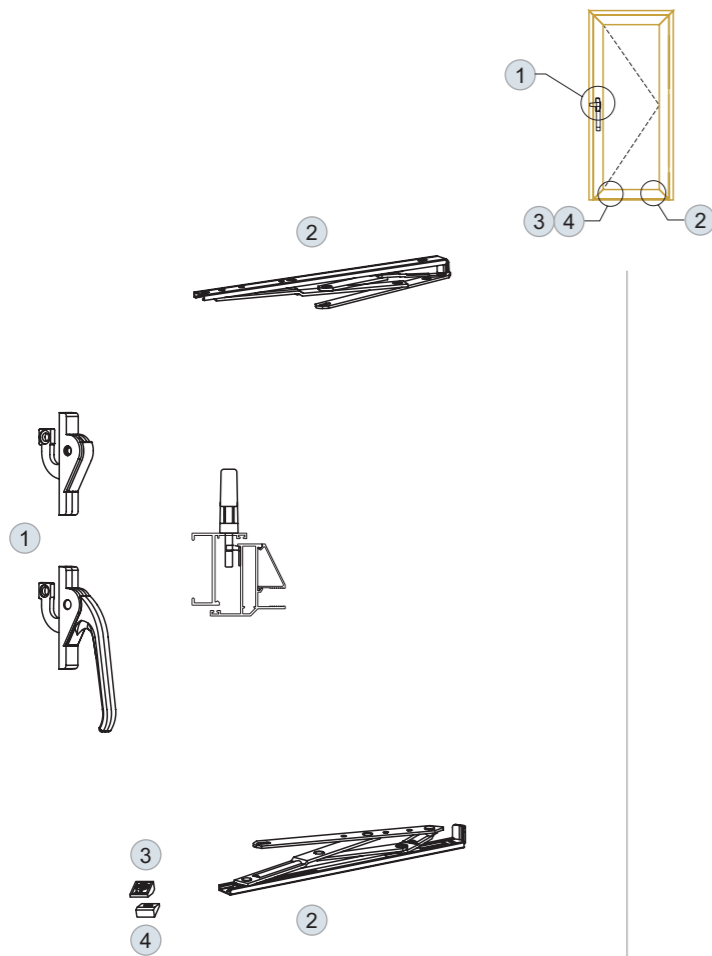
● 注意事项:

1. 窗户的框与扇的组角连接必须牢固可靠。
2. 本配置适用于标准欧式20槽口。
3. 以上桔色图形五金件为窗户选配件。
4. 内开组件必须配合欧槽限位撑(DO)使用, 以达到最佳效果。
5. 本配置谨供参考: 锁点可按客户要求配置。
6. 请正确选用口型合理、材料优质的密封胶条, 它是令五金组件耐久使用的重要条件。

● Attention

- 1, The corner connection of frame and sash must be firm.
- 2, Suitable for European standard (20mm groove).
- 3, Items in orange are selective.
- 4, This set must be used together with limiter stay (DO) to attain perfect effect.
- 5, This configuration is only for reference: The locking points are flexible based on your requirements.
- 6, Please use suitable and high quality rubber gasket to extend the service lifetime of the hardware configuration.

Single-Point Locking Series for Outward Opening Window 外开窗五金配置系列-单点锁

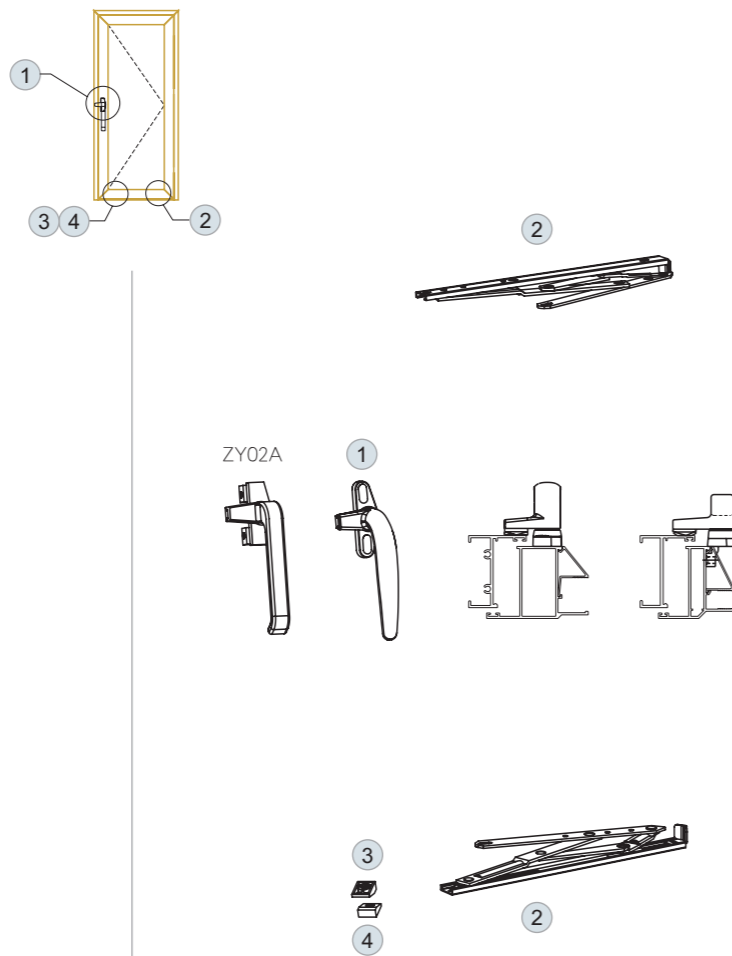


● 外平开窗五金配置一
Outward Opening Window Configuration 1

序号 No.	产品名称 Description	产品编号 Code	数量 QTY	备注 Remark
1	306联动执手B款 Handle	ZK05	1	
2	滑撑 Friction Stay	选配Select	2	根据窗型而定 Based on the window
3	PP08爬升块 Elevating Block	PP08	1	
4	PP09爬升块 Elevating Block	PP09	1	
5	O形掩胶 O-shaped Plastic			材质(Material) :EPDM

● 配置补充说明:

1. 本配置的配件均为可选择性配件，可根据型材实配。
2. 本配置执手有多种不同款色可供客户选择，详见后面执手系列。
3. 选用不同的滑撑，合页承重不一样，具体技术参数见后面滑撑及合页系列。
4. 外平开窗一般情况下使用滑撑，如不能配置滑撑而配置合页，需加双支撑。
5. 在外平开窗中必需选用爬升块。



● 外平开窗五金配置二
Outward Opening Window Configuration 2

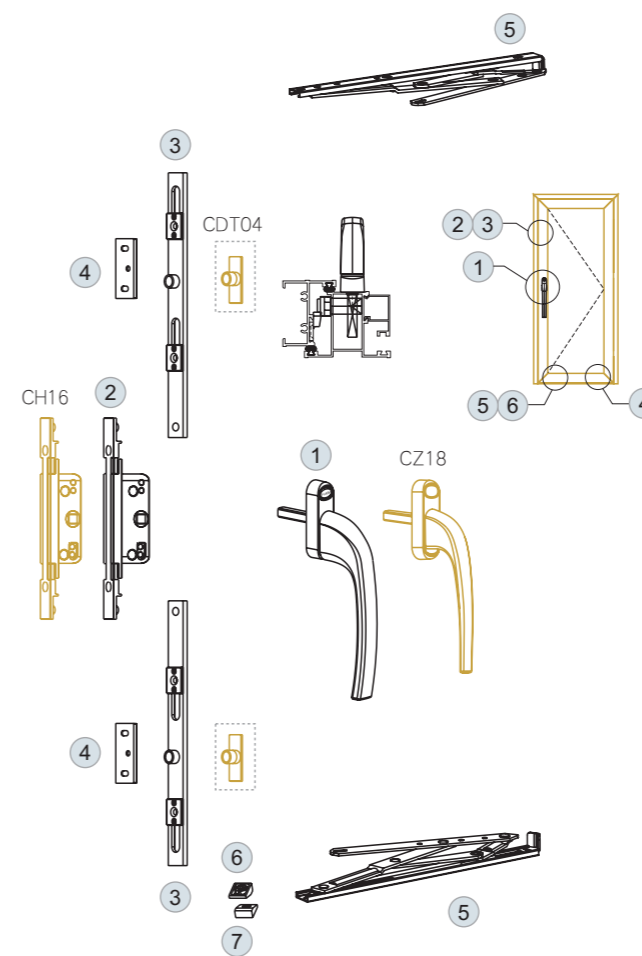
序号 No.	产品名称 Description	产品编号 Code	数量 QTY	备注 Remark
1	ZY12七字执手 Handle	ZY12	1	执手分左右 Left and right version
2	滑撑 Friction Stay	选配Select	2	根据窗型而定 Based on the window
3	PP08爬升块 Elevating Block	PP08	1	
4	PP09爬升块 Elevating Block	PP09	1	
5	O形掩胶 O-shaped Plastic			材质(Material) :EPDM

● Attention

1. The accessories in this set are all selective according to the profile.
2. The handles in different types are available. For more information, refer to the following handle series.
3. Different friction stay and hinge bear different load. The specific technical parameter is showed in the following series.
4. Friction stay is generally for out-ward opening windows. Two supports are needed if using hinge instead of friction stay.
5. Elevating block must be used on out-ward opening window.



Multi-Point Locking Series for Outward Opening Window 外开窗五金配置系列-多点锁

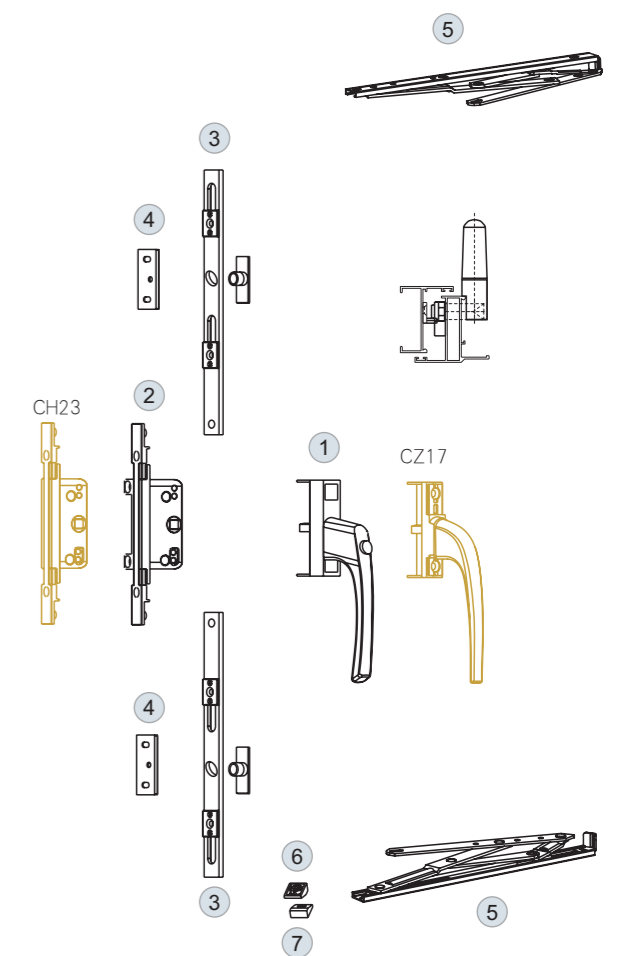


● 外平开窗五金配置三
Outward Opening Window Configuration 3

序号 No.	产品名称 Description	产品编号 Code	数量 QTY	备注 Remark
1	CZ11执手 Handle	CZ11	1	
2	CH15锁盒 Gear	CH15	1	
3	单支槽铝连杆C2款 Aluminum Rod	CHJ01C2	2	
4	HK两点锁锁座 Striker	CKG01	2	
5	滑撑 Friction Stay	选配Select	2	根据窗型而定 Based on the window
6	PP08爬升块 Elevating Block	PP08	1	
7	PP09爬升块 Elevating Block	PP09	1	
8	胶条 Rubber Seal			根据型材而定 Based on the Profile

● 配置说明:

1. 本配置的配件均为可选择性配件，可根据型材实配。
2. 本配置执手和锁盒有多种可供客户选择，详见后面执手和锁盒系列。
3. 传动杆的长度和传动杆上锁点的数量根据窗型的大小而定（当两连杆长度和大于800mm时建议用三个锁点）。
4. 选用不同的滑撑承重不一样，具体技术参数见后面滑撑系列。
5. 在外平开窗中必需选用爬升块。



● 外平开窗五金配置四
Outward Opening Window Configuration 4

序号 No.	产品名称 Description	产品编号 Code	数量 QTY	备注 Remark
1	CZ06执手 Handle	CZ06	1	执手分左右 Left and right version
2	CH10锁盒 Gear	CH10	1	
3	单支槽铝连杆C款 Aluminum Rod	CHJ01C	2	根据窗型而定 With CDT04 locking screw
4	HK两点锁锁座 Striker	CKG01	2	
5	滑撑 Friction Stay	选配Select	2	根据窗型而定 Based on the window
6	PP08爬升块 Elevating Block	PP08	1	
7	PP09爬升块 Elevating Block	PP09	1	
8	胶条 Rubber Seal			根据型材而定 Based on the Profile

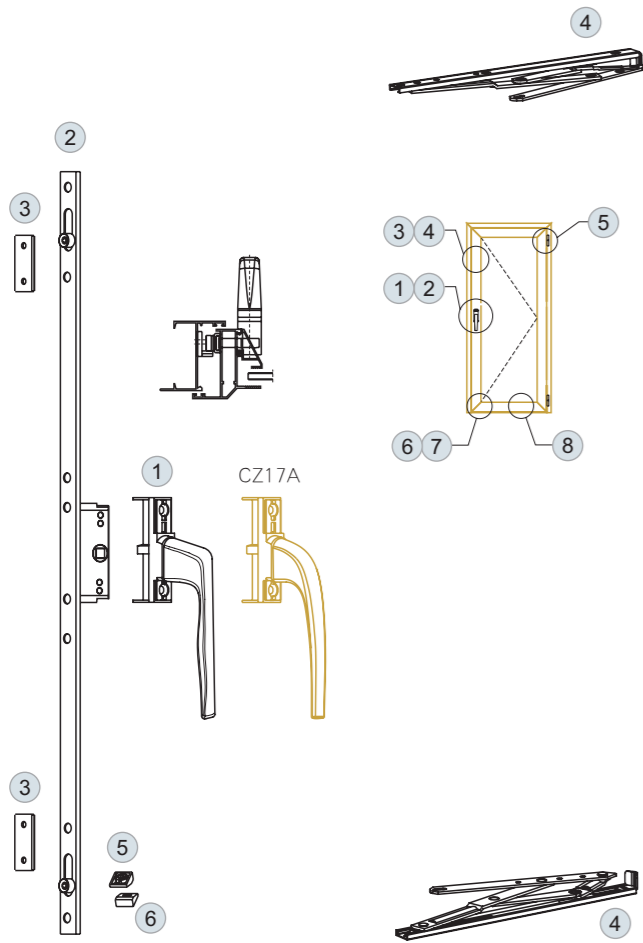
● Attention

1. The accessories in this set are all selective according to profile;
2. The handles and gears in various types are available. For more information, refer to the following handle and gear series;
3. The length of transmission rod and the number of its locking points depends on the size of windows. (Three locking points is recommended when the sum of two transmission rods is over 800mm);
4. Different frictions stay bears different weight. Specific technical parameter is in the following friction stay series.
5. Elevating block must be used on outward casement window.

Multi-Point Locking Series for Outward Opening Window 外开窗五金配置系列-多点锁



Multi-Point Locking Series for Outward Opening Window 外开窗五金配置系列-多点锁

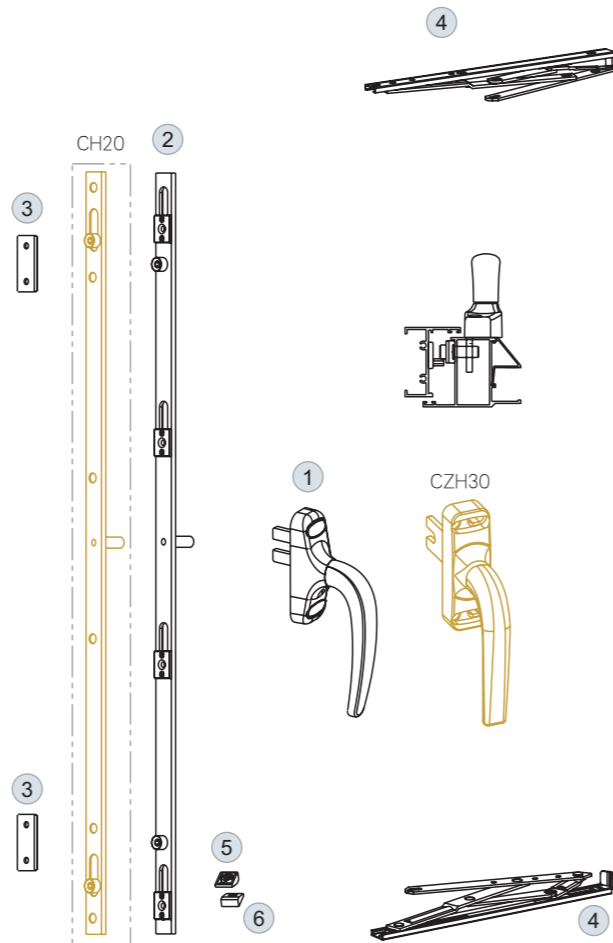


● 外平开窗五金配置五
Outward Opening Window Configuration 5

序号 No.	产品名称 Description	产品编号 Code	数量 QTY	备注 Remark
1	CZ20执手 Handle	CZ20	1	执手分左右 Left and right version
2	CH22不锈钢连杆 Stainless steel Rod	CH22	1	配CDT05锁钉 With CDT05 locking point
3	12锁座 Striker	CKG07	2	
4	滑撑 Friction Stay	选配Select	2	根据窗型而定 Based on the window
5	PP08爬升块 Elevating Block	PP08	1	
6	PP09爬升块 Elevating Block	PP09	1	
7	胶条 Rubber Seal			根据型材而定 Based on the Profile

● 配置补充说明:

1. 本配置的配件均为可选择性配件, 可根据型材实配。
2. 本配置执手的外观和拔叉长度有多种可供客户选择, 详见后面执手系列。
3. 传动杆的长度和传动杆上锁点的数量根据窗型的大小而定 (当连杆长度大于1000mm时建议用三个锁点)。
4. 选用不同的滑撑承重不一样, 具体技术参数见后面滑撑系列。
5. 在外平开窗中必需选用爬升块。

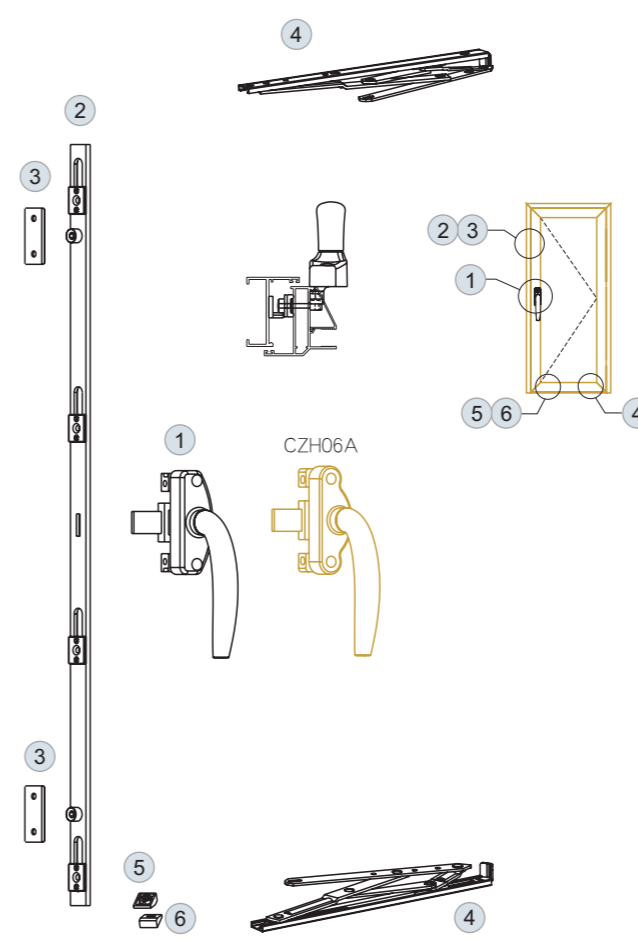


● 外平开窗五金配置六
Outward Opening Window Configuration 6

序号 No.	产品名称 Description	产品编号 Code	数量 QTY	备注 Remark
1	CZH07E执手 Handle	CZH07E	1	执手分左右 Left and right version
2	塔式铝连杆 Stainless steel Rod	CHJ01B	1	
3	12锁座 Striker	CKG07	2	
4	滑撑 Friction Stay	选配Select	2	根据窗型而定 Based on the window
5	PP08爬升块 Elevating Block	PP08	1	
6	PP09爬升块 Elevating Block	PP09	1	
7	胶条 Rubber Seal			根据型材而定 Based on the Profile

● Attention

1. The accessories in this set are all selective according to profile;
2. The appearance and length of the tongue is flexible to meet your requirements;
3. The length of transmission rod and the number of its locking points depends on the size of windows. (Three locking points is recommended when the sum of two transmission rods is over 1000 mm);
4. Different frictions stay bears different weight. For specific technical parameter, please refer to the following friction stay series.
5. Elevating block must be used on out-ward opening window.

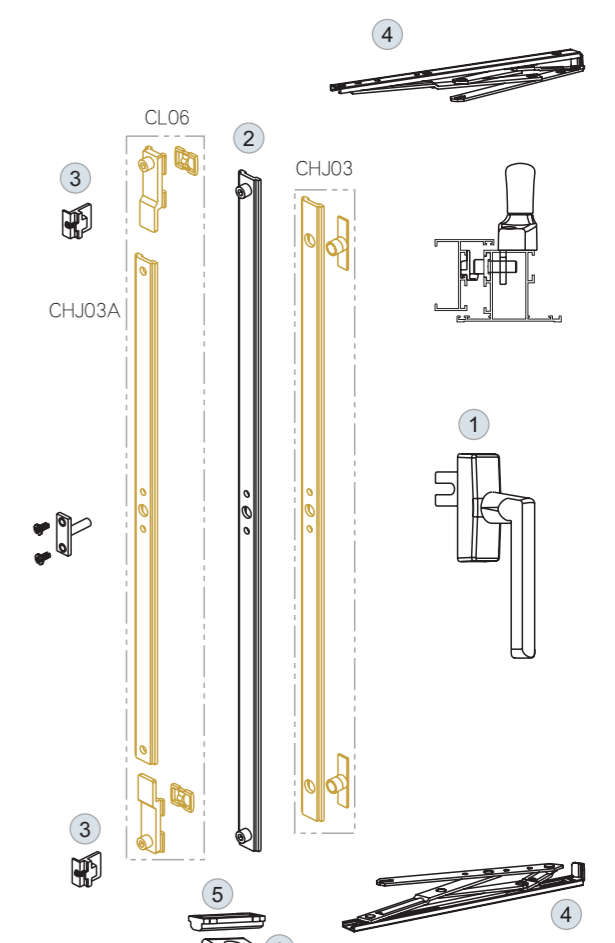


● 外平开窗五金配置七
Outward Opening Window Configuration 7

序号 No.	产品名称 Description	产品编号 Code	数量 QTY	备注 Remark
1	CZH03B执手高脚 Handle	CZH03B	1	执手分左右 Left and right version
2	单支槽铝杆连 Aluminum Rod	CHJ01	1	
3	HK两点锁锁座 Striker	CKG01	2	
4	滑撑 Friction Stay	选配Select	2	根据窗型而定 Based on the window
5	PP08爬升块 Elevating Block	PP08	1	
6	PP09爬升块 Elevating Block	PP09	1	
7	胶条 Rubber Seal			根据型材而定 Based on the Profile

● 配置说明:

1. 本配置的配件均为可选择性配件, 可根据型材实配。
2. 本配置执手和传动铝连杆有多种可供客户选择, 详见后面执手和连杆系列。
3. 传动杆的长度和传动杆上锁点的数量根据窗型的大小而定 (当两连杆长度和大于800mm时建议用三个锁点)。
4. 选用不同的滑撑, 合页承重不一样, 具体技术参数见后面滑撑及合页系列。
5. 外平开窗一般情况下使用滑撑, 如不能配置滑撑而配置合页, 需加双支撑。
6. 在外平开窗中必需选用爬升块。



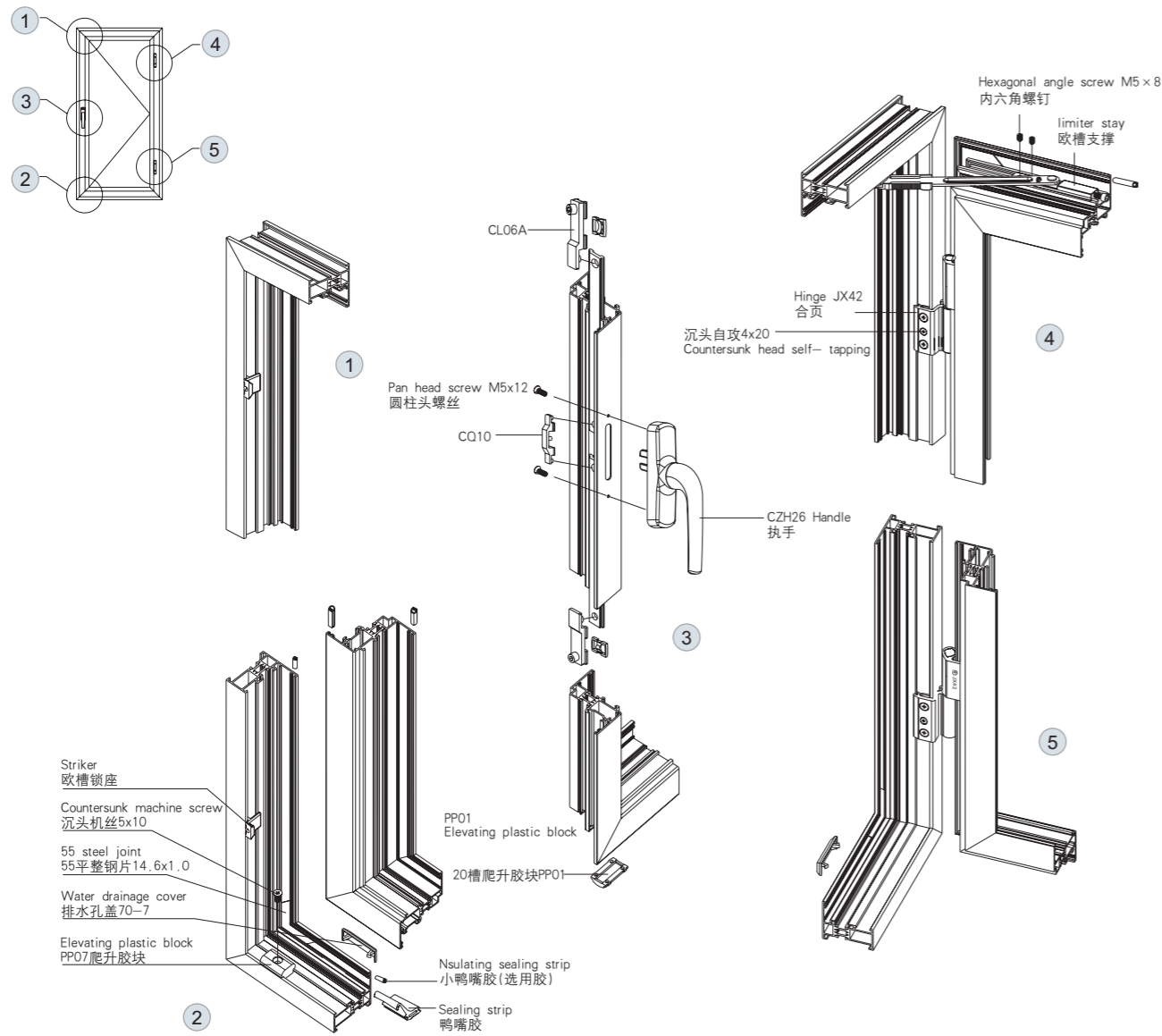
● 外平开窗五金配置八
Outward Opening Window Configuration 8

序号 No.	产品名称 Description	产品编号 Code	数量 QTY	备注 Remark
1	CZH15执手 Handle	CZH15	1	执手分左右 Left and right version
2	C槽铝连杆B款 Aluminum Rod	CHJ03B	1	
3	欧槽锁座 Striker	CKG05	2	
4	滑撑 Friction Stay	选配Select	2	根据窗型而定 Based on the window
5	20槽爬升胶 Elevating Plastic Block	PP01	1	
6	PP07爬升块 Elevating Block	PP07	1	
7	胶条 Rubber Seal			根据型材而定 Based on the Profile

● Attention

1. The accessories in this set are all selective according to profile;
2. The appearance and length of the tongue is flexible to meet your requirements;
3. The length of transmission rod and the number of its locking points depends on the size of windows. (Three locking points is recommended when the sum of two transmission rods is over 800 mm);
4. Different frictions stay bears different weight. For specific technical parameter, please refer to the following friction stay series.
5. Friction stay is generally for out-ward opening windows. Two supports are needed if using hinge instead of friction stay.
6. Elevating block must be used on outward opening window.

Within Casement Window Assembly Diagram 内平开窗装配示意图



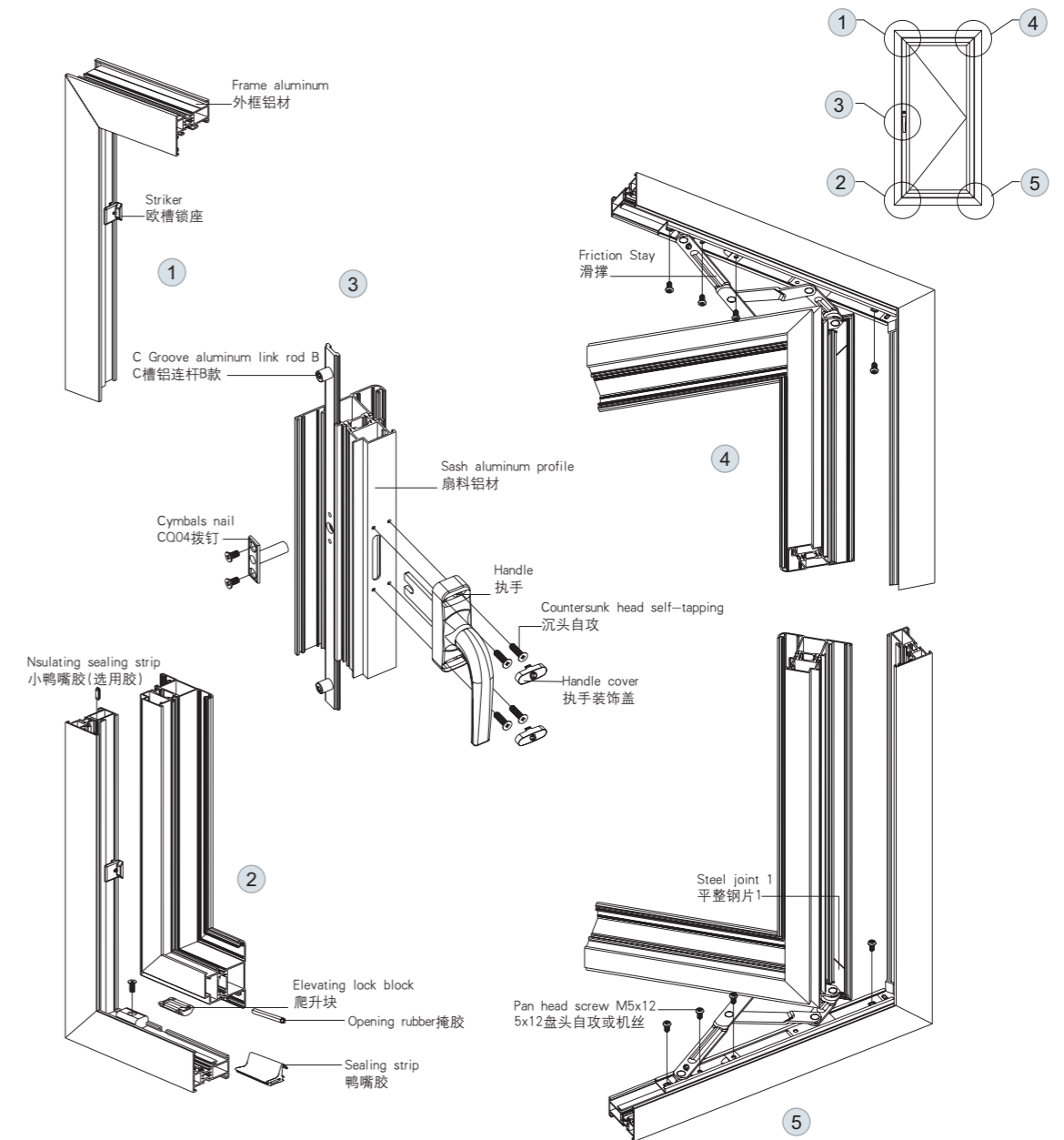
● 注意事项:

- 1、请根据我司提供的相关配置图正确选用合理的五金及优质的密封胶条，并按图开孔安装，它是成为优良门窗的保证。
- 2、窗户的框与扇组角连接必须牢固可靠。
- 3、以上配置为标准欧式20槽内开窗安装示意图，配件有多种选择，可根据型材实配。
- 4、鸭嘴胶转角处建议采用整体转角边接。

● Attention

- 1, Please use suitable and high quality rubber gasket to extend the service lifetime of the hardware configuration.
- 2, The corner connection of frame and sash must be firm.
- 3, This is installation diagram for European standard 20mm groove outward opening windows. The accessories are flexible according to profiles;
- 4, The corner of insulating rubber is suggested to adopt complete corner connection.
5. Elevating block must be used on out-ward opening window.

Outward Casement Window Assembly Diagram 外平开窗装配示意图



● 注意事项:

- 1、请根据我司提供的相关配置图正确选用合理的五金及优质的密封胶条，并按图开孔安装，它是成为优良门窗的保证。
- 2、窗户的框与扇组角连接必须牢固可靠。
- 3、以上配置为标准欧式20槽外开窗安装示意图，配件有多种选择，可根据型材实配。
- 4、鸭嘴胶转角处建议采用整体转角边接。
- 5、在外平开窗中必需选用爬升块。

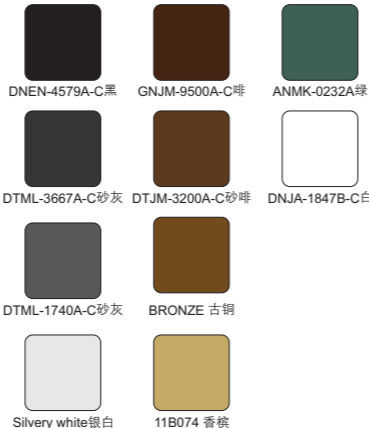
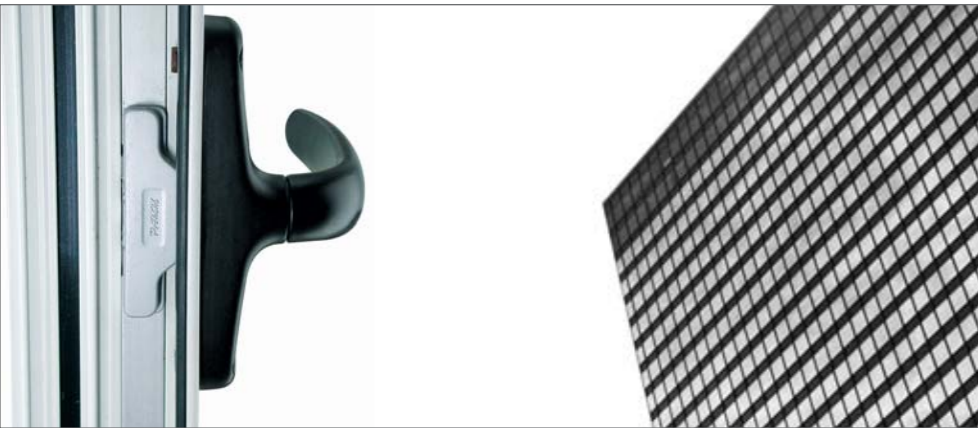
● Attention

- 1, Please use suitable and high quality rubber gasket to extend the service lifetime of the hardware configuration.
- 2, The corner connection of frame and sash must be firm.
- 3, This is installation diagram for European standard 20mm groove outward opening windows. The accessories are flexible according to profiles;
- 4, The corner of insulating rubber is suggested to adopt complete corner connection.
- 5, Elevating block must be used on out-ward opening window.



Selection and Installation Casement Window Handle 平开窗执手选用和安装说明

Handle Series



执手有多款颜色可供选择
Other color is allowed

传动机构用执手 JG/T124-2007

定义：驱动传动锁闭器，多点锁闭器，实现门窗扇启闭的操纵装置。

主要性能指标：

1. 反复启闭25000个循环。
2. 空载操作力不大于40N，操作力矩不大于2N·m。
3. 执手在25N·m~26N·m力矩作用下各部件无损坏，执手柄曲线位置偏移小于5°。
4. 传动机构用执手在承受60N拉力作用后，执手柄最外端最大永久变形量小于5mm。

使用范围：家居、办公楼、商务楼上所有内外平开窗、室内推拉门上，及幕墙上悬窗上。

Multi-point Handle Series

JG/T124-2007

Definition:

A kind of controlling device to drive up transmission devices, multi-point locking devices and achieving the opening and closing of doors and windows frame control device.

Performance index:

1. Repeatedly opening and closing 25,000 cycles.
2. Torque $\leq 40N$ no-load operation, the operation strength is $\leq 40N$, operating torque is not greater than 2N.m,
3. Handle various parts is without damage under the effect of torque of the 25N.m~26N.m, offset handle grip curves location ≤ 5 degrees.
4. Actuator handle 60N rally after consideration, and handles the outer end of the largest permanent deformation quantity is $\leq 5mm$.

Scope of application:

Casement window, sliding door, top-hung window of home, office and trade building.

1. Correctly selecting the handle based on the configuration supplied by us or other related technique information.
 2. According to the handle and other link devices, fixing the right position and size of longitude A and horizon B on the profile.
 - a. Punching the suitable hole size on the profile for fastening screw and fork/square shaft based on the handle installation position.
 - b. Ensure the fork/square shaft handle stirring and rotating free, non-interference with the profile.
- The installation position must be aligned with its matching transmission device, non-interference or deflective.

Notes: Different handle matches different transmission device and profile structure; there is also difference on the position and size of the punching hole. Please contact us when necessary.

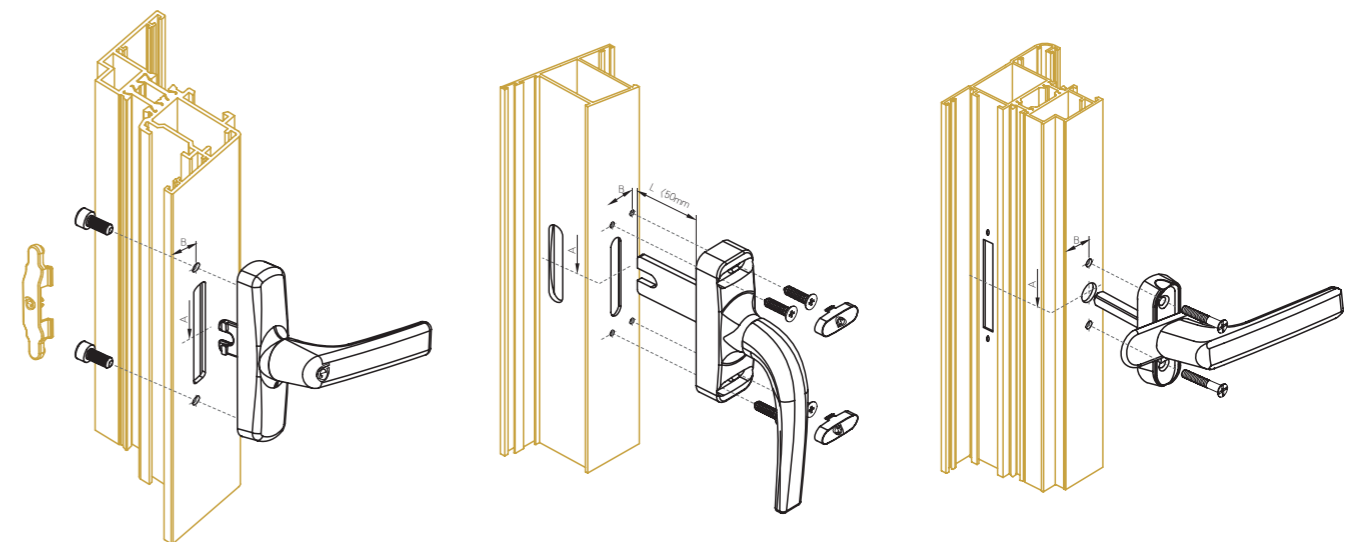
● 选用要点说明：

1. 需根据我司提供的配置或其它相关技术资料正确合理选用与型材相匹配的及所需执手。
2. 从产品结构设计和力学角度考虑，在传动受力上，一般情况下，特别是长传动轴距时，方轴执手+传动锁盒优于拨叉执手+传动杆配置方案，故选用外开窗执手时应注意以下2点：
 - a. 在一般隔热型材结构外平开窗中应选用方轴执手+传动锁盒。
 - b. 拨叉执手的拨叉长度不宜超过50mm。

● 安装要点说明：

1. 根据配置选用的执手和其它连接件在型材确定正确的纵向A和横向B安装位置及尺寸。
2. 根据确定的执手安装位置后，按执手的技术参数和实物在型材上开固定螺丝和拨叉（方轴）避空活动孔尺寸。
3. 执手拨叉（方轴）在型材上的拨（转）动必须顺畅，不能与型材相干涉。
4. 执手拨叉（方轴）与其相配合传动件的位置须准确对齐，不得干涉或偏斜。

注：不同的执手与不同的传动件和不同结构的型材配合，开孔安装位置和尺寸均有不同，必要时请与我司技术部门联系。



Multi-point Lockable Handle Series

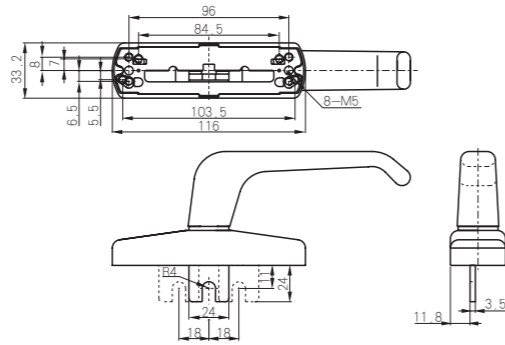
多点锁执手系列



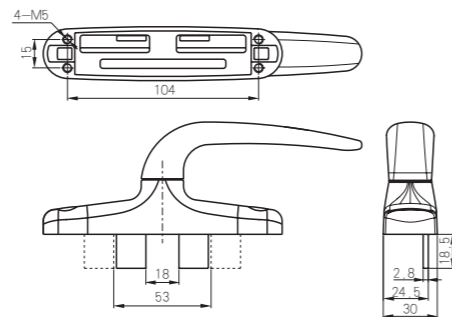
Multi-point Lockable Handle Series

多点锁执手系列

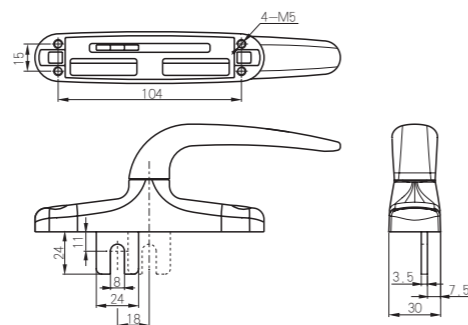
CZH04B



CZH05

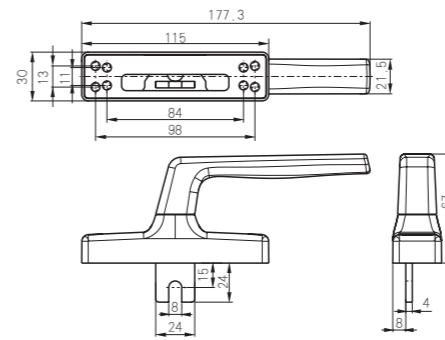


CZH05A

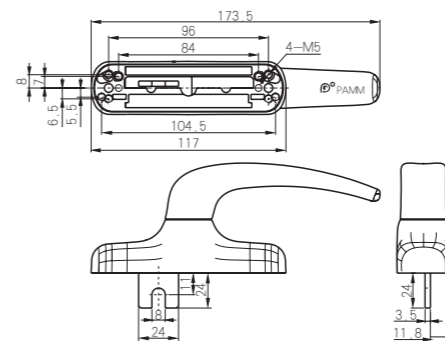


- 执手拨叉长度有多种尺寸可供选择,也可根据客户要求订做。
- Various length of tongue is available. And it can be made as per your requirements.

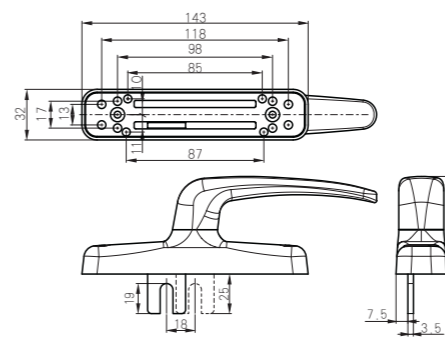
CZH11C



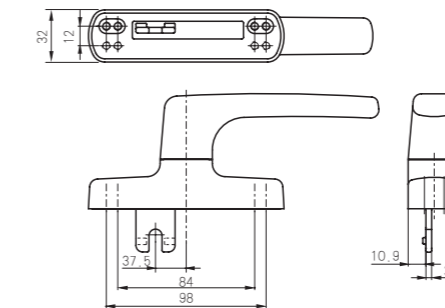
CZH16



CZH17



CZH22



Multi-point Lockable Handle Series

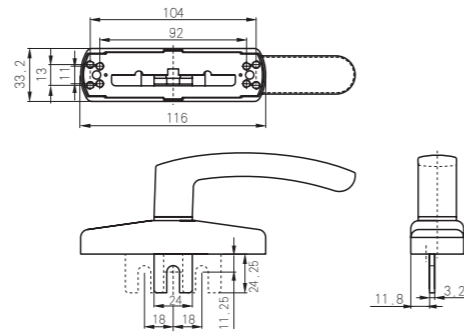
多点锁执手系列

Multi-point Lockable Handle Series

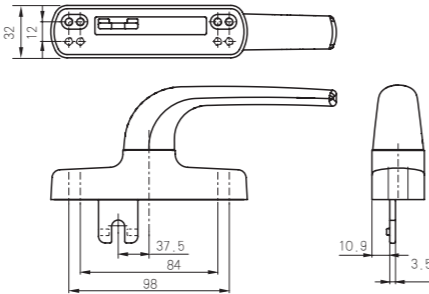
多点锁执手系列



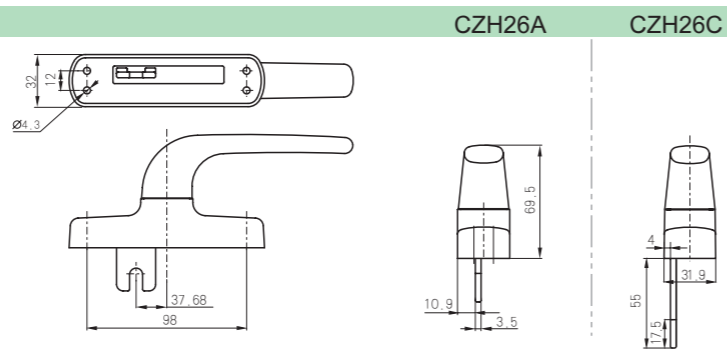
CZH23



CZH26



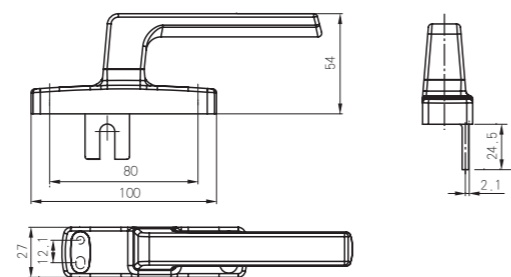
CZH26A



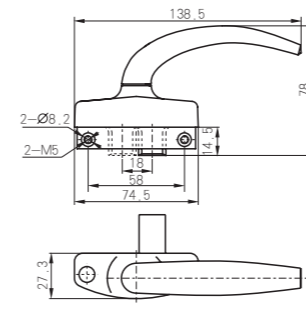
CZH29



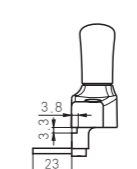
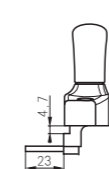
- 执手分左右
- Left and right version



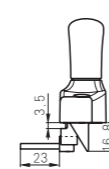
CZH03



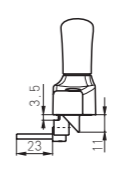
CZH03B



CZH03C



CZH03D

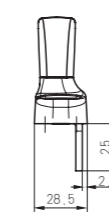
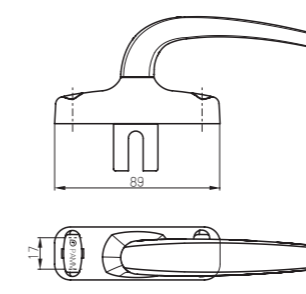


CZH03

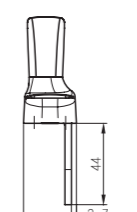


- 执手分左右
- Left and right version

CZH07E



CZH07G



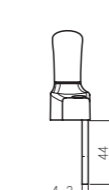
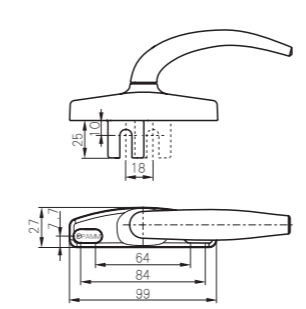
- 执手分左右
- 建设部门窗配套委员会推荐产品。

CZH07E

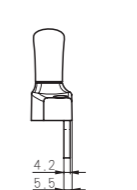


- Left and right version
- The Recommended product by door and window accessories committee of construction department.

CZH10B



CZH10A

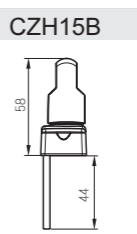
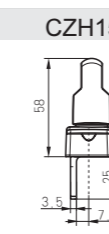
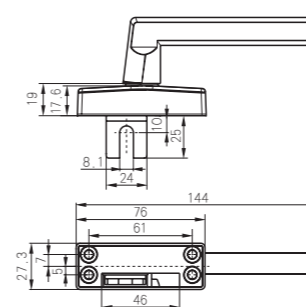


CZH10A



- 执手分左右
- Left and right version

CZH15



- 执手分左右
- 建设部门窗配套委员会推荐产品。

CZH15



- Left and right version
- The Recommended product by door and window accessories committee of construction department.


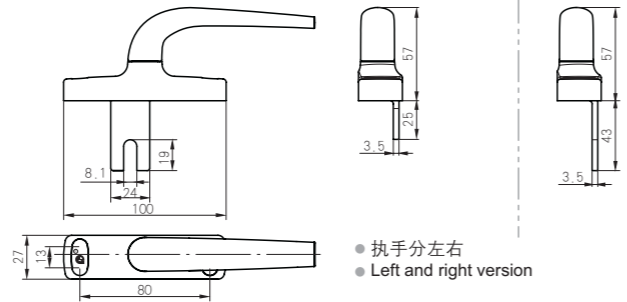
Multi-point Lockable Handle Series

多点锁执手系列

Multi-point Lockable Handle Series


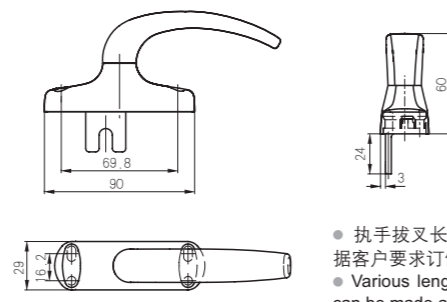
多点锁执手系列

CZH20


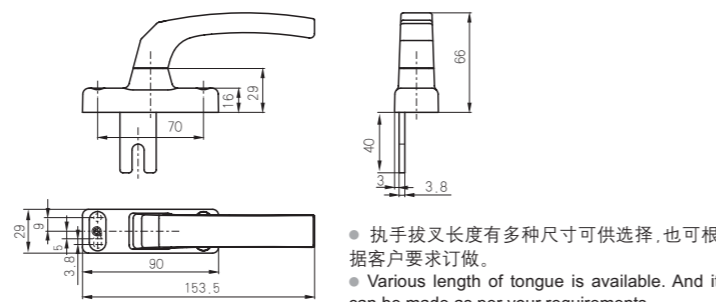
● 执手分左右
● Left and right version

CZH30


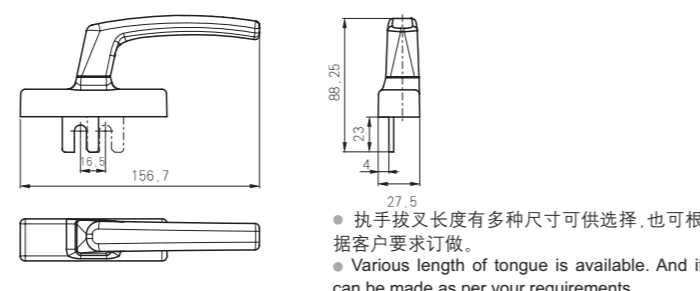
● 执手拨叉长度有多种尺寸可供选择,也可根据客户要求订做。
● Various length of tongue is available. And it can be made as per your requirements.

CZH32


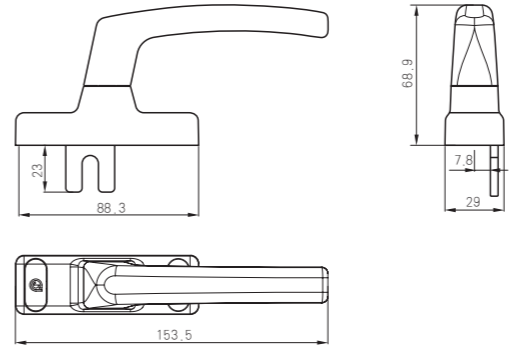
● 执手拨叉长度有多种尺寸可供选择,也可根据客户要求订做。
● Various length of tongue is available. And it can be made as per your requirements.

CZH33


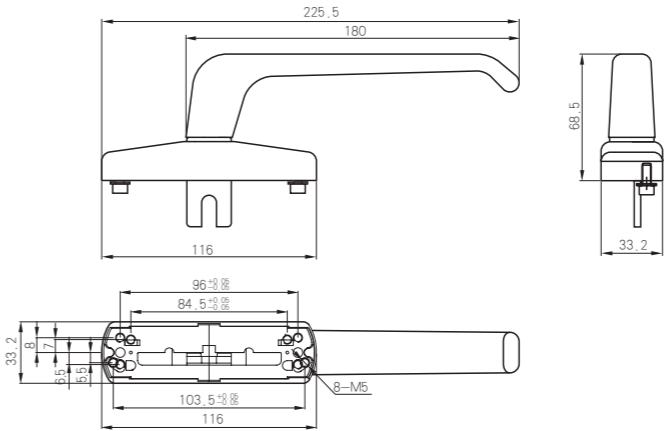



● 执手拨叉长度有多种尺寸可供选择,也可根据客户要求订做。
● Various length of tongue is available. And it can be made as per your requirements.


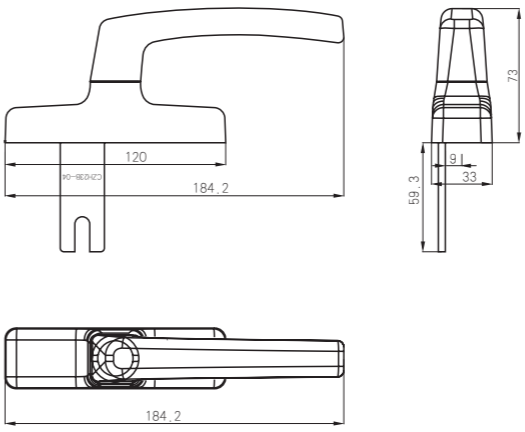
CZH32B

CZH04H

CZH42

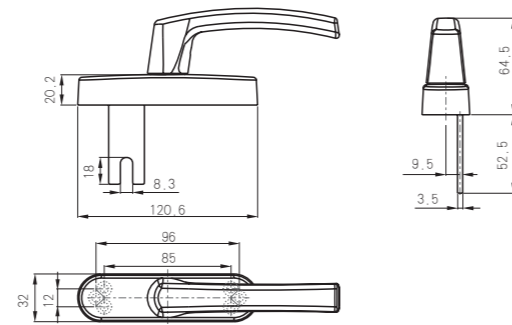
Multi-point Lockable Handle Series

多点锁执手系列

Multi-point Lockable Handle Series

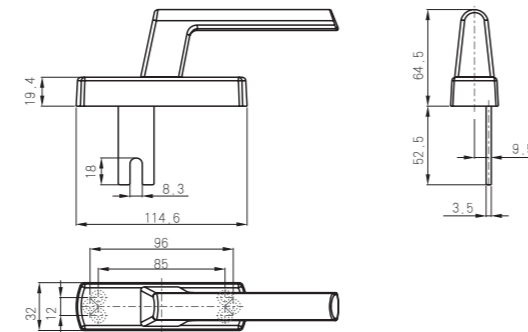
多点锁执手系列

CZH43



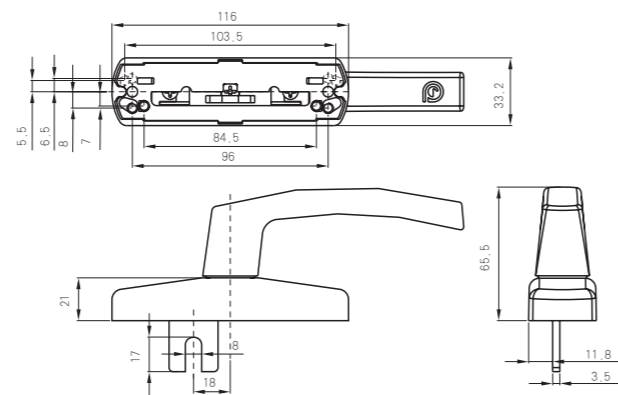
- 拨叉长度可以按需加工 (外露长度范围L=20~52.5mm)
- Remark: Fork length can be made as per your requirements (exposed length L=20-52.5mm)

CZH45



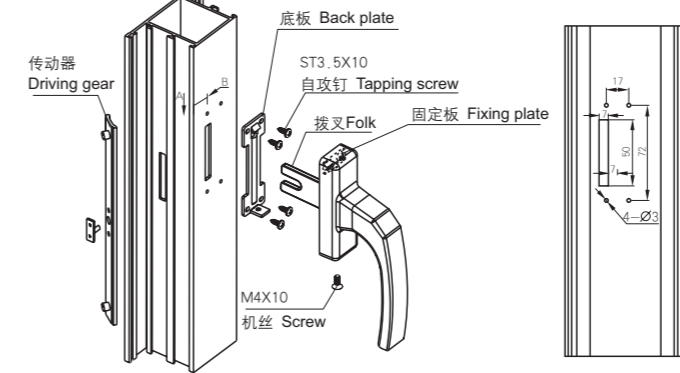
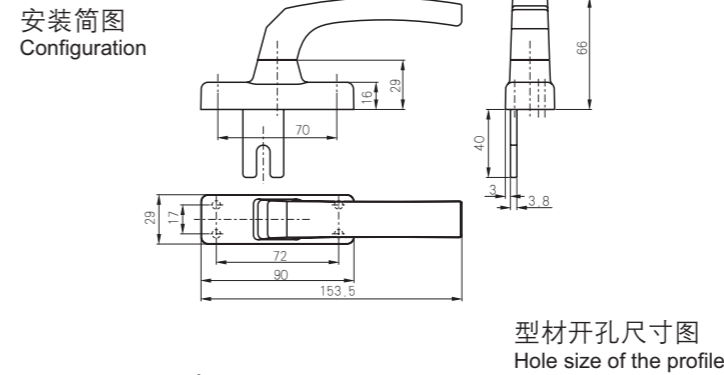
- 拨叉长度可以按需加工 (外露长度范围L=20~52.5mm)
- Remark: Fork length can be made as per your requirements (exposed length L=20-52.5mm)

CZH50



- 手柄90° 方向转动，分左右安装，执手主要用于上悬窗与内平开窗。
- Remark: Handle is operated in 90 degrees and installed in left or right. It is mainly used for top hung and side hung window.

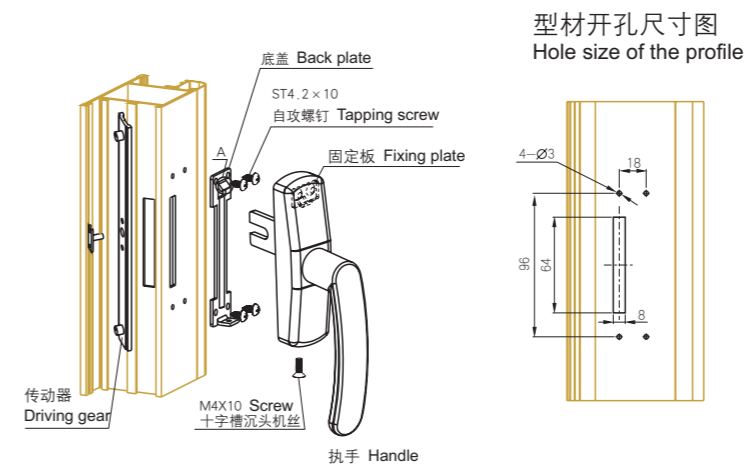
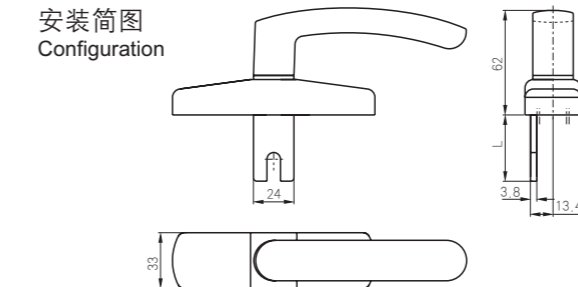
CZH32A



型材开孔尺寸图
Hole size of the profile

- 执手与底盖采用分体式螺丝紧固设计，产品安装后，整个执手可与型材浑然一体，无外露固定螺丝及装饰盖等，保持了产品整体美观一体性。
- 执手拨叉长度有多种尺寸可供选择，也可根据客户要求订做。
- 执手适用于外平开窗、推拉门窗中，不分左右。
- Handle and cover use the design of separating screw fastening, after installation, handle and profiles looks seamless and no decorative cover and no exposed screws, to keep the overall aesthetic integrity of the product.
- Lengths of the fork can be chose by the customer and customized according to customer requirements.
- Handle is suitable for side-hung windows, sliding doors and windows, not around.

CZH23B



型材开孔尺寸图
Hole size of the profile

Multi-point Lockable Handle Series

多点锁执手系列

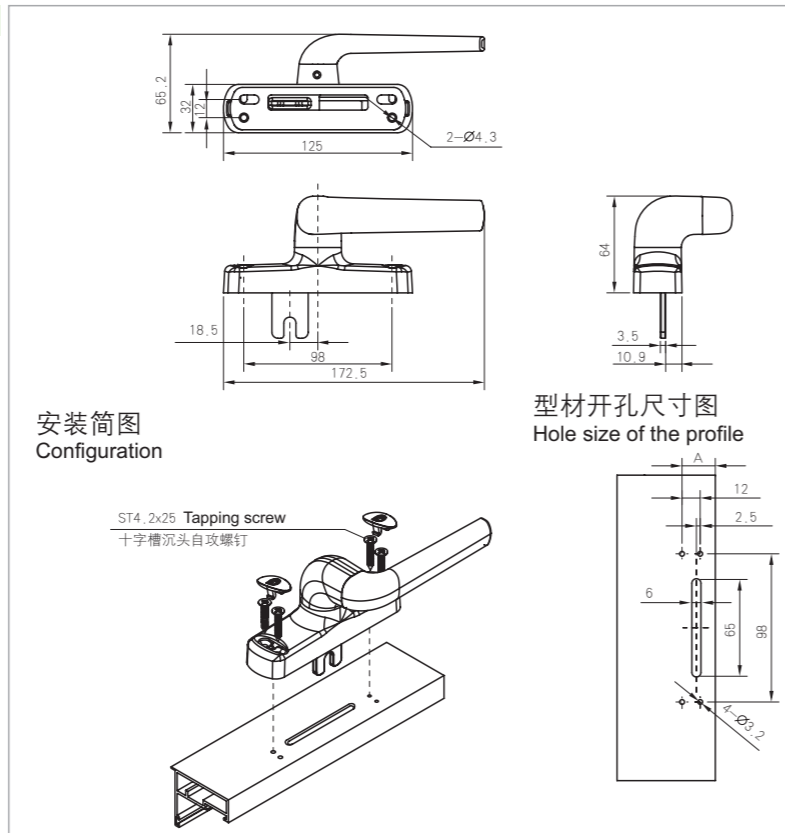
Multi-point Lockable Handle Series

多点锁执手系列

CZH48



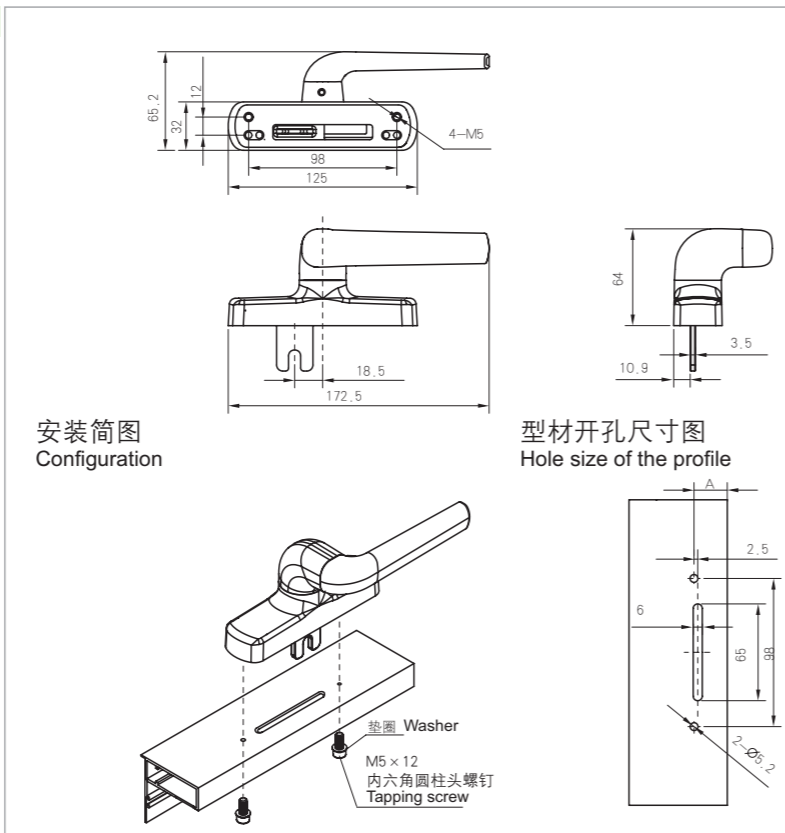
- 本产品适用于上悬窗。
- 执手分左右，图中产品为右，如需左执手仅将手柄调换方向即可。
- 拨叉长度可按客户要求定做。
- 型材开孔尺寸A需根据执手安装位置决定。
- It's used for top hung window.
- Left and right version.This picture is right version.Exchange handle shank direction when left version is needed.
- Fork length can be made as per your requirements.
- The installation position of the handle decides the hole size of profile(A).



CZH48A



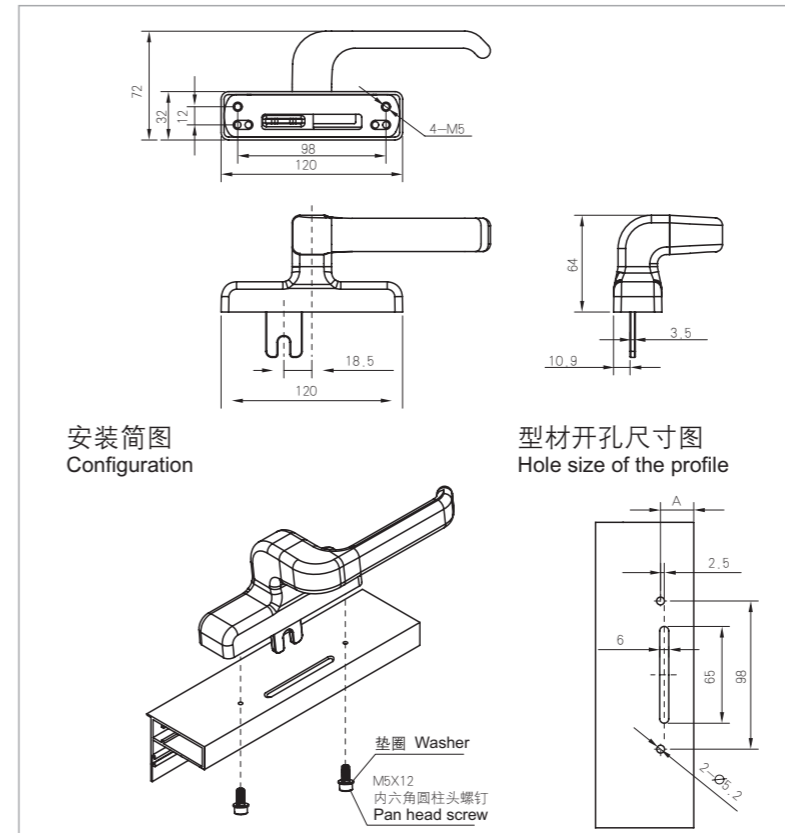
- 本产品适用于上悬窗。
- 执手分左右，图中产品为右，如需左执手仅将手柄调换方向即可。
- 拨叉长度可按客户要求定做。
- 型材开孔尺寸A需根据执手安装位置决定。
- It's used for top hung window.
- Left and right version.This picture is right version.Exchange handle shank direction when left version is needed.
- Fork length can be made as per your requirements.
- The installation position of the handle decides the hole size of profile(A).



CZH54



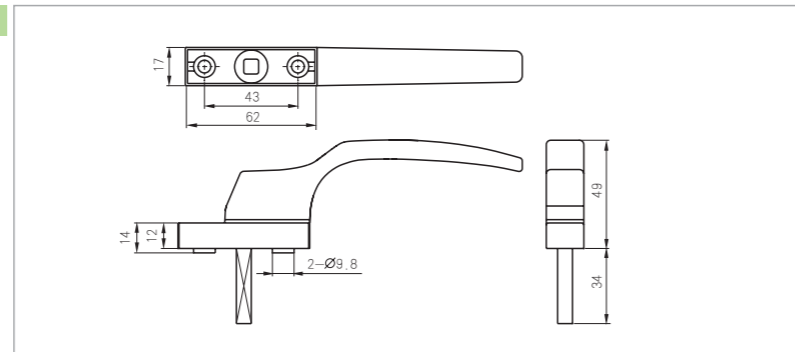
- 本产品适用于上悬窗。
- 执手分左右，图中产品为右，如需左执手仅将手柄调换方向即可。
- 拨叉长度可按客户要求定做。
- 型材开孔尺寸A需根据执手安装位置决定。
- It's used for top hung window.
- Left and right version.This picture is right version.Exchange handle shank direction when left version is needed.
- Fork length can be made as per your requirements.
- The installation position of the handle decides the hole size of profile(A).



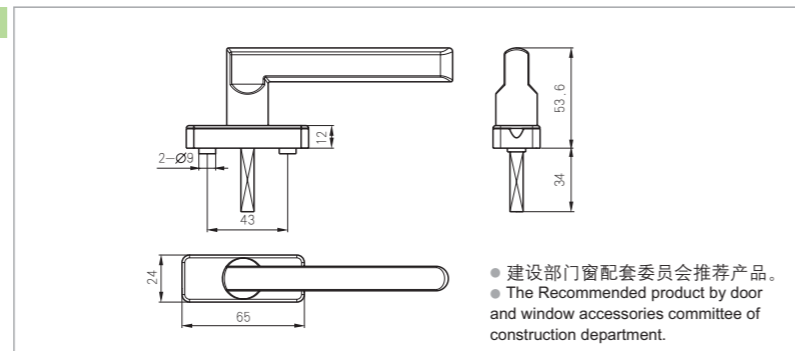
Multi-point Lockable Handle Series
多点锁执手系列

Multi-point Lockable Handle Series
多点锁执手系列

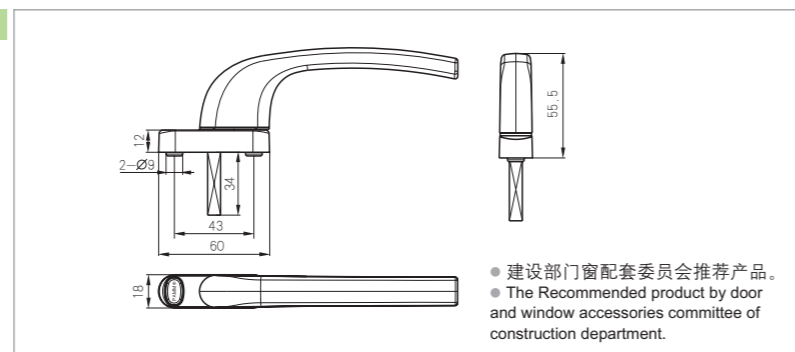
CZ01



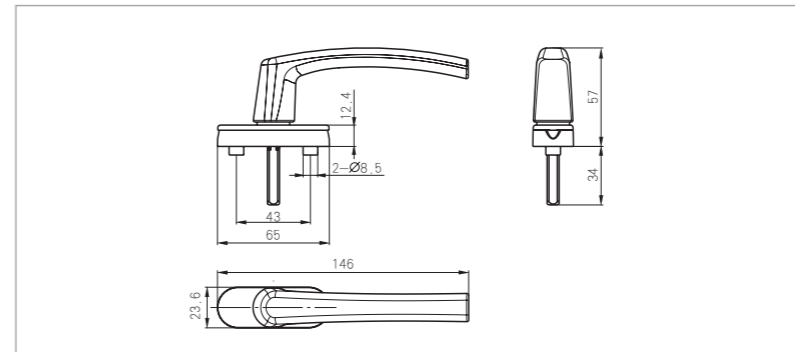
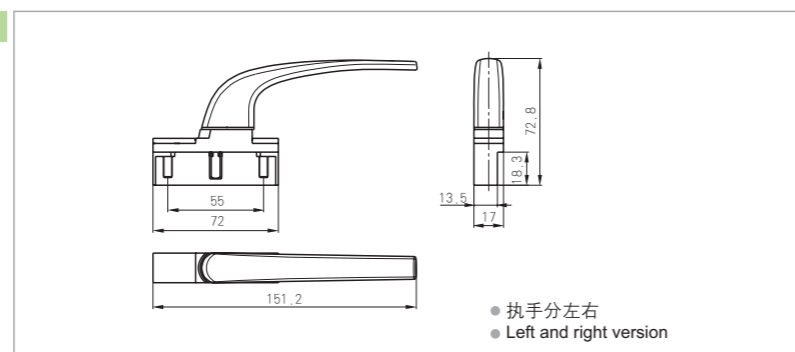
CZ09



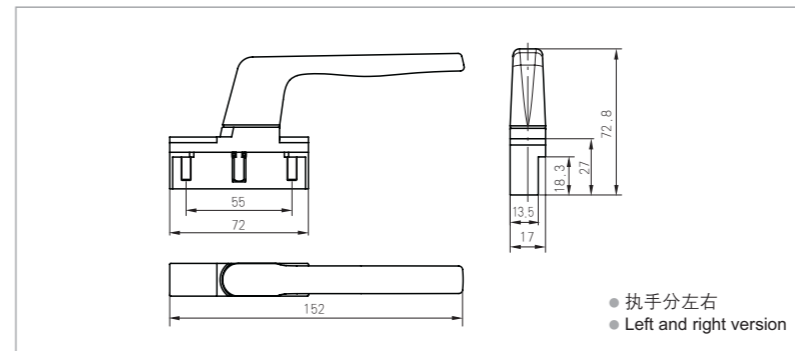
CZ11



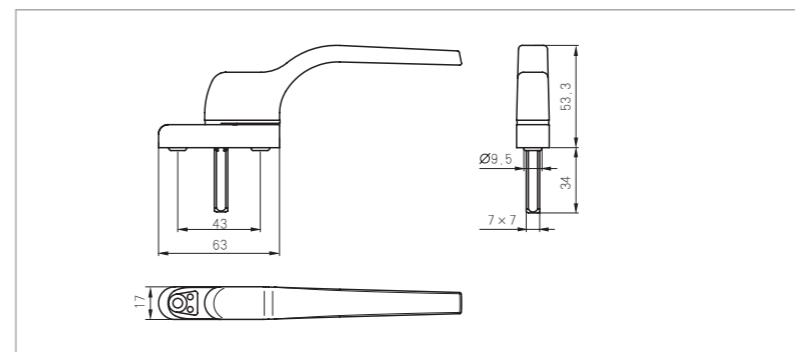
CZ17A



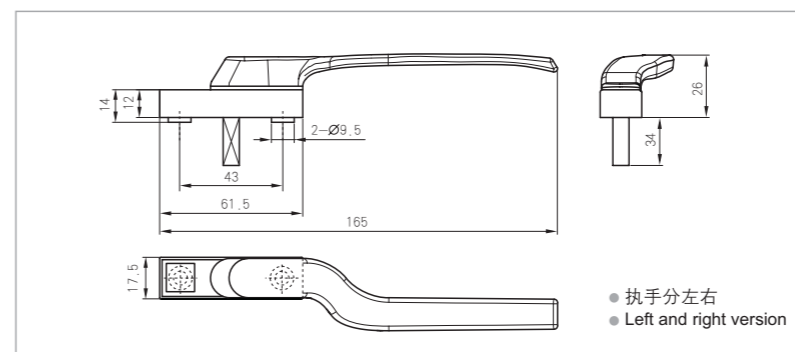
CZ19A



CZ20



CZ22



CZ32

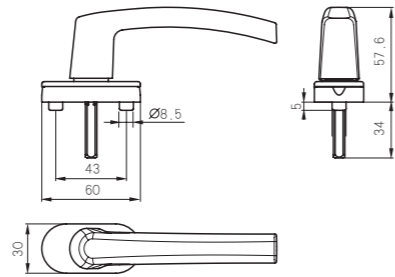
Multi-point Lockable Handle Series

多点锁执手系列

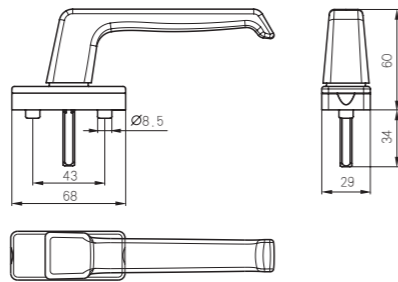
Multi-point Lockable Handle Series

多点锁执手系列

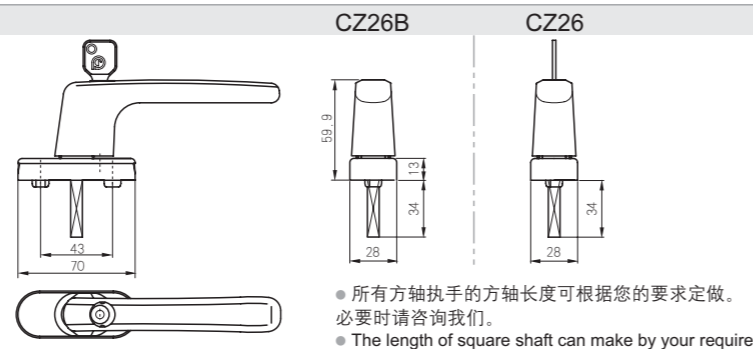
CZ23



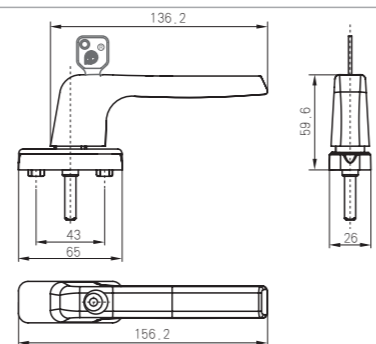
CZ25



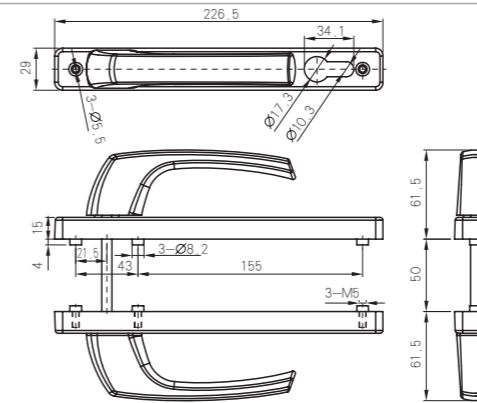
CZ26



CZ47



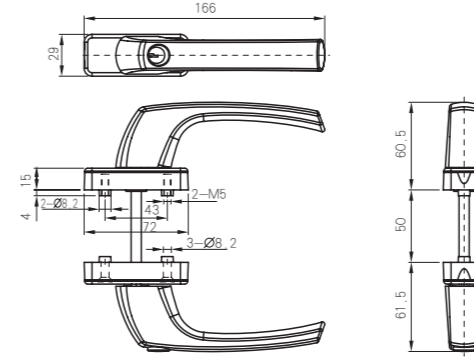
CZ50A



- 方轴长度可按要求定做。
- 执手只适用于CH34-TA、BTM3501A、BPM3501A传动锁闭器。
- 7x7mm方轴,方轴长度=扇料厚度+65/70mm, 配M5沉头螺丝, 螺丝长度=扇料+20mm。

- Shaft length can be made as per your requirements.
- Handle can be used for CH34-TA,BTM3501A,BPM3501A transmission device.
- 7x7mm shaft,shaft length=sash width+65/70mm,with M5counter-sunk screw. Screw length=sash length+20mm.

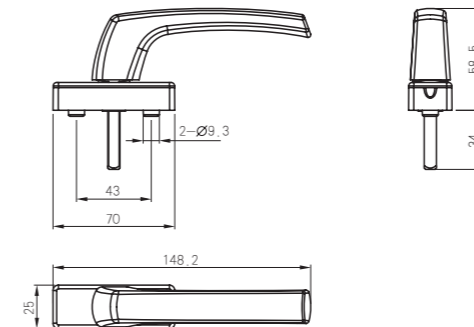
CZ50



- 方轴长度可按要求定做。
- 7x7mm方轴,方轴长度=扇料厚度+65/70mm, 配M5沉头螺丝, 螺丝长度=扇料+20mm。

- Shaft length can be made as per your requirements.
- 7x7mm shaft,shaft length=sash width+65/70mm,with M5counter-sunk screw. Screw length=sash length+20mm.

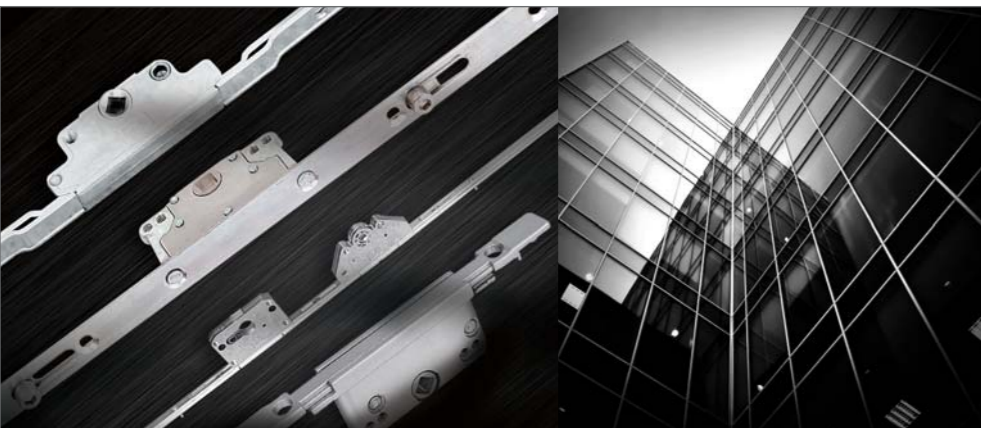
CZ51



- 用在外平开窗时, 只能配用BWC20T系列传动锁闭器 (中心距: 22.5MM)。
- 方轴长度按客户要求订做。

- Only BWC20T series transmission device can be used when it is used for outward opening window.(center distance:22.5MM)
- Shaft length can be made as per your requirements.

Multi-point Transmission Device Series



传动锁闭器

JG/T126-2007

定义：控制门窗扇锁闭和开启的杆形、带锁点的传动装置。

主要性能指标：齿轮驱动式传动锁闭器承受 $25\text{N}\cdot\text{m}\sim 26\text{N}\cdot\text{m}$ 力矩的作用后，各需要不断、无损坏；连动式传动锁闭器承受 1000N 静拉力作用后，各需件不断、脱落；传动锁闭器可循环25000次，无扭曲、无变形，可正常使用。

适用范围：平开门窗，推拉门。

Transmission Device

JG/T126-2007

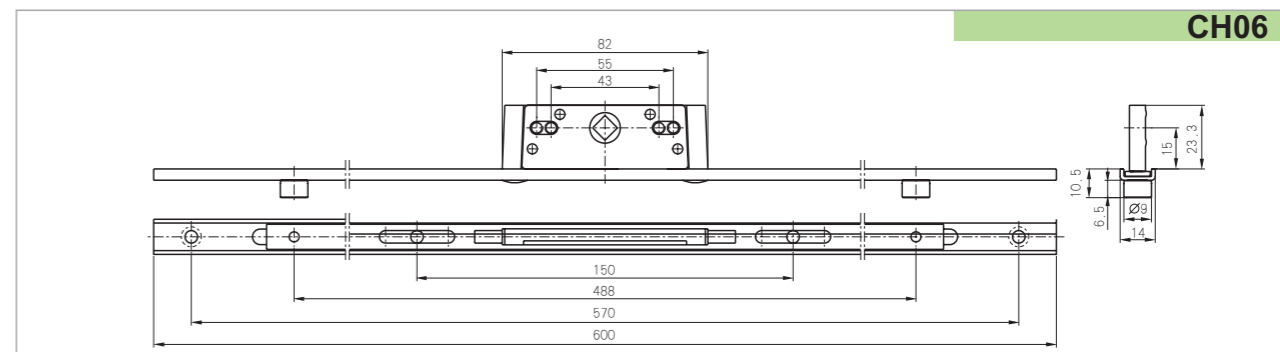
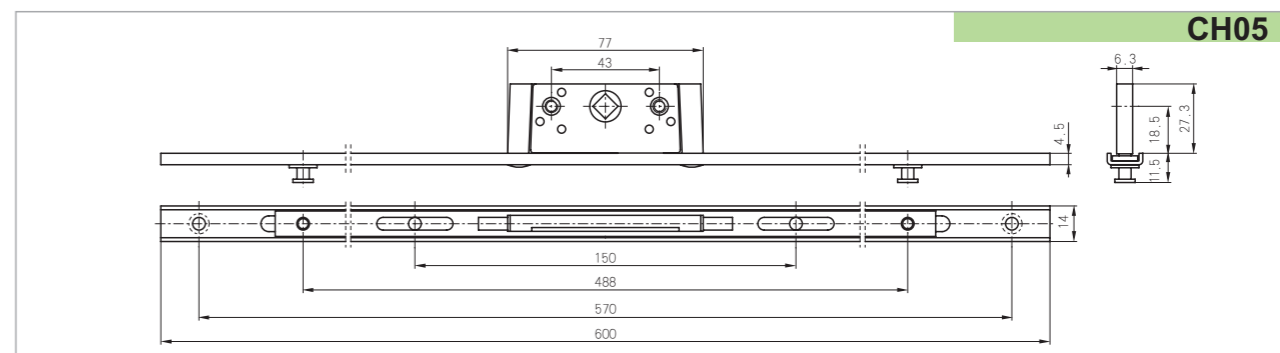
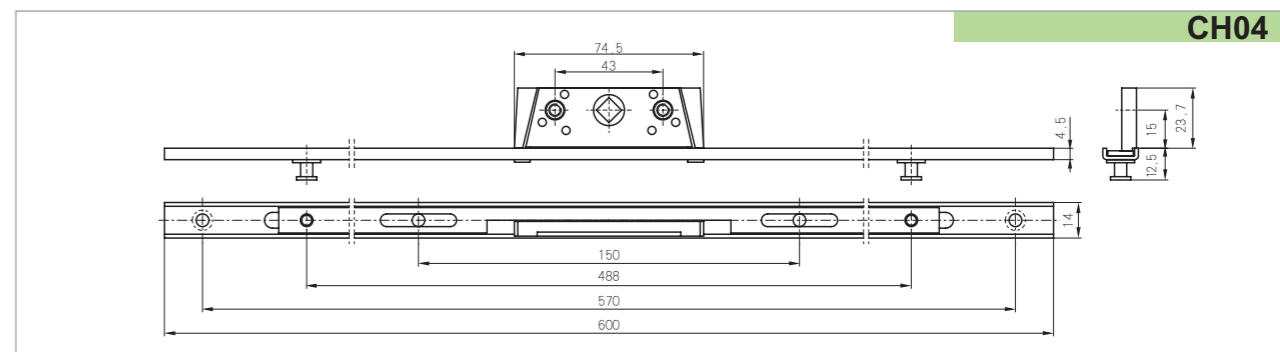
Definition:

The device that controls the lock and transmission of window and door.

Performance index:

After exposure of $25\text{N}\cdot\text{m}\sim 26\text{N}\cdot\text{m}$, gear-driven transmission device, the parts won't brake and damage. Even after the transmission locking device withstand a 1000N static tensile, the parts won't brake and shed. Transmission lock closed circulation 25,000, no distortion and deformation, in working order.

Use in : Casement door and sliding door.



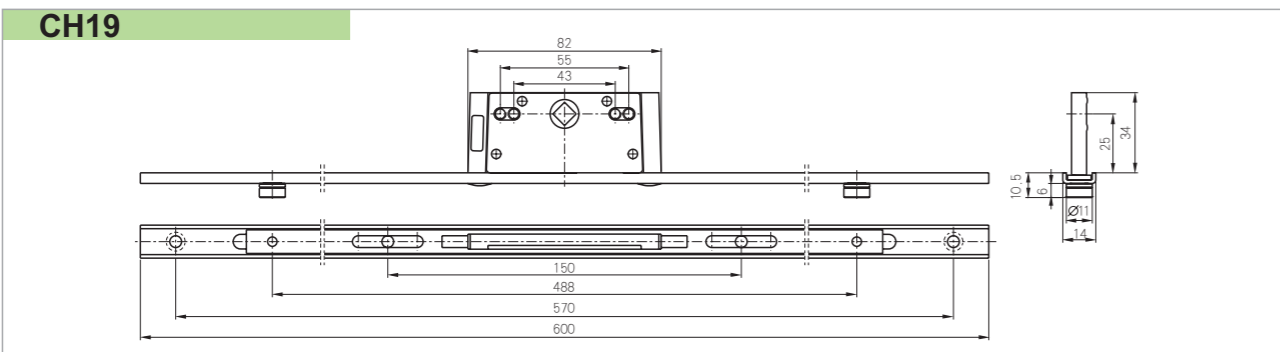
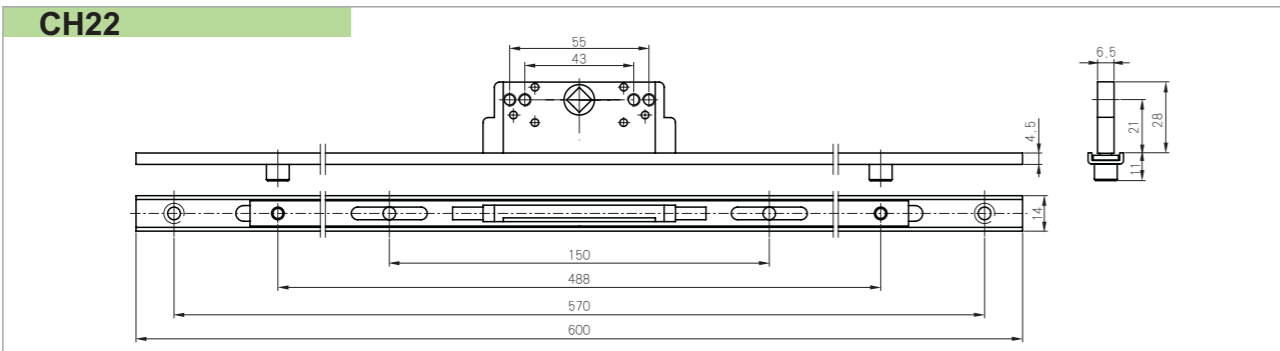
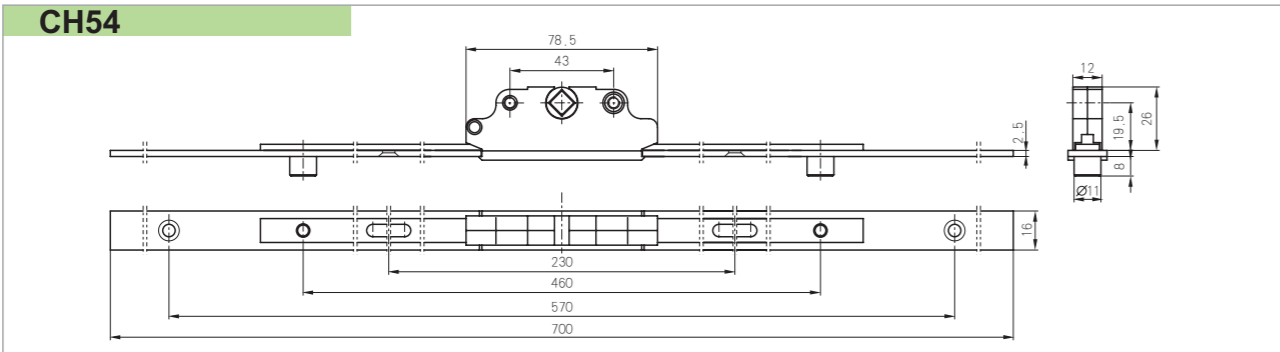
Multi-point Transmission Device Series

传动锁闭器系列

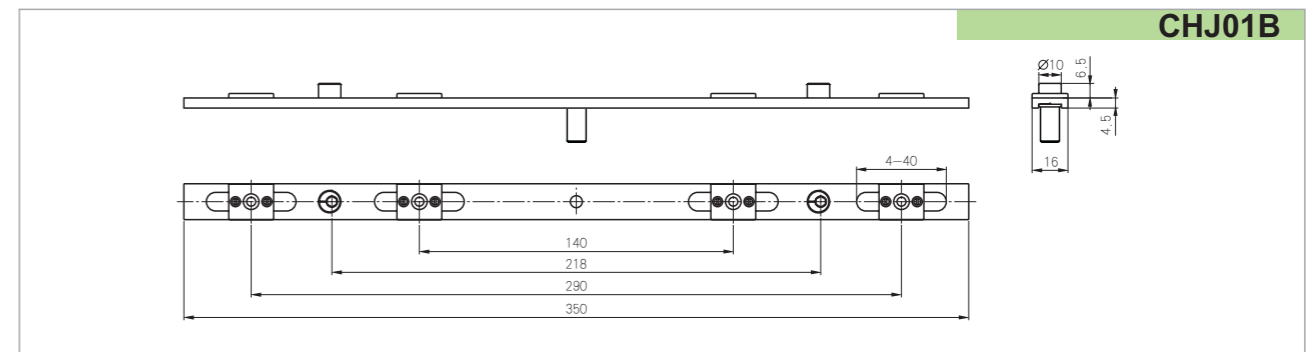
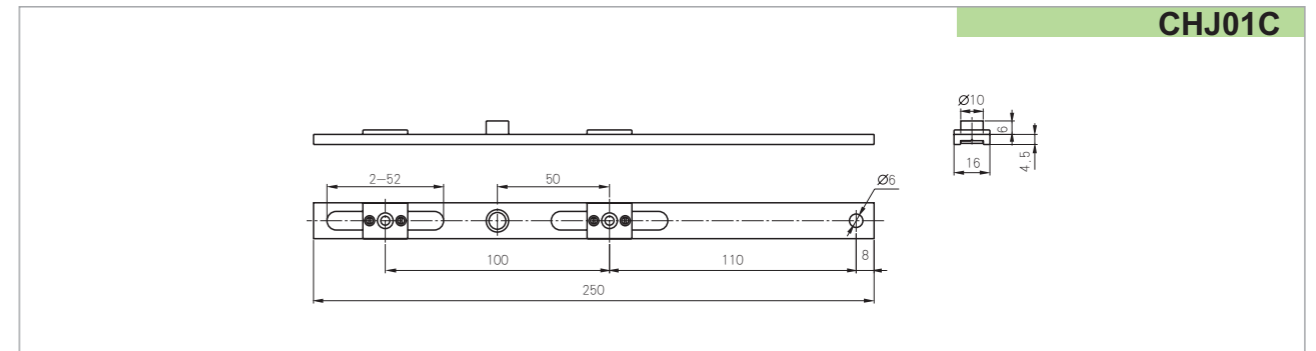
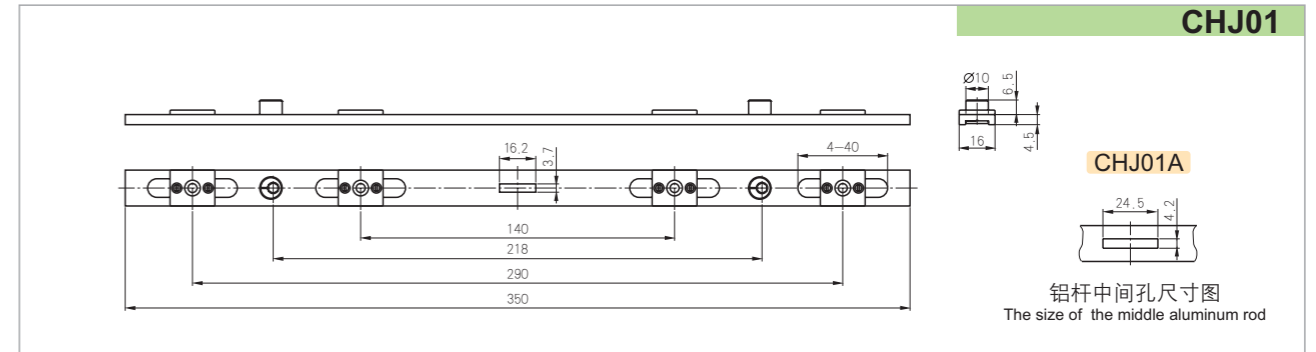
Multi-point Transmission Device Series

传动锁闭器系列

- 选用最优良的不锈钢制造，特别适合海洋性气候环境，耐腐蚀。
- 标准连杆有400, 600, 800, 1000, 1200, 1400, 1600各款尺寸可供选择。
- 特殊规格铝连杆可根据客户要求定做。
- It is made of the best stainless steel, especially suitable for maritime climate and anti-corrosive.
- The length of standard transmission rod is flexible in 400, 600, 800, 1000, 1200, 1400 and 1600mm.
- Transmission rod with special specification can be made as per your request.



- 标准铝连杆有400, 600, 800, 1000, 1200, 1400, 1800各款尺寸可供选择。
- 另铝连杆可根据客户要求定做。
- The length of standard transmission rod is flexible in 400, 600, 800, 1000, 1200, 1400 and 1800mm;
- Transmission rod with special specification can be made as per your request.



Multi-point Transmission Device Series

传动锁闭器系列

Multi-point Transmission Device Series

传动锁闭器系列

- 标准铝连杆有400, 600, 800, 1000, 1200, 1400, 1800各款尺寸可供选择。
- 另铝连杆可根据客户要求定做。
- The length of standard transmission rod is flexible in 400, 600, 800, 1000, 1200, 1400 and 1800mm;
- Transmission rod with special specification can be made as per your request.

CH20



CHJ03A



CHJ03B



CH40



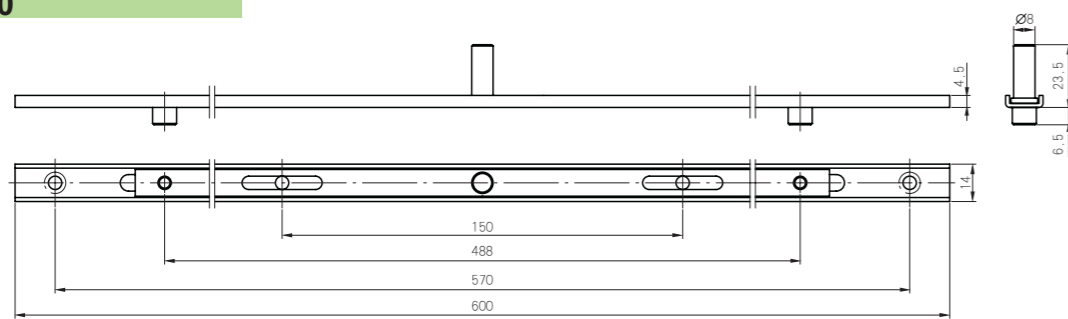
CH41



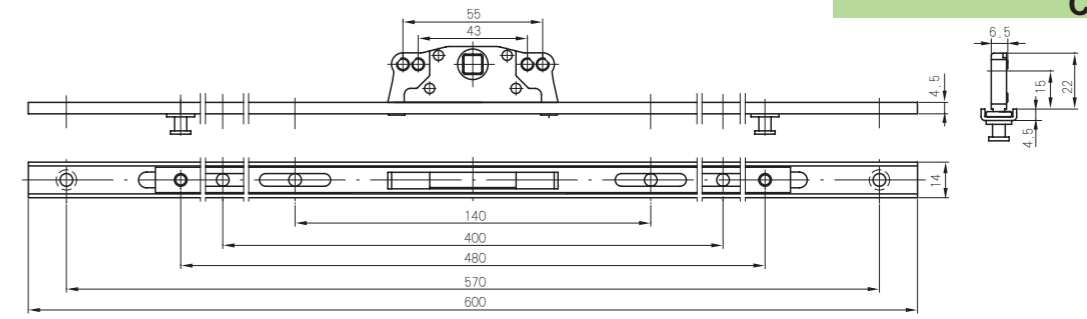
CH42

- 标准铝连杆有400, 600, 800, 1000, 1200, 1400, 1800各款尺寸可供选择。
- 另铝连杆可根据客户要求定做。
- The length of standard transmission rod is flexible in 400, 600, 800, 1000, 1200, 1400 and 1800mm;
- Transmission rod with special specification can be made as per your request.

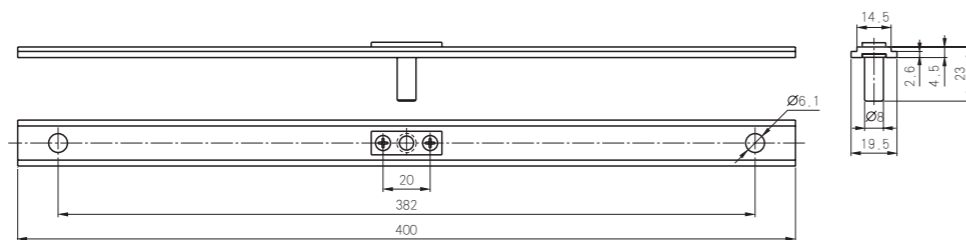
CH20



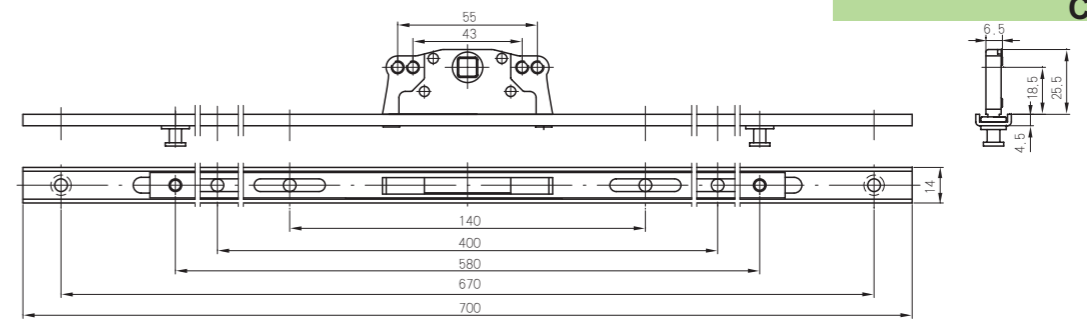
CH40



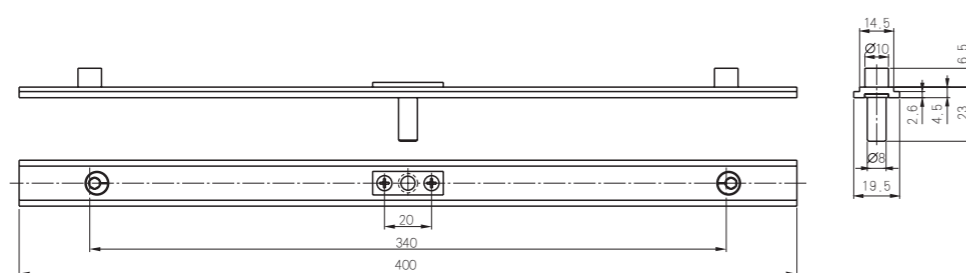
CHJ03A



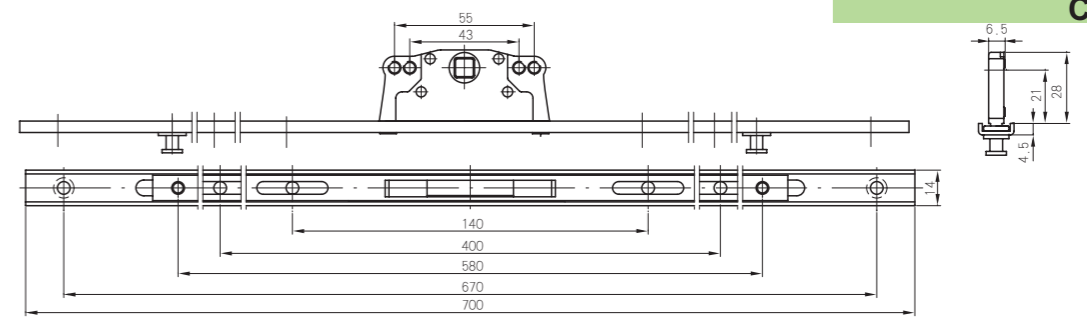
CH41



CHJ03B



CH42



Multi-point Transmission Device Series

传动锁闭器系列

Multi-point Transmission Device Series

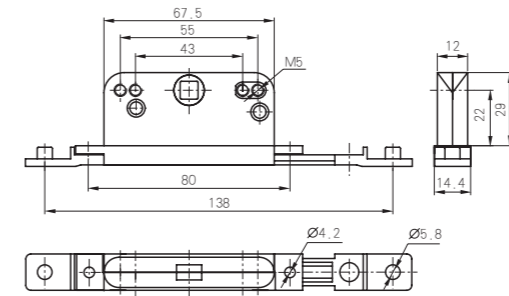
传动锁闭器系列

- 标准铝连杆有400, 600, 800, 1000, 1200, 1400, 1800各款尺寸可供选择。
- 另铝连杆可根据客户要求定做。
- The length of standard transmission rod is flexible in 400, 600, 800, 1000, 1200, 1400 and 1800mm;
- Transmission rod with special specification can be made as per your request.

CH44



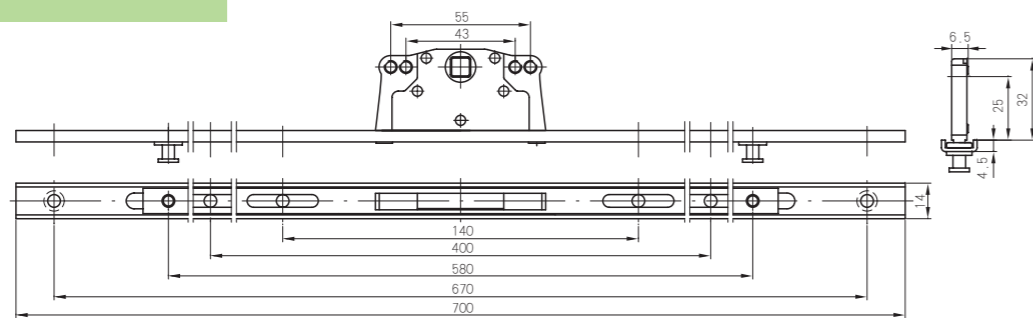
CH45



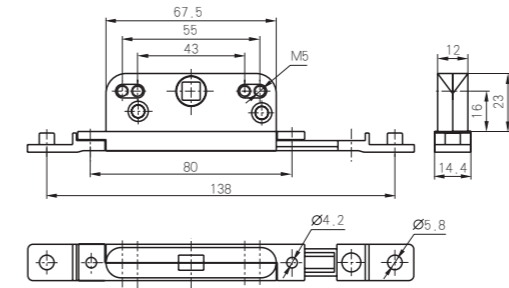
CH10



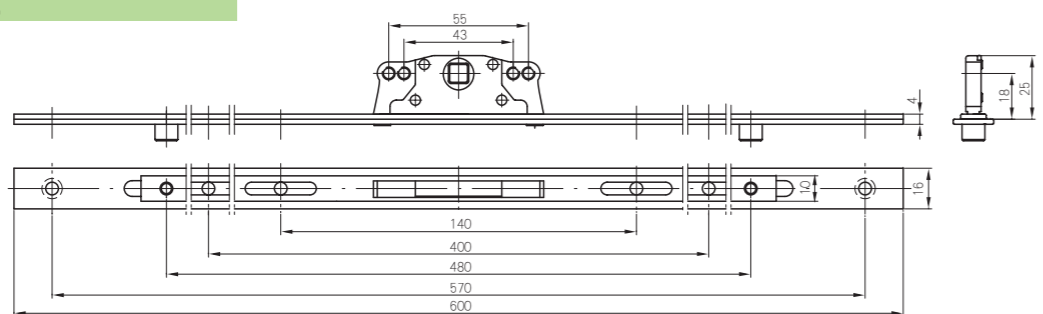
CH43



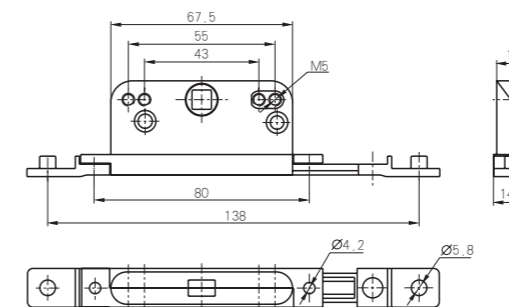
CH15



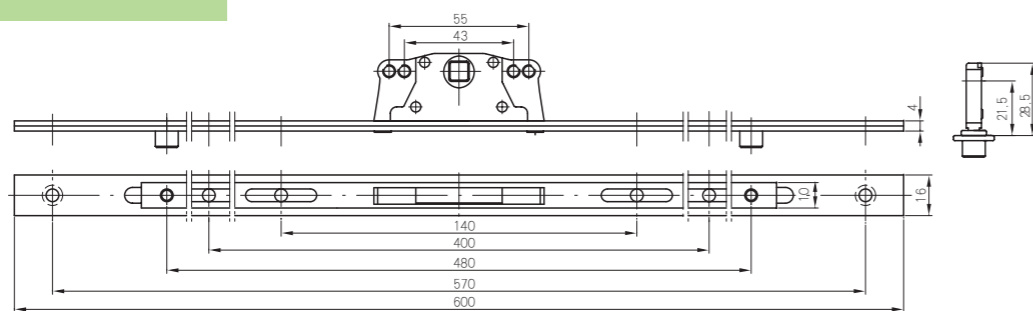
CH44



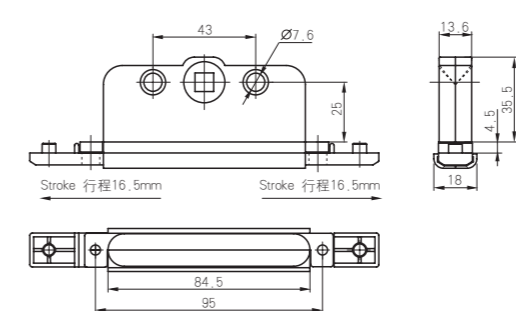
CH23



CH45



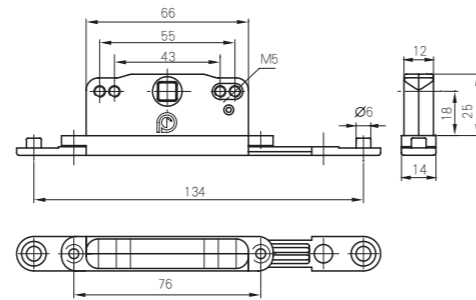
CH25



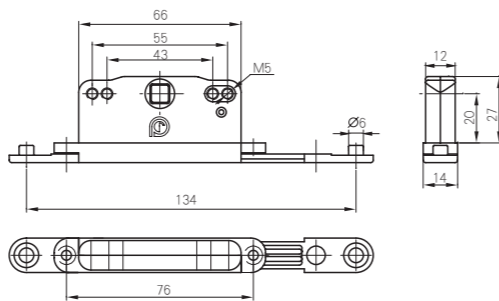
Multi-point Transmission Device Series
传动锁闭器系列

Multi-point Locking Holder Series
多点锁锁座系列

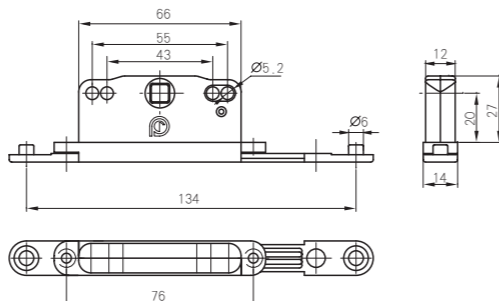
CH26



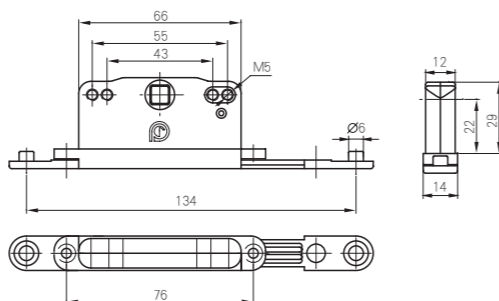
CH27B



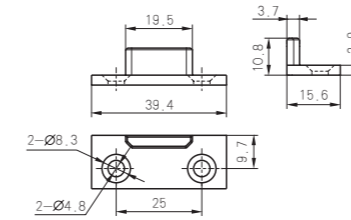
CH27C



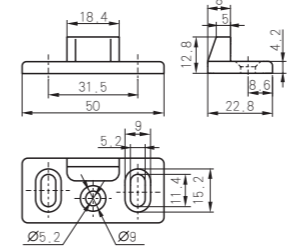
CH28B



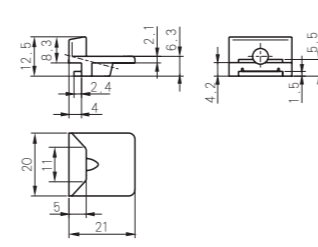
CKG01



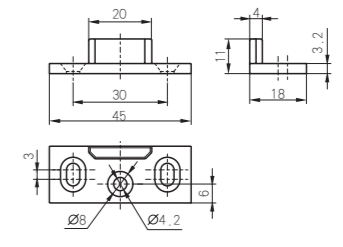
CKG03



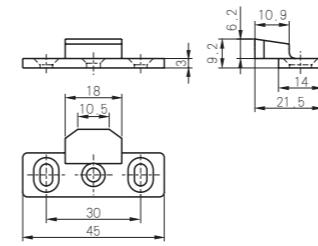
CKG05



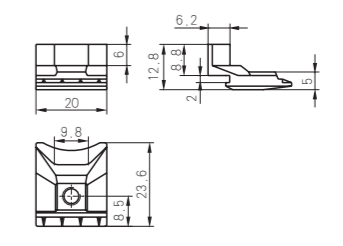
CKG07



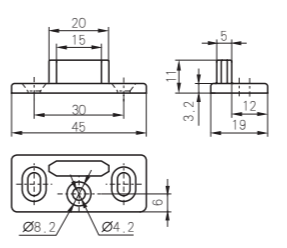
CKG08



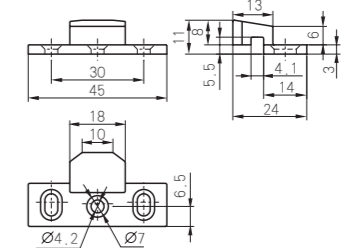
CKG14

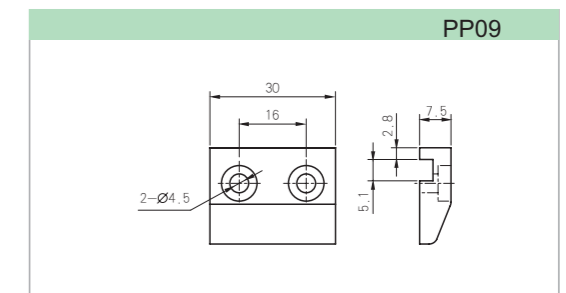
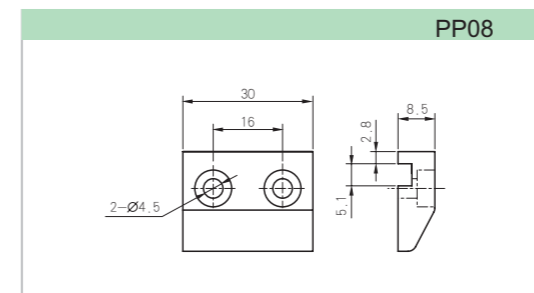
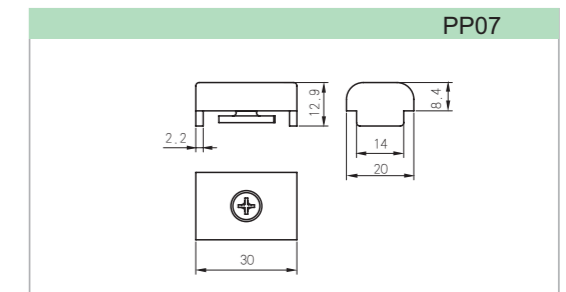
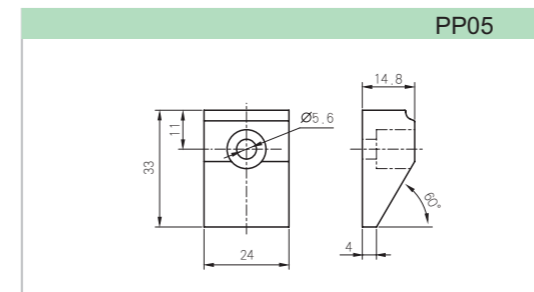
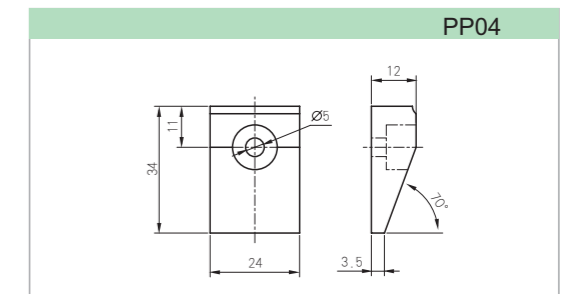
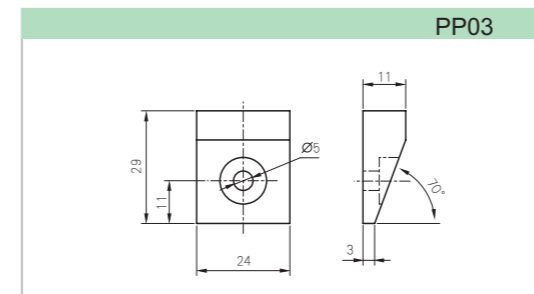
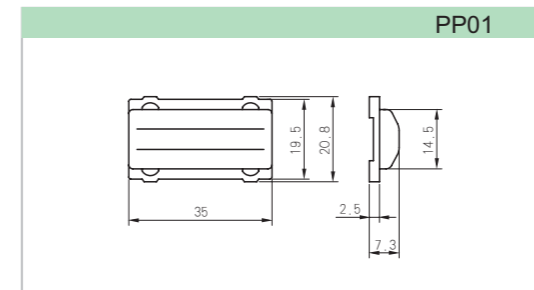
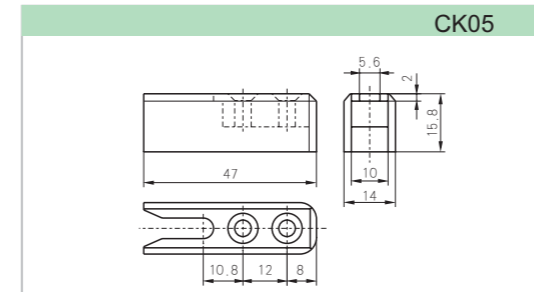
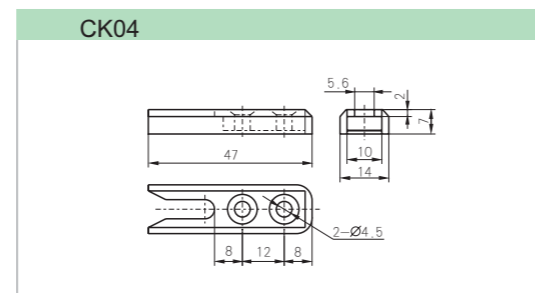
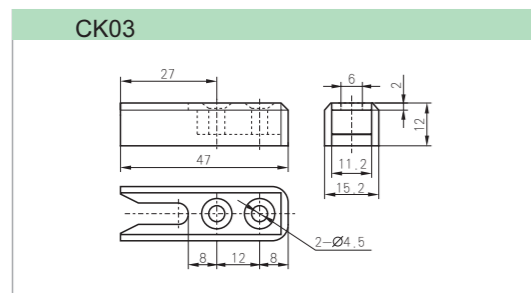
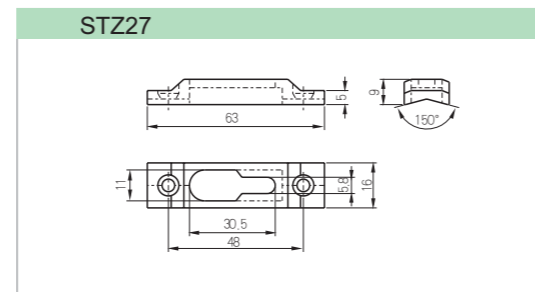
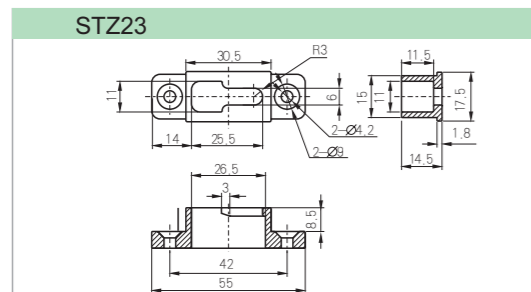
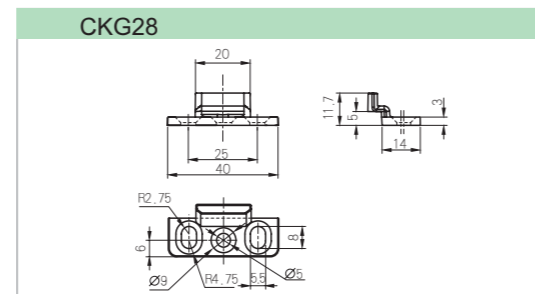
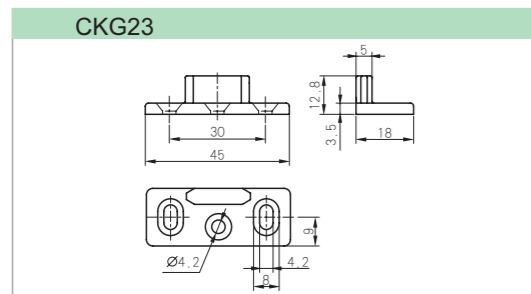
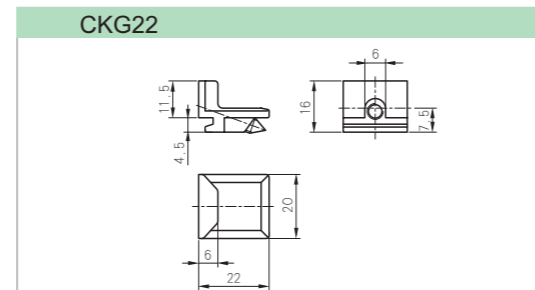
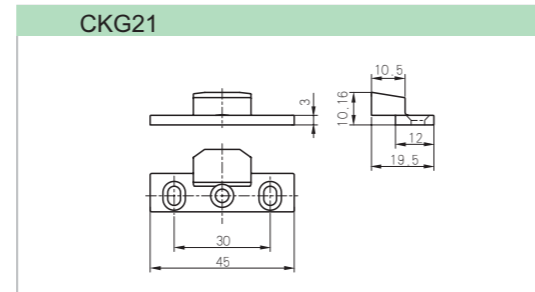


CKG17



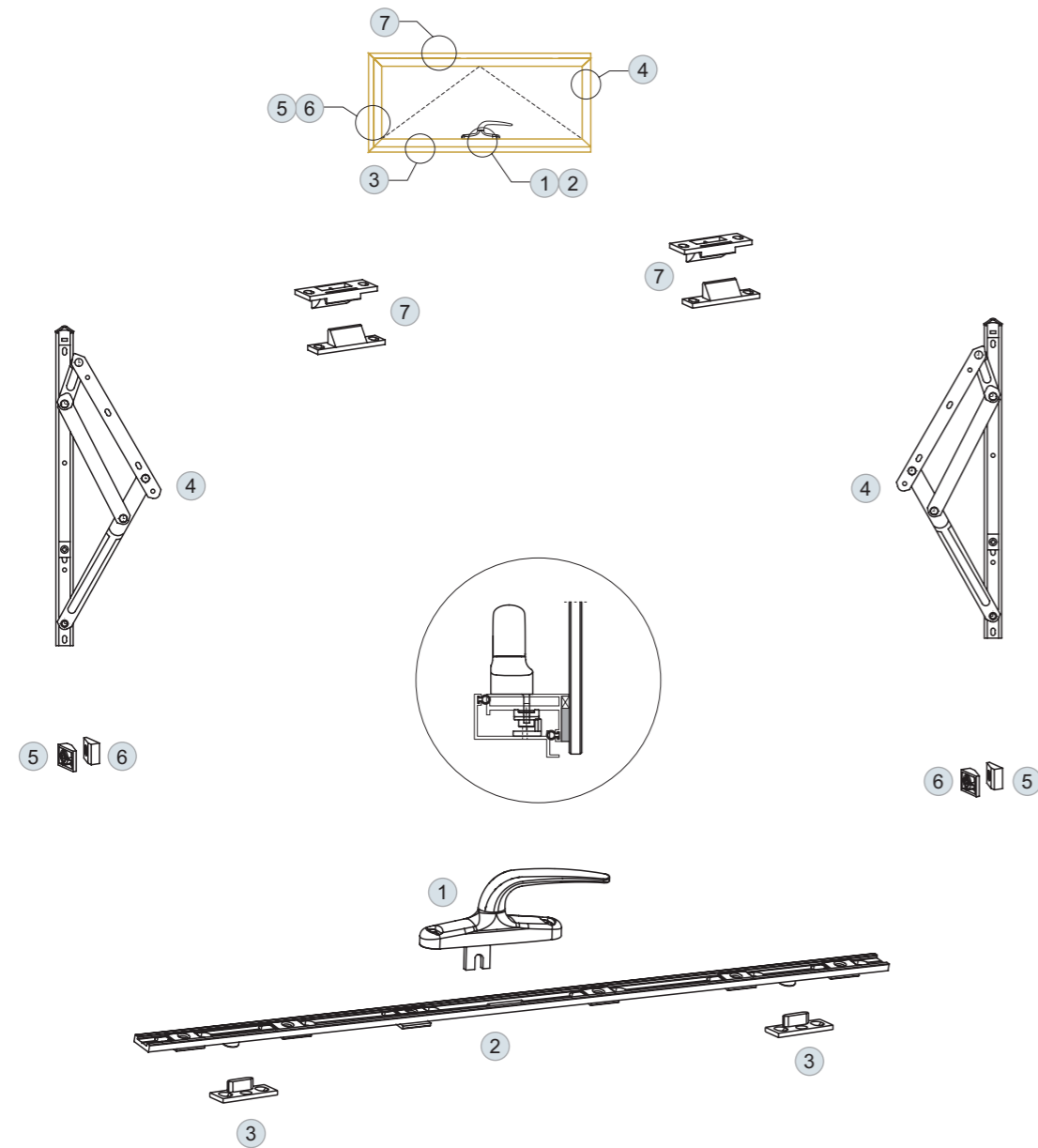
CKG18





Light Top-hung Window Series 轻型上悬窗系列

Installation Diagram Of Outside Top-hung Windows 外上悬窗安装示意图



● 轻型上悬窗配置 Light Top-hung Window Components

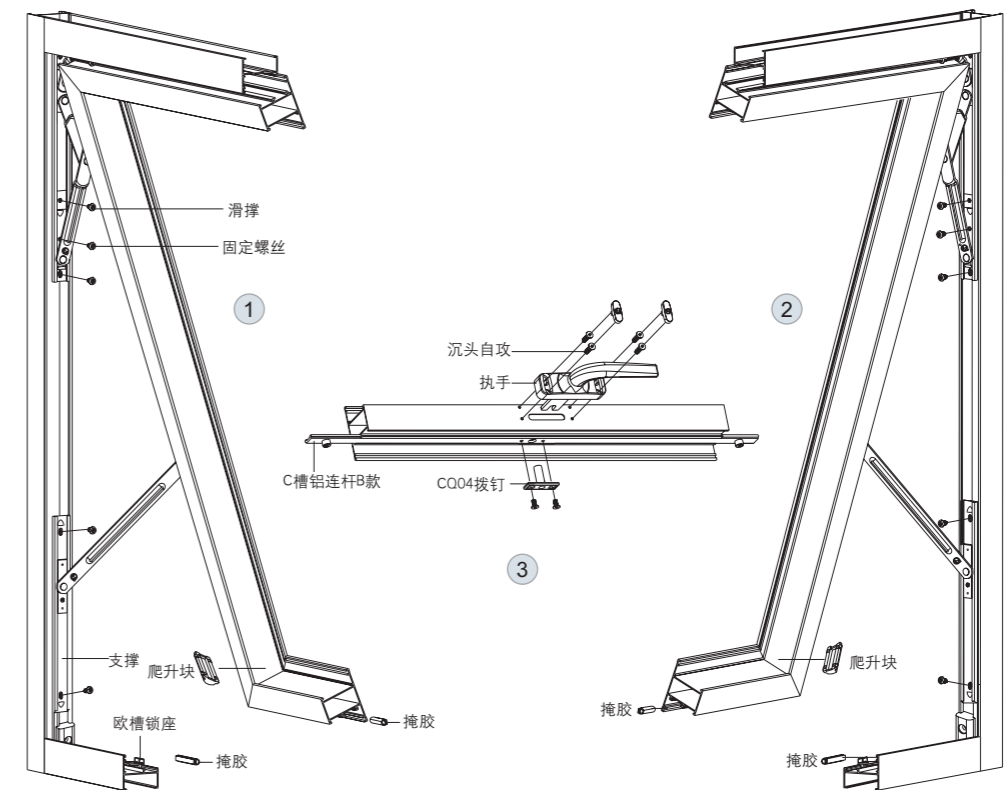
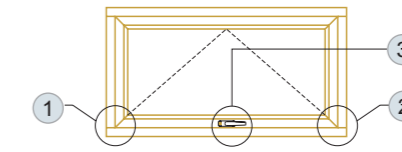
序号 No.	产品名称 Description	产品编号 Code	数量 QTY	备注 Remark
1	CZH05A 执手 CZH05A Handle	CZH05A	1	
2	单支槽铝连杆A款 Aluminum Rod	CHJ01A	1	
3	CKG07 锁座 Lock Holder	CKG07	2	
4	HHKX 系列上悬窗滑撑 Friction Stay	HHKX	2	根据窗型选用 Based On Window Type
5	PP09 爬升块 Elevating Block	PP09	2	
6	PP08 爬升块 Elevating Block	PP08	2	
7	扶边块 Lifting Block	PK02	2	可选件 Optional Accessories
8	胶条 Rubber Seal			

● 配置说明:

- 本配置适用于窗型较小的轻型幕墙上悬窗和普通上悬窗中。
- 本配置执手有多种不同款色可供选择。
- 选用不同时滑撑承重不一样，具体参数见后面滑撑系列。

● Configuration

- This configuration is suitable for light top-hung window and ordinary top-hung window;
- The handles in various colors are available;
- Different frictions stay bears different weight. For specific technical parameter, please refer to the following friction stay series.



● 注意事项:

- 1、请根据我司提供的相关配置图正确选用合理的五金及优质的密封胶条，并按图开孔安装，它是成为优良门窗的保证。
- 2、窗户的框与扇角连接必须牢固可靠。
- 3、以上配置为普通外上悬窗安装示意图，配件有多种选择，可根据型材匹配。
- 4、对于高比宽明显大，同时窗型较小时，可只选用滑撑。

● Attention

- Choose suitable hardware and high quality rubber gasket as per this configuration figure. That can ensure fine doors and windows.
- The corner connection of frame and sash must be firm.
- This is installation diagram for ordinary hanging outside windows. The accessories are flexible to match different profiles;
- For light windows with bigger height than width, it's feasible to only use friction stay.

Multi-point Locking Series For Curtain Walls 幕墙多点锁系列

● 幕墙多点锁配置
Multi-point locking components for curtain walls

序号 No.	产品名称 Description	产品编号 Code	锁2点 2 locking points	锁3点 3 locking points	锁4点 4 locking points	锁5点 5 locking points	锁6点 6 locking points
1	CZH04B执手 CZH04B Handle	CZH04B	1	1	1	1	1
2	多点锁拉杆 Multi-point Locking Pulling Rod	CHJ02	1	1	1	1	1
3	多点锁连杆 Multi-point Locking Linking Rod	CL04	2	2	2	2	4
4	多点锁锁座 Multi-point Locking Holder	CKG03	2	3	4	5	6
5	20槽转角器 Corner Device	CC04			2	2	2
6	HH2系列双支点滑撑 Friction Stay	HHKS	2	2	2	2	2
7	22方槽支撑 Limiter Stay	DK	2	2	2	2	2
8	PP08爬升块 Elevating Block	PP08	2	2	2	2	2
9	PP09爬升块 Elevating Block	PP09	2	2	2	2	2
10	扶边块 (可选件) Lifting Block	PK02	2	2	2	2	2

● 配置说明:

- 本配置适用于带欧式槽的上悬窗中。
- 其中桔色图形五金件为客户选配件。
- 本配置仅供参考,有多款执手可供选择,锁点可按客户要求配置。
- 选用不同的滑撑和支撑承重不一样,具体参见后面滑撑系列。

● Configuration

- this configuration is suitable for top-hung Window with european groove;
- Items in orange are selective;
- It's only for reference: various types of handles are available, and the number of locking points depends on your requirements;
- Different friction stays and supports can bear different load. For further information, please refer to the following friction stay series.

Diagram illustrating the assembly of the multi-point locking system components, including handles, rods, holders, corner devices, friction stays, and elevating blocks.

Friction stay Series



滑撑 JG/T127-2007

定义: 用于连接窗框和窗扇, 支承窗扇, 实现启闭的多杆件装置。

性能指标:

- 1、一组滑撑的自定位力可调整到不小于40N。
- 2、外开窗滑撑的启闭力不应大于40N, 在0~300mm的开启范围内, 外开上悬用滑撑的启闭力不应大于40N。
- 3、反复启闭25000次后, 窗扇启闭力不应大于80N。

使用范围: 外平开窗(窗扇宽度小于750mm), 外上悬窗(窗扇开启最大极限距离300时, 扇高度应小于1200mm)。

Friction Stay JG/T127-2007

Definition:

The device that is applied for connection of window frame and sash, supporting window sash and realizing opening and closing function.

Performance index:

1. A group of self-positioning force sliding brace can be adjusted to $\geq 40N$
2. The friction stay of outward opening window hoisting capacity $\leq 40N$.
Open range from 0 to 300mm, the friction of open top-hung window hoisting capacity $\leq 40N$.
3. Repeatedly open and close, the sash hoisting capacity $\leq 80N$.

Scope of application:

window sash width < 750mm
open top-hung window: when reach 300, the maximum limit of distance, the window sash height < 1200mm.

Selection And Installation Of Friction Stay

滑撑的选用和安装

● 滑撑的选用

- 滑撑的选用需根据窗户的重量和窗型大小确定:
 1. 滑撑的要求承重=窗扇的重量(玻璃重量+窗扇型材重量) × 安全系数1.3-1.5。由窗重查《滑撑铝窗规格表》得到滑撑所满足承重要求的系列或规格。
 2. 滑撑的长度规格选用: 一般情况下是窗宽的2/3, 如果窗户较轻时, 可以为1/2。上悬窗在选用铰链时, 一般情况下选用的铰链为窗高的1/2。
 3. 根据分别满足第1、2项窗重和窗户尺寸的要求从滑撑铝窗规格表中查得滑撑的规格长度。
 4. 窗扇的最大开启角度还与滑撑系列的选用及安装位置有关。
 5. 窗扇的宽高比应小于1.5。
 6. HH2、HHKX系列滑撑一般用于上悬窗, HH3系列单支点滑撑一般用于外平开窗。

● The selection of friction stay

- The selection of friction stay depends on the window weight and size.*
- 1, Required bearing load of friction stay= the weight of sash(glass weight+ profile weight) x safety factor;
 - 2, The selection of its length. Generally, the length of friction stay is 2/3 of the window width. For lighter one, 1/2 of the window width. For top-hung windows, generally 1/2 of the window height.
 - 3, The length of friction stay can be referred according to the above two requirements.
 - 4, The utmost opening angle of the sash is relevant with the selection of friction stay and installation.
 - 5, Make the aspect ratio of sash and frame lower than 1.5.
 - 6, HH2, HHKX are for top-hung window, HH3 for outward opening window.

► HHKX 系列上悬窗滑撑 HHKX Top-hung Window Friction stay series



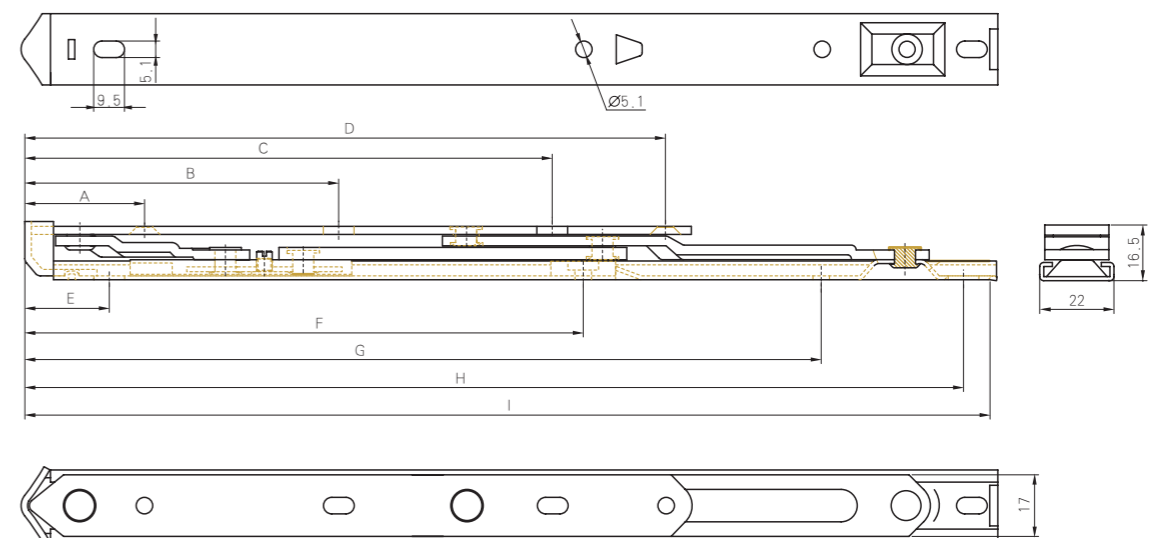
- 选用最优良的不锈钢制造。
 - 特殊的结构设计, 不需附加支撑, 打开窗户即能保持窗户在任何角度, 不会因重力而滑下。
 - 可分节调节开启角度。
 - 用于轻型上悬窗中, 可单独使用, 用于重型窗时需增加支撑。
 - 符合JG/T 127-2007《建筑门窗五金件—滑撑》标准。
 - 因技术改进和产品通用性提高, 不能及时更新, 以下参数仅供参考, 具体尺寸参数以实物为准。
 - 窗型宽高比不能大于1.5倍。
- Material: excellent stainless steel
 - Special- designed structure make the sash remain at any angle without slipping .
 - Adjust the opening angle by joint
 - For lighter window, use single pair. For heavier one, extra supporting arm is need.
 - Comply with JG/T127-2007 standards.
 - Untimely update because of technical and product commodity improvement; below parameters are just for reference (detail size parameters are subject to real object)
 - Make the aspect ratio of sash and frame less than 1.5.

● HHKX系列上悬窗滑撑 HHKX Top-hung Window Friction stay series

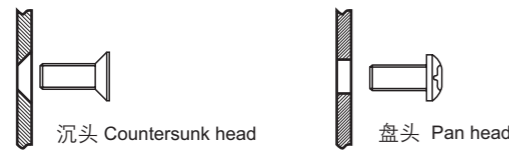
规格 Specification	A	B	C	D	E	F	G	H	I
HHKX12	37.5	97.5	163.5	198.5	32	178.5	248	292	300
HHKX14	37.5	97.5	156.5	198.5	32	202.5	300	344	352
HHKX16	37.5	97.5	198.5	245	32	203.5	360	404	412

● HHKX系列上悬窗滑撑 HHKX Top-hung Window Friction stay series

规格 Specification	HHKX12	HHKX14	HHKX16
开窗角度 ^a Opening Angle	<40	<35	<30/25
最大承重kg Maximum Load	35kg	40kg	45kg



● 滑撑紧固螺丝或螺钉的选用

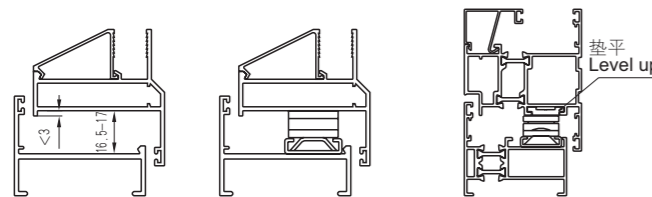


- 滑撑紧固采用M5 × 8不锈钢螺丝, 分别为: 沉头和盘头。
- 根据实际情况合理用螺丝或螺钉, 在此建议凡是有沉孔的地方必须用沉头, 其它地方如滑槽或没有沉孔的地方则用盘头, 这样才能保证其安装的牢固可靠性。(如上图)
- 必须使滑撑与窗扇及窗框紧密连接, 不得松动。所有螺丝孔都必须拧上螺丝或螺钉, 少一个都必将影响到滑撑使用时的拉力。
- 建议有必要的情况下, 铝型材底部垫上衬钢, 固定采用盘头螺丝。

● The selection of stainless steel screw

- Adopting stainless steel screw M5 x 8 to fasten the friction stay.
- Select the screw on conditions, for the solidity and reliability ,here we suggest countersunk head screw must be used at anywhere there is a countersunk and pan head screw at other place like chute. (Depicted above)
- Friction stay must install closely with the sash and frame without any movement. All the screw holes must be twisted with screws; which may affect friction's pull in use.
- We suggest putting steel lining on the bottom of the aluminum profile and adopting pan head screw to fasten when necessary.

● 滑撑对型材的配合要求与安装



- 安装滑撑时应保证窗框扇之间的距离为滑撑的叠高, 一般为16.5~17毫米, 不同的系列及规格有不同的叠高, 具体技术参数见后面滑撑系列和实物。
- 安装时还应注意滑撑应尽量靠窗框的外边缘, 三角头要靠框边放, 同时保证上下两支滑撑要同在一垂直面上。

● The installation and its requirements on profile

- The gap between sash and frame is stack height of friction stay during installation, generally 16.5-17mm. Different stack height in different series and specifications. For the specific technical parameter, refer to friction stay series.
- The friction stay should close the outward edge of window frame as near as possible during installation. The delta head is required to close install to the frame. Meanwhile ensure both upper and bottom friction stay on the same vertical.

● 滑撑的维护

- 滑撑需要定期的检查维护, 滑撑的底槽中不能落入沙子、水泥、石灰等硬质杂物和酸碱性腐蚀物, 及太多的灰尘等, 这样会使窗户在开关时不顺畅, 滑撑中应定期的加入一润滑油。

● The maintenance of friction stays

- Friction stay needs regular check and maintenance to stop hard debris and corrosive substance such as sand, cement and too much dust from falling into the bottom slot of friction stay. That will cause windows opening and closing not smoothly. And lube is needed to smear on it.

- 产品技术参数若有变化, 恕不另行通知, 必要时请咨询我司技术部。
If the technical parameter has changed, forgive us for no notice.
Please consult the technical department if necessary.

Friction Stay Series 滑撑系列

Friction Stay Series 滑撑系列

► HH2 系列双支点滑撑 Hh2 Double Supporting Points Friction Stay Series



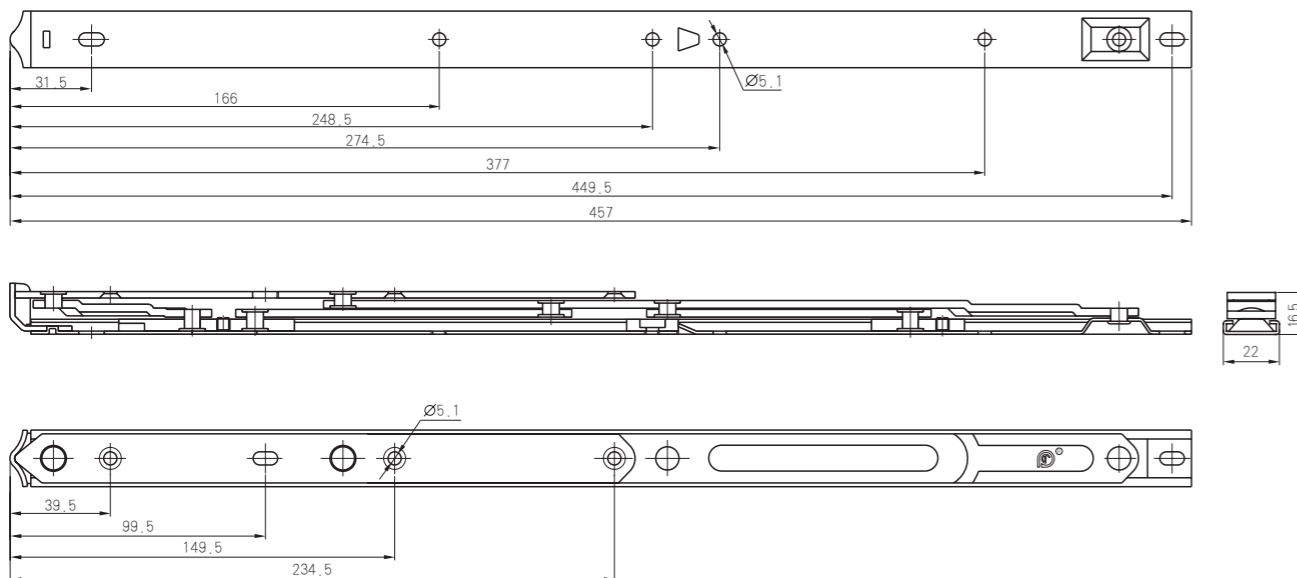
- 选用最优良的不锈钢制造。
- 质量符合英国BS6375，香港房屋署标准。
- 符合JG/T 127-2007《建筑门窗五金件—滑撑》标准。
- 可分节调节开启角度，极易操作。
- 五万次超重启闭测试后，保持功能良好。
- 特殊的抗挠曲专利设计，专业考究的制造工艺。
- 因技术改进和产品通用性提高，不能及时更新，以下参数仅供参考，具体尺寸参数以实物为准。

- Material: excellent stainless steel
- Comply with standards of Hong Kong Building Bureau and BS6375 of Britain.
- Comply with JG/T127-2007 standards.
- Easily adjust the opening angle by joints
- Works well after overloading tests of 50000 times.
- Special-designed flexing resistance patent, professional manufacturing technique.
- Untimely update because of technical and product commodity improvement; blow parameters are just for reference (detail size parameters are subject to real object)

● HH2系列双支点滑撑：HHKS18铝窗规格 HH2 Double Supporting Points Friction Stay series: The Specification of HHKS18 Aluminum Window

规格 Specification	窗最高(mm) Height upper limited	窗最宽(mm) Width upper limited	窗最重(kg) Maximum load	开启角度 Opening angle
HHKS18	1500	800	46	<45° / 90°

18寸上悬窗专用撑 HHKS18



► HH2 系列双支点滑撑 HH2 Double Supporting Points Friction Stay series



- 选用最优良的不锈钢制造。
- 质量符合英国BS6375，香港房屋署标准。
- 符合JG/T 127-2007《建筑门窗五金件—滑撑》标准。
- 可分节调节开启角度，极易操作。
- 五万次超重启闭测试后，保持功能良好。
- 特殊的抗挠曲专利设计，专业考究的制造工艺。
- 建设部门窗配套委员会推荐产品。
- 因技术改进和产品通用性提高，不能及时更新，以下参数仅供参考，具体尺寸参数以实物为准。

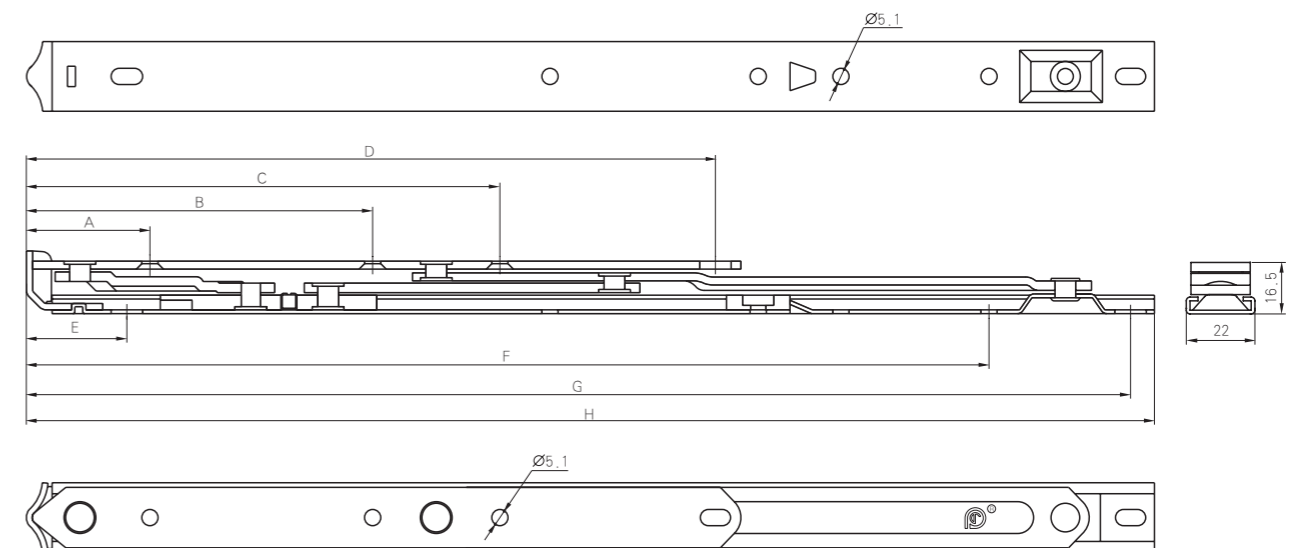
- Material: excellent stainless steel
- Comply with standards of Hong Kong Building Bureau and BS6375 of Britain.
- Comply with JG/T127-2007 standards.
- Easily adjust the opening angle by joints
- Works well after overloading tests of 50000 times.
- Special-designed flexing resistance patent, professional manufacturing technique.
- The product recommended by the window accessories committee of construction department.
- Untimely update because of technical and product commodity improvement; blow parameters are just for reference (detail size parameters are subject to real object)

● HH2系列双支点滑撑：HHKS10-HHKS16安装尺寸 HH2 Double Supporting Points Friction Stay series: The Installation dimension For HHKS10-HHKS16

规格 Specification	A	B	C	D	E	F	G	H
HHKS10	39.5	—	90	188	31.5	197	252	259.5
HHKS12	39.5	65.5	105.5	202.5	31.5	253.5	298	305.5
HHKS14	39.5	75.5	115.5	215.5	31.5	302.5	347	354.5
HHKS16	39.5	85.5	125	230	31.5	354.5	399	406.5

● HH2系列双支点滑撑：HHKS10-HHKS16铝窗规格 HH2 Double Supporting Points Friction Stay series: The Specification of HHKS10-HHKS16 Aluminum Window

规格 Specification	窗最高(mm) Height upper limited	窗最宽(mm) Width upper limited	窗最重(kg) Maximum load	开启角度 Opening angle
HHKS10	1500	600	28.5	<45° / 90°
HHKS12	1500	650	33.5	<45° / 90°
HHKS14	1500	700	38	<45° / 90°
HHKS16	1500	750	42	<45° / 90°



Friction Stay Series 滑撑系列

Friction Stay Series 滑撑系列

▶ HH3 系列单支点滑撑 HH3 Single Supporting Points Friction Stay series



- 选用最优良的不锈钢制造。
- 质量符合英国BS6375，香港房屋署标准。
- 符合JG/T 127-2007《建筑门窗五金件—滑撑》标准。
- 可分节调节开启角度，极易操作。
- 五万次超重启闭测试后，保持功能良好。
- 特殊的抗挠曲专利设计，专业考究的制造工艺。
- 建设部门窗配套委员会推荐产品。
- 因技术改进和产品通用性提高，不能及时更新，以下参数仅供参考，具体尺寸参数以实物为准。

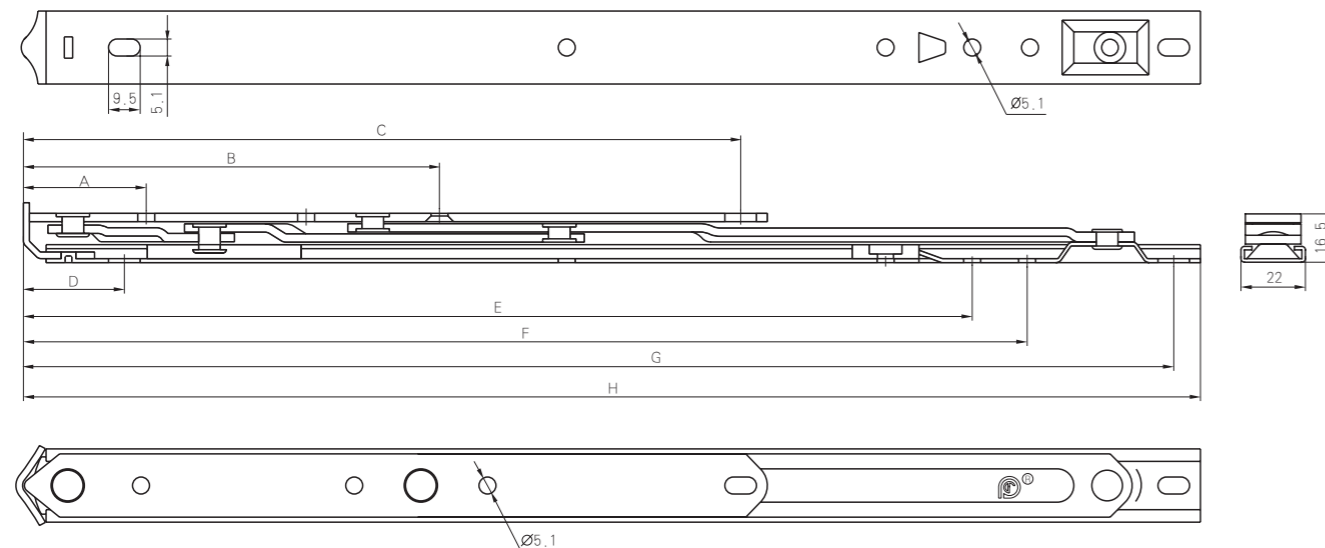
- Material: excellent stainless steel
- Comply with standards of Hong Kong Building Bureau and BS6375 of Britain.
- Comply with JG/T127-2007 standards.
- Easily adjust the opening angle by joints
- Works well after overloading tests of 50000 times.
- Special-designed flexing resistance patent, professional manufacturing technique.
- The product is recommended by the window and door accessories committee of Construction Department.
- Untimely update because of technical and product commodity improvement; below parameters are just for reference (detail size parameters are subject to real object)

● HH3系列单支点滑撑：HHK10—HHK18安装尺寸 HH3 Single Supporting Points Friction Stay series: The Installation dimension For HHK10-HHK18

规格 Specification	A	B	C	D	E	F	G	H
HHK10	38	88.5	186.6	30	196	—	250.7	258
HHK12	39	104.8	201.7	32	228	255	299.7	306
HHK14	39	115	215	32	236	303	347.5	357
HHK16	38	123.5	228.5	30	243	323	397.5	407
HHK18	39	134	239	32	253.3	374.8	449.5	458

● HH3系列单支点滑撑：HHK10—HHK18铝窗规格 HH3 Single Supporting Points Friction Stay series: The Specification of HHK10-HHK18 Aluminum Window

规格 Specification	窗最高(mm) Height upper limited	窗最宽(mm) Width upper limited	窗最重(kg) Maximum load	开启角度 Opening angle
HHK10	1500	500	24	<45° / 90°
HHK12	1500	600	28.5	<45° / 90°
HHK14	1500	650	33.5	<45° / 90°
HHK16	1500	700	38	<45° / 90°
HHK18	1500	750	42	<45° / 90°



● HHKA 系列单支点滑撑 HHKA Single Supporting Points Friction Stay series



- 选用最优良的不锈钢制造。
- 质量符合英国BS6375，香港房屋署标准。
- 符合JG/T 127-2007《建筑门窗五金件—滑撑》标准。
- 可分节调节开启角度，极易操作。
- 五万次超重启闭测试后，保持功能良好。
- 特殊的抗挠曲专利设计，专业考究的制造工艺。
- 建设部门窗配套委员会推荐产品。
- 因技术改进和产品通用性提高，不能及时更新，以下参数仅供参考，具体尺寸参数以实物为准。

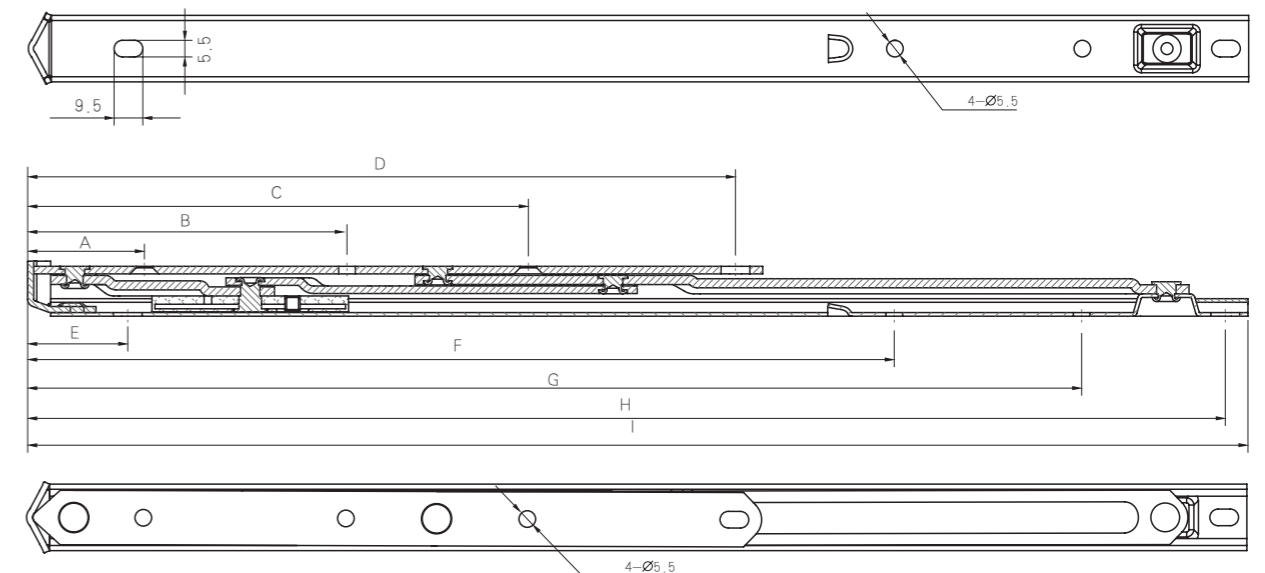
- Material: excellent stainless steel
- Comply with standards of Hong Kong Building Bureau and BS6375 of Britain.
- Comply with JG/T127-2007 standards.
- Easily adjust the opening angle by joints
- Works well after overloading tests of 50000 times.
- Special-designed flexing resistance patent, professional manufacturing technique.
- The product is recommended by the window and door accessories committee of Construction Department.
- Untimely update because of technical and product commodity improvement; below parameters are just for reference (detail size parameters are subject to real object)

● HHKA系列单支点滑撑：HHK10A—HHK16A安装尺寸 HHKA Single Supporting Points Friction Stay series: The Installation dimension For HHK10A-HHK16A

规格 Specification	A	B	C	D	E	F	G	H	G
HHK10A	38.6	63.6	123.6	174.6	28	215.6	260	/	260
HHK12A	40.6	85.6	135.6	198	33	242.6	305	/	305
HHK14A	38.6	83.6	133.6	207	33	250.5	295.5	345	295.5
HHK16A	38.6	105.6	165.6	234	29	282.5	344.5	392	344.5

● HHKA系列单支点滑撑：HHK10A—HHK16A铝窗规格 HHKA Single Supporting Points Friction Stay series: The Specification of HHK10A-HHK16A Aluminum Window

规格 Specification	窗最高(mm) Height upper limited	窗最宽(mm) Width upper limited	窗最重(kg) Maximum load	开启角度 Opening angle
HHK10A	1500	500	28	<87°
HHK12A	1500	600	32	<87°
HHK14A	1500	650	36	<87°
HHK16A	1500	700	38	<87°

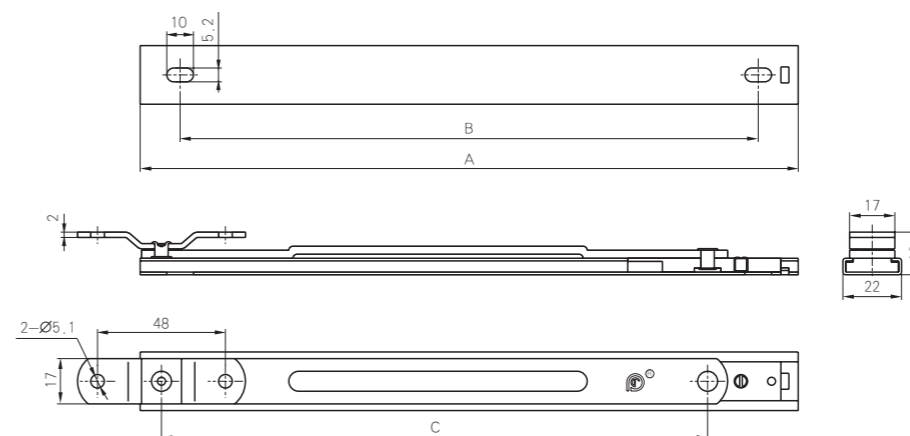


▶ 22 方槽支撑
 22 Square Groove Limiter Stay



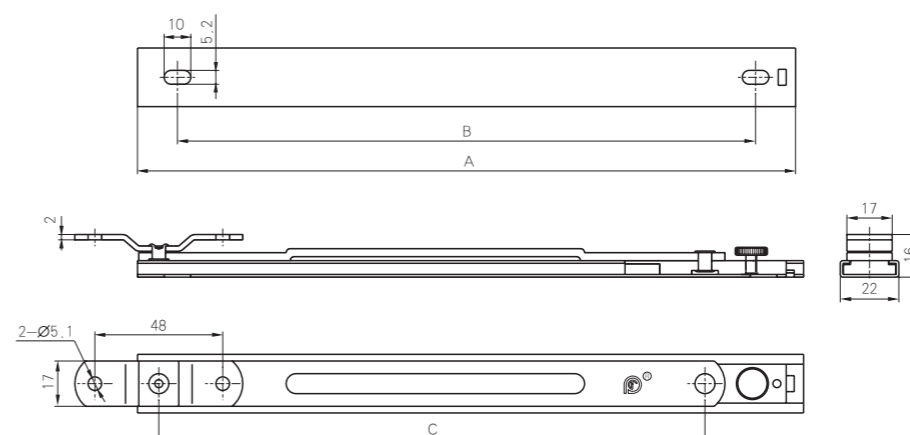
- 选用最优良的不锈钢制造。
 - 符合JG/T 128-2007《建筑门窗五金件—撑挡》标准。
 - 限位支撑是专门设计用来限制窗户的开启角度。
 - 限位支撑可用于平开窗、顶悬窗上。
- 其作用可：1、防止大风损坏窗户。
2、防止儿童从窗隙处坠下。

- Material: excellent stainless steel
- Comply with JG/T127-2007 standards.
- The limiter stay is especially designed for restricting opening angle.
- The limiter stay is used on casement window and top hug window to protect the window against strong wind and prevent children from falling down .



● 22方槽支撑
 22 Square Groove Limiter Stay

序号 No.	产品编号 Code	A	B	C
1	DK8	200	170	130
2	DK10	254	225	205
3	DK12	305	275.6	247.4
4	DK14	350	325	303



● 22方槽定位支撑
 22 Square Groove Limiter Stay

序号 No.	产品编号 Code	A	B	C
1	DK8A	200	170	130
2	DK10A	254	225	205
3	DK12A	305	275.6	247.4
4	DK14A	350	325	303

Limiter Stay Series



撑挡 JG/T128-2007

定义：能使开启的窗扇固定在一个预设位置的装置。

性能指标：

1、内开撑挡反复启闭10000次，摩擦力失效值不小于40N；上悬撑挡反复启闭5000次后，撑挡摩擦力不应小于40N。

2、锁定式撑挡的锁定力失效值不应小于200N，摩擦式撑挡的摩擦力失效不应小于40N。

使用范围：内平开窗，上悬窗。

Limiter Stay JG/T128-2007

Definition:

The device that makes the window sash fix on the pre-install position.

Functiona index:

1. After repeatedly opened and closed 10000 times, the failure value of inward opening window limiter stay $\geq 40N$.

After repeatedly opened and closed 5000 times, the failure value of top-hung window limiter stay $\geq 40N$.

2. Locking type limiter stay locking force invalid value $\geq 200N$.

Friction type limiter stay friction invalid value $\geq 40N$.

Scope of application: Casement window, top-hung window.

Limiter Stay Series 撑挡系列

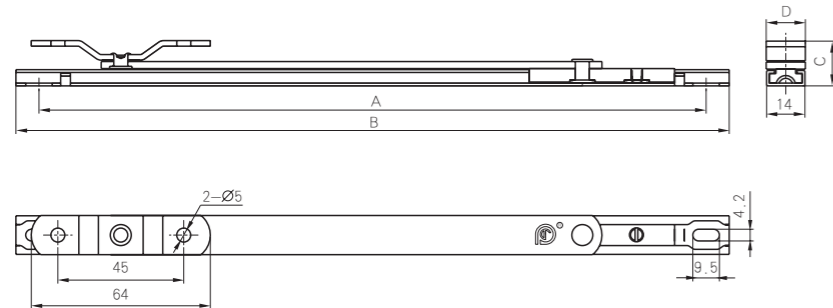
Limiter Stay Series 撑挡系列

▶ 14方槽支撑 14 Square Groove Limiter Stay



- 选用最优良的不锈钢制造。
- 符合JG/T 128-2007《建筑门窗五金件—撑挡》标准。
- 限位支撑是专门设计用来限制窗户的开启角度。
- 限位支撑可用于平开窗、顶悬窗上，其作用可：1、防止大风损坏窗户。2、防止儿童从窗隙处坠下。

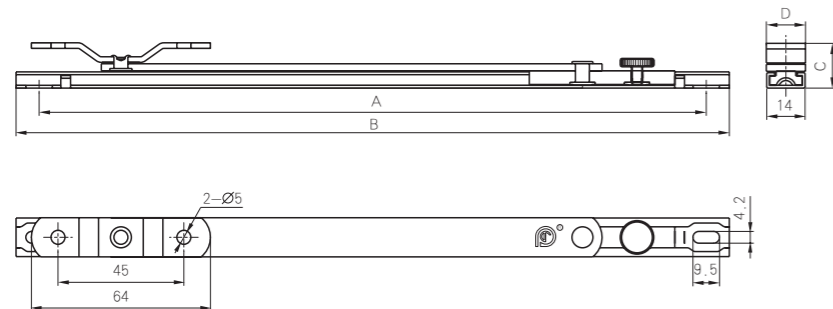
- Material: excellent stainless steel
- Comply with JG/T127-2007 standards.
- The limiter stay is especially designed for restricting the window opening angle.
- The limiter stay is used on casement window and top hug window to protect the window against strong wind and prevent children from falling down.



● 14方槽支撑 14 Square Groove Limiter Stay

序号 No.	产品编号 Code	A	B	C	D
1	DG10Aa	238.5	255	14	14
2	DG10Ba	238.5	255	19	14
3	DG10Ca	238.5	255	21	14
4	DG10Da	238.5	255	16	14
5	DG10Ea	238.5	255	16.5	16
6	DG10Fa	238.5	255	25	16

注：产品长度规格有：10"、12"、14"
Attention: The length of the product is:10 12 14



● 14方槽定位支撑 14 Square Groove Limiter Stay

序号 No.	产品编号 Code	A	B	C	D
1	DG10A	238.5	255	14	14
2	DG10B	238.5	255	19	14
3	DG10C	238.5	255	21	14
4	DG10D	238.5	255	16	14
5	DG10E	238.5	255	16.5	16
6	DG10F	238.5	255	25	16

注：产品长度规格有：10"、12"、14"
Attention: The length of the product is:10 12 14

▶ 欧槽限位撑 European Standard Limiter Stay

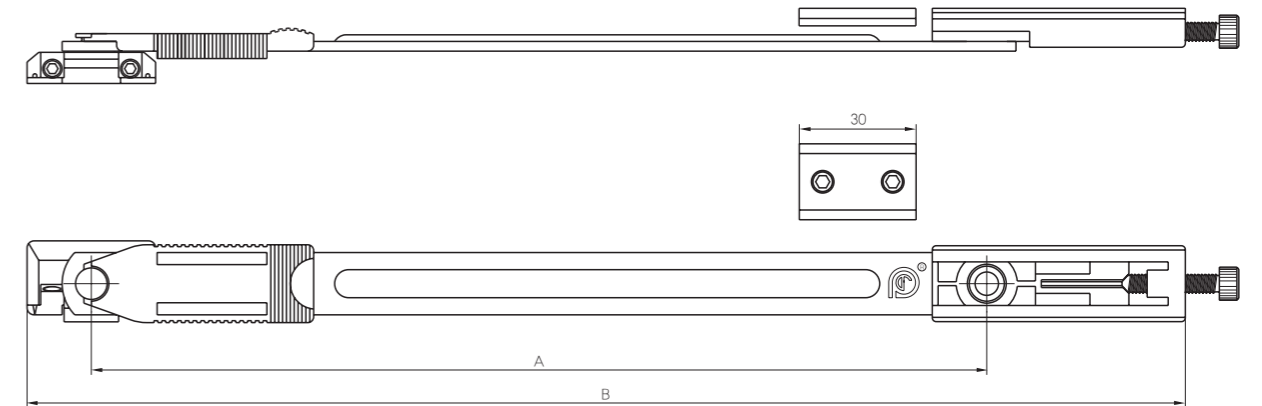


● 欧槽限位撑 European Standard Limiter Stay

序号 No.	产品编号 Code	A	B	窗宽度 Window Width
1	DO10	230	305	不少于360mm
2	DO12	279	355	不少于410mm
3	DO14	328	405	不少于460mm

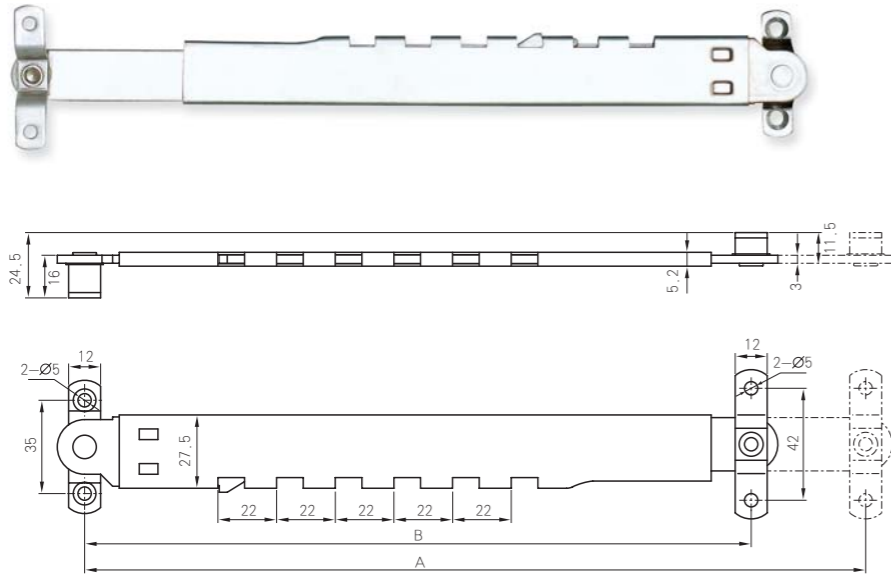
- 欧槽限位撑是专门设计用来限制窗户的开启角度。
- 欧槽限位撑可用于内开内倒窗、内平开窗上，其作用可防止大风损坏窗户。
- 把锁钉扣拉后便可分离，以便清洗或维修窗户。
- 选用最优良的不锈钢制造。
- 符合JG/T 128-2007《建筑门窗五金件—撑挡》标准。

- The European standard limiter stay is especially designed for restricting the opening angle.
- The European standard limiter stay apply to tilt-turn and inward opening window to protect the window against strong wind.
- Easy Separation just by pulling the screw buckle back makes it convenient to wash and repair.
- Material: excellent stainless steel
- Comply with JG/T128-2007 standards.



▶ 扁形多定位伸缩撑

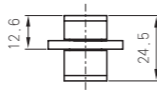
Flat Telescopic Limiter Stay



● 扁形多定位伸缩撑

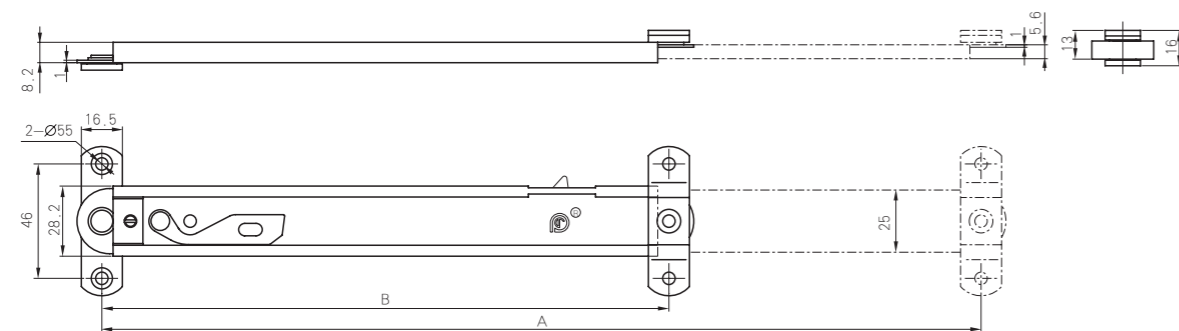
Flat Telescopic Limiter Stay

序号 No.	产品编号 Code	A	B
1	DSB8	273	208
2	DSB10	365	256
3	DSB12	456	305



▶ 方形定位伸缩撑

Square Telescopic Limiter Stay



● 方形定位伸缩撑

Square Telescopic Limiter Stay

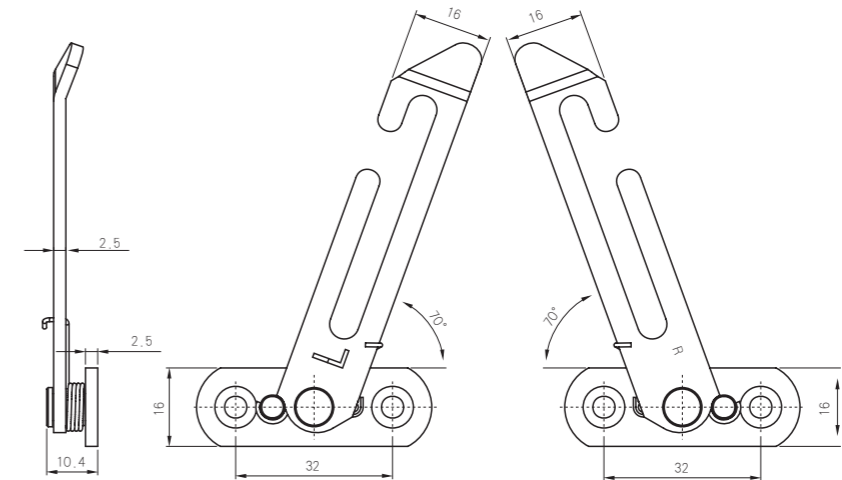
序号 No.	产品编号 Code	A	B
1	DSF6	207	155
2	DSF8	309	205
3	DSF10	411	255
4	DSF12	510	305
5	DSF14	610	355

- 伸缩支撑适用于顶悬窗上，用于限制窗户开启的角度。
- 伸缩支撑可使窗户自动锁定在设定的打开位置，以使通风、窗户维修和防止强风使窗户突然关闭。
- 要松脱伸缩支撑的锁定状态，只需将窗户轻轻往上提升一下，然后关闭。
- 选用最优良的不锈钢制造。
- 符合JG/T 128-2007《建筑门窗五金件—撑挡》标准。

- The telescopic limiter stays apply to top hung window to restrict the opening angle.
- The telescopic limiter stay make the sash automatically lock at the designed position which contribute to ventilation, maintenance and protect the sash against strong wind.
- Loose the telescopic limiter lockable status by softly elevating the sash then close it.
- Material: excellent stainless steel
- Comply with JG/T128-2007 standards.

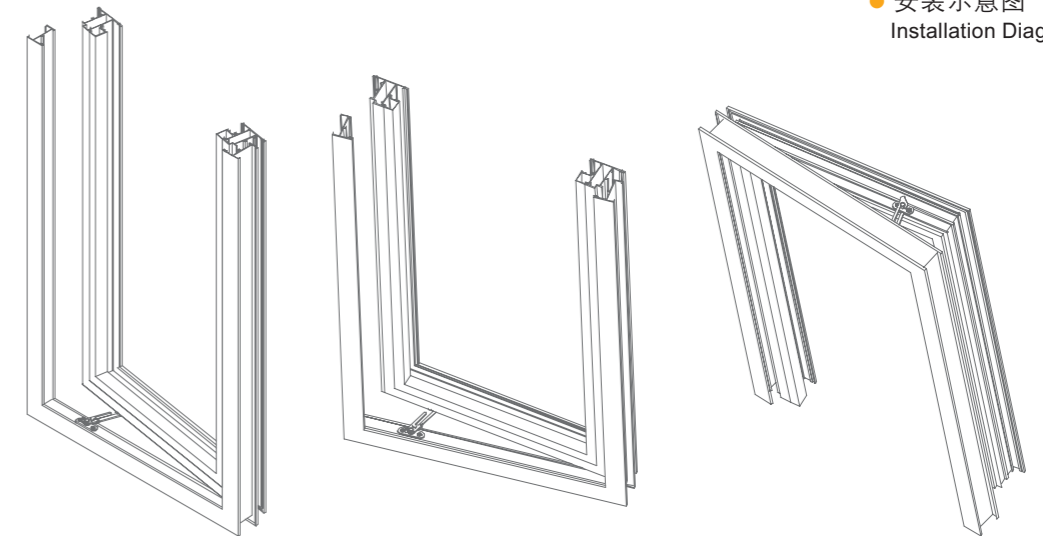
▶ FZ024限位器

FZ024 Restrictor



● 安装示意图

Installation Diagram



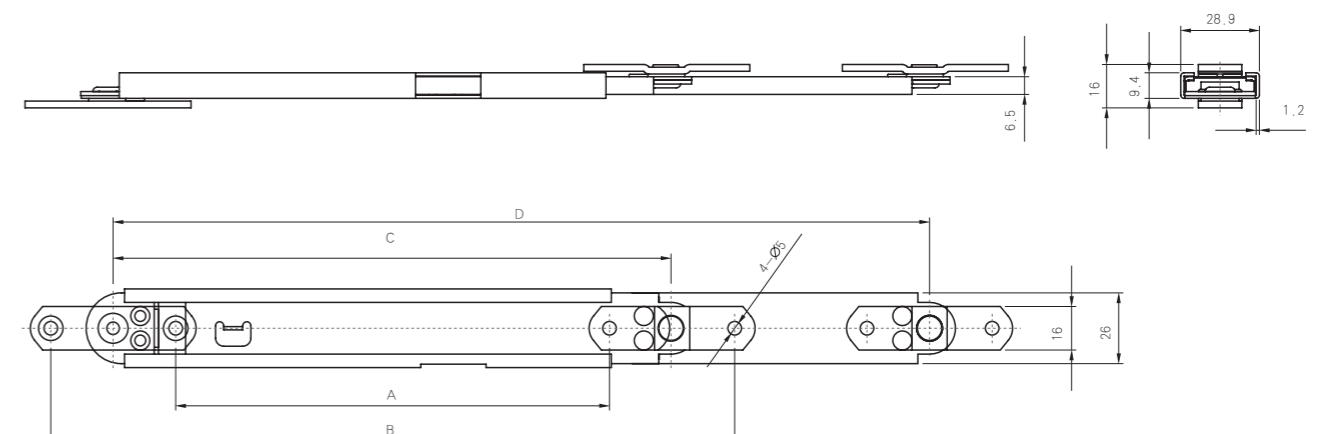
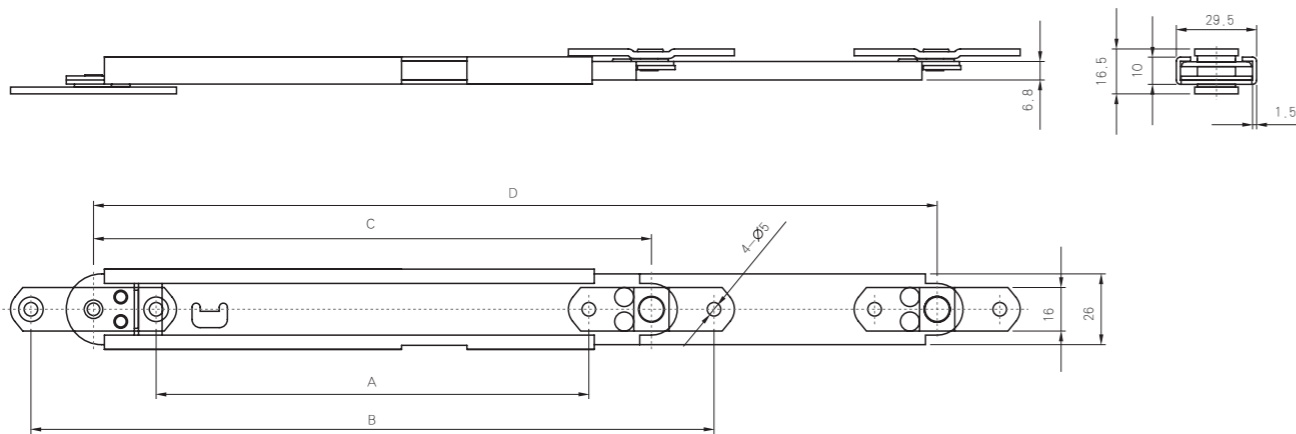
- 产品分左右安装，选用安全扣可以增加外开窗安全系数，特别是公共场所与老人、儿童的房间。
- Used for public place and room for old men and children.

The telescopic limiter stay 伸缩撑系列

The telescopic limiter stay 伸缩撑系列

DSFA加强型伸缩撑 The telescopic limiter stay

DSFB普通型伸缩撑 The telescopic limiter stay



DSFA加强型伸缩撑 The telescopic limiter stay

序号 No.	产品编号 Code	A	B	C	D
1	DSFA8	159	251	205	310
2	DSFA10	209	301	255	360

DSFB普通型伸缩撑 The telescopic limiter stay

序号 No.	产品编号 Code	A	B	C	D
1	DSFB8	159	251	205	310
2	DSFB10	209	301	255	360

- 加强型伸缩撑分左右安装，适用于上悬窗，用于限制窗户开启的角度。
- 伸缩支撑可使窗户自动锁定在设定的打开位置，以使通风、窗户维修和防止强风使窗户突然关闭。
- 加强型伸缩撑可承重100KG，选用最优良的不锈钢制造。
- 符合JG/T 128-2007《建筑门窗五金件—撑挡》标准。
- 要松脱伸缩支撑的锁定状态，只需将窗户轻轻往提升一下，然后关闭。

- The telescopic limiter stay apply to top hung window to restrict the opening angle, with left and right version.
- The telescopic limiter stay make the sash automatically lock at the designed position which contribute to ventilation, maintenance and protect the sash against strong wind.
- Reinforced stretched friction stay maximum loads is 100KG with the best stainless steel material.
- Under JG/T128-2007 standards.
- Unlock the limiter stay by softly lift up the leaf then close it.

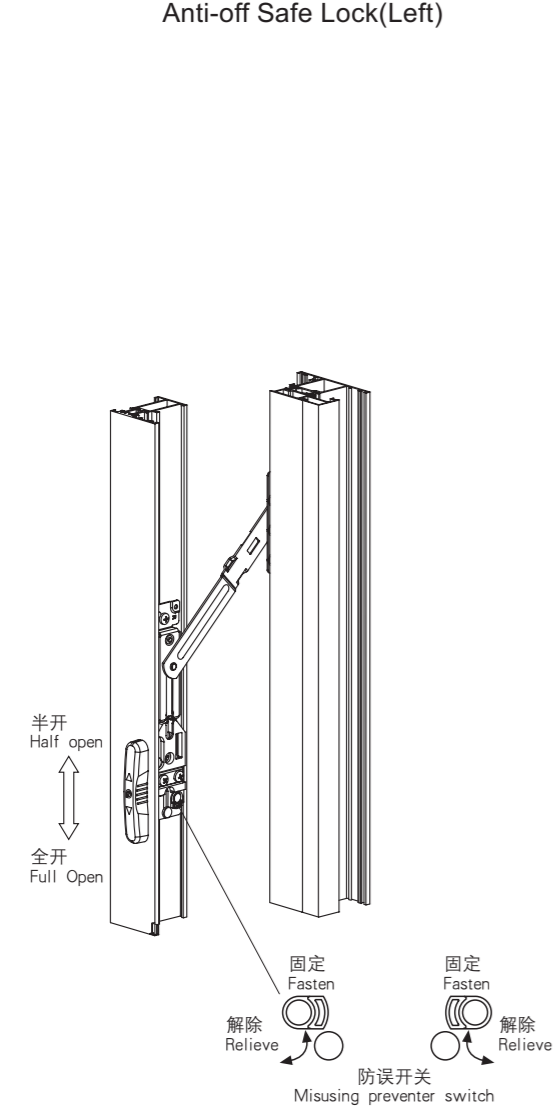
- 加强型伸缩撑分左右安装，适用于上悬窗，用于限制窗户开启的角度。
- 伸缩支撑可使窗户自动锁定在设定的打开位置，以使通风、窗户维修和防止强风使窗户突然关闭。
- 普通型伸缩撑可承重80KG，选用最优良的不锈钢制造。
- 符合JG/T 128-2007《建筑门窗五金件—撑挡》标准。
- 要松脱伸缩支撑的锁定状态，只需将窗户轻轻往提升一下，然后关闭。

- The telescopic limiter stay apply to top hung window to restrict the opening angle, with left and right version.
- The telescopic limiter stay make the sash automatically lock at the designed position which contribute to ventilation, maintenance and protect the sash against strong wind.
- The biggest capacity is 80kg, made of excellent stainless steel.
- Under JG/T128-2007 standards.
- Unlock the limiter stay by softly lift up the leaf then close it.

Concealed Anti-off Safe Lock 内藏式安全防脱锁

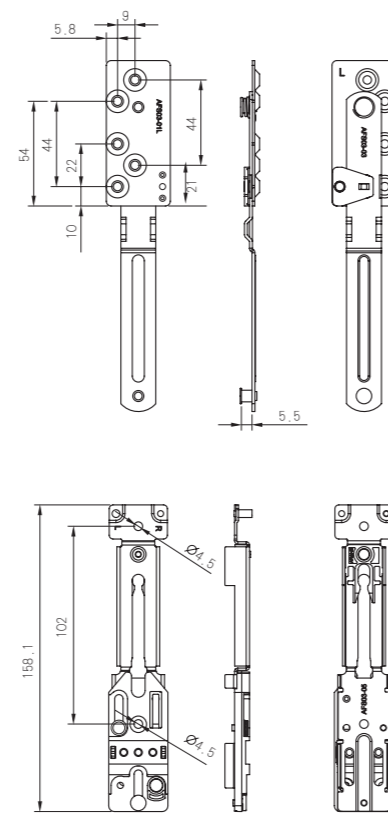
Concealed Anti-off Safe Lock 内藏式安全防脱锁

▶ AFS03L 左安全防脱锁 Anti-off Safe Lock(Left)

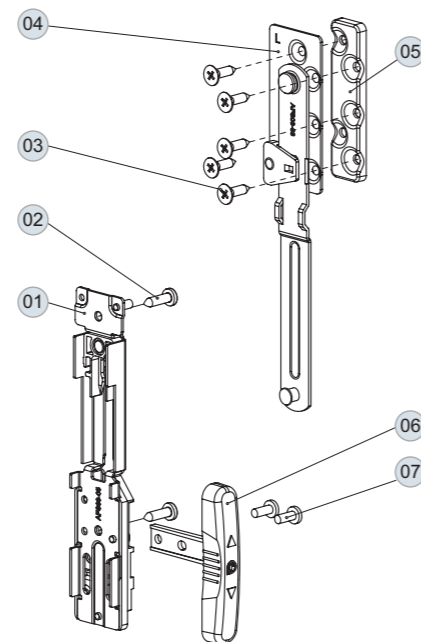


- 通常请在半开状态下,把旋钮设在[固定]位置上使用。
- 需全开时,请回转按钮把旋钮设在[解除]位置。

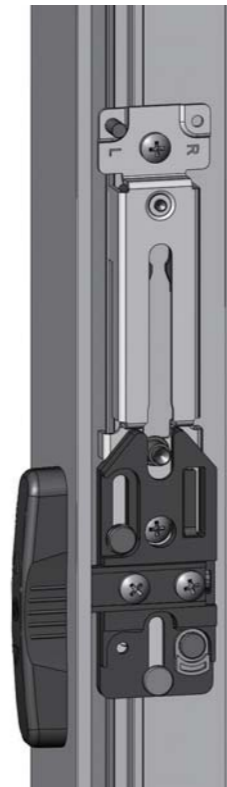
- In half-open condition, please turn the knob to fasten.
- In completely-open, please turn the switch to relieve.



● 安装尺寸图 Installation Diagram



▶ AFS03L 左安全防脱锁 Afs03L left safety dropping preventer lock



● 注意:

1. AFS03L 左安全防脱锁, AFS03R 右安全防脱锁。
2. 微通风装置的特点:
它的主要功能是使窗户处于微通风状态,使室内的空气可以得到良好的循环流通。同时还可以避免小孩发生危险,并且还具有安全防盗的作用,适用于高层建筑、幼儿园和医院等公共场所,它采用简易连杆式设计,能适应多种平开窗型号材。
3. 当拨动开关拨到全开位置,窗户可以完全打开。
当拨动开关拨到半开位置,窗户处于微通风状态。

● Caution:

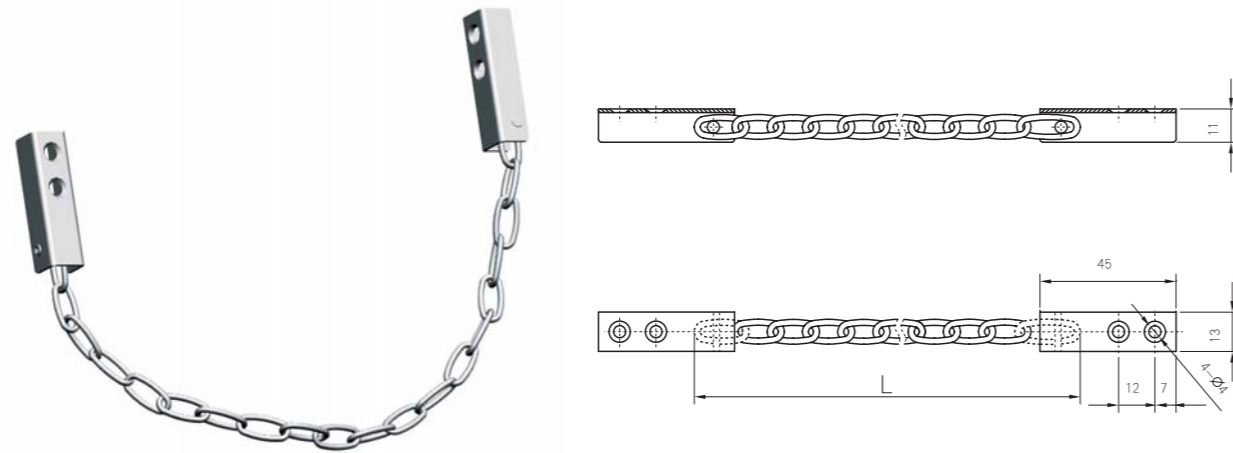
1. AFS03L stands for left version, AFS03R stands for right version.
2. Micro ventilation characteristic:
Its main function is to make good circulation on micro ventilation state. Meanwhile, it can prevent the children from danger and is anti-theft. Suitable for skyscraper, kindergarden, hospital and other public place. It adopts simple connection rod design which is suitable for many kinds of casement windows' profile.
3. When switch is on complete opening position, window can be opened totally.
When switch is on the half open position, it's on the micro ventilation state.

序号 No.	产品名称 Description	产品编号 Code	规格 Standrad	材料 Material	数量 QTY
1	左安装片 left installation piece	AFS03L-01L		不锈钢(SS)304	1
2	涡状弹簧 coiled spring	AFS03L-18		不锈钢(SS)304	1
3	铆钉7 Rivet7	AFS03L-17	6x5.1	不锈钢(SS)304	1
4	固定卡扣 Securing tabs	AFS03L-02		尼龙(Nylon)PA66	1
5	铆钉6 Rivet6	AFS03-16	3.15x5.7	不锈钢(SS)304	1
6	连杆 Connection Rod	AFS03-03		不锈钢(SS)304	1
7	铆钉5 Rivet5	AFS03L-15	6x5.5	不锈钢(SS)304	1

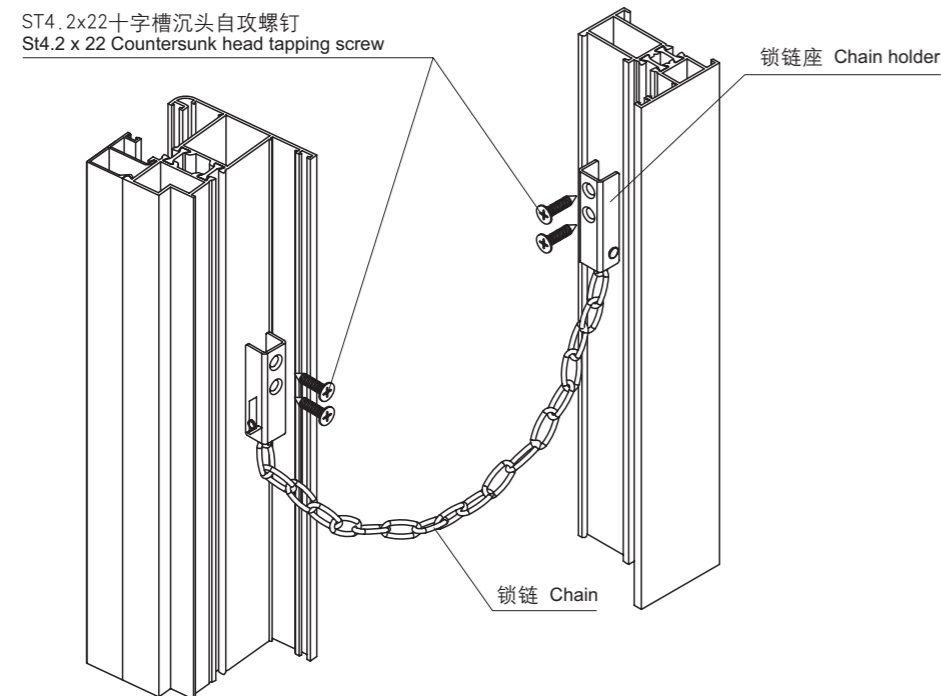
Concealed Anti-off Safe Lock

内藏式安全防脱锁

- ▶ AFS01 安全防脱锁
AFS01 safety dropping preventer lock

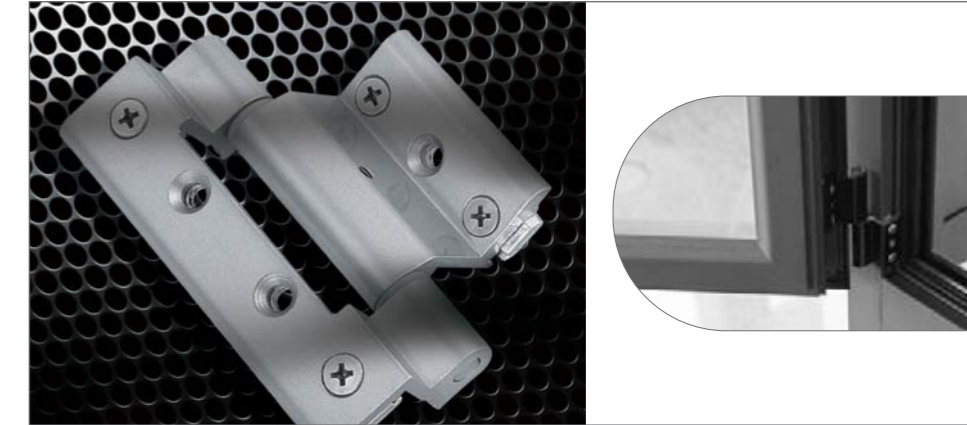


- Installation diagram
安装简图



- 本品适用于住宅楼、办公楼铝合金外平开窗，此产品起到防脱落保护功能。
- 锁链长度L有3款可选：150，200，250mm。
- This product is suitable for outward opening windows for residential buildings, office buildings, this product has anti-shedding protection function.
- Available in three lengths: 150mm, 200mm, 250mm

Hinge Series



合页（铰链） JG/T125-2007

定义：用于连接窗框和窗扇、支承窗扇，实现启闭的装置。

性能指标：

1、门合页反复启闭100000次，窗合页反复启闭25000次，门窗扇自由端垂直方向的变化值不大于2mm，试件无严重变形与损坏。

2、合页（铰链）转动力不应大于40N。

使用范围：家用平开门，内开窗。

Hinge

JG/T125-2007

Definition:

The device that is applied for connection of window frame and sash, supporting sash and realizing opening and closing function.

Performance index:

1. Door hinge repeated opening and closing 100000 times. Window hinge repeated opening and closing 25000 times. The vertical change is no more than 2mm. The sample is without severe deformation and damage.

2. The rotary force of the hinge should not over 40N.

Scope of application:

Domestic casement window and door.

Installation and selection description

合页的安装和选用说明



- 选用安装要点说明:
- 1、需根据我司提供的配置或其它相关资料正确合理选用与型材相匹配的及所需重量级别的合页。
 - 2、合页与框扇型材的两主受力接触面需紧密相贴，不得有悬空和干涉现象。
 - 3、大部合页为不可调节合页，门窗型材框扇制作时必须严格按照所选合页与型材的配合尺寸 (A) 开料。
 - 4、根据型材截面结构的特点及所选用的合页不同，合页通道 (B) 也有所不同，必须根据合页与型材的配置所留的合页通道正确选用密封胶条。
 - 5、与合页相干涉的框扇型材密封胶条部位需留空。
 - 6、具体承重能力与合页安装和型材有关。

- Main points:
1. According to the configuration provided by our company or other relevant technical information to choose the right hinge, for suitable profile and load-bearing.
 2. The contact of the hinge and sash & frame need in firm contact with each other without gap or interference.
 3. Most of the hinges are unadjustable. The choice of the window or door sash & frame must be in strict accordance with the hinge & profile. (A)
 4. According to the section of the profile, the hinge is different, please choose the right rubber strip for the hinge and profile.
 5. Rubber strip should leave space for the installation of the hinge.
 6. Installation effect the load-bearing.

● 合页的使用注意事项:

1. 凡是在安装门窗系数后会使用腐蚀性溶剂清洁墙体的工程。
 2. 高层建筑工程(包括小高层)。
 3. 强烈季风地区。
 4. 沿海地区。
- 以上情况请谨慎选用合页式外开窗系统，建议采用滑撑系统系列。

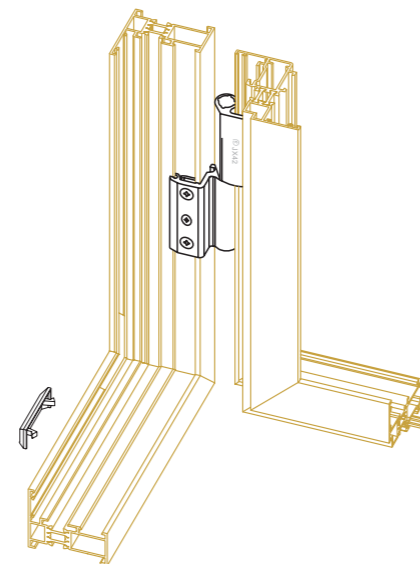
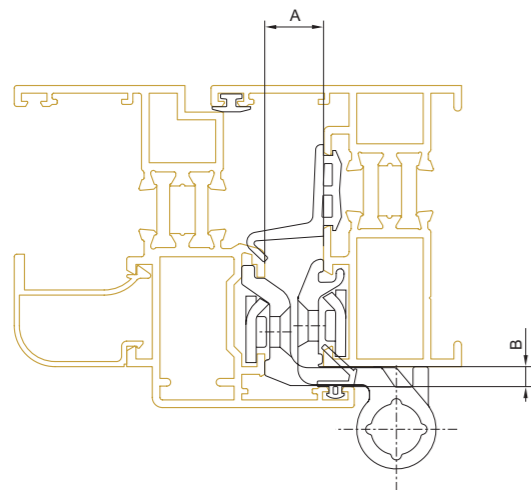
注：
不同的合页与不同断面结构的型材配合，开孔安装位置和尺寸均有不同，必要时请与我司技术部门联系。

● Usage precautions

1. The project need to clean the wall with corrosion after installation.
2. skyscraper
3. Strong monsoon areas
4. Coastal areas

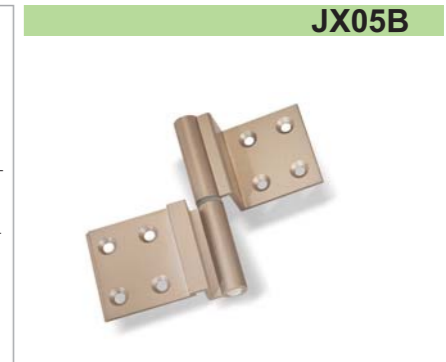
The situation above need to be careful when choosing hinges. Fiction stay suggested.

Note:
Different hinge & section of the profile lead to the different hole location and size, please contact our engineer.



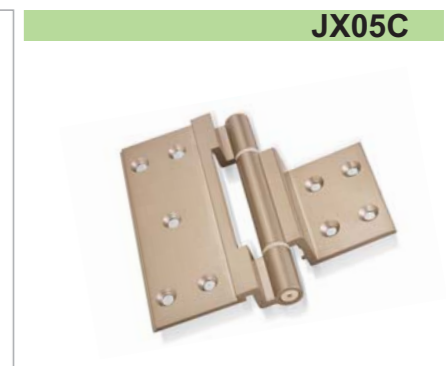
● 适用于普通无槽平开窗。
● 合页最大承重：35kg/对。
● 具体承重能力与合页安装和型材有关。

● Apply to ordinary casement window without groove.
● Maximum load: 35kg/pair
● The load of hinge is relevant to hinge installation and profile.



● 适用于普通无槽平开窗。
● 合页最大承重：60kg/对。
● 具体承重能力与合页安装和型材有关。

● Apply to ordinary casement window without groove.
● Maximum load: 60kg/pair
● The load of hinge is relevant to hinge installation and profile.



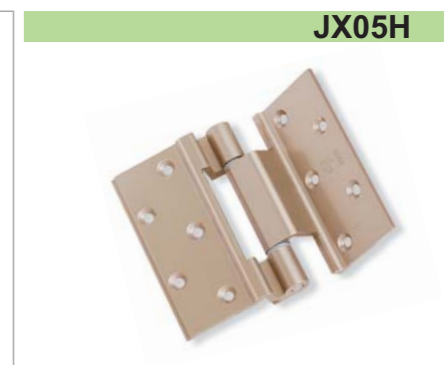
● 适用于普通无槽平开窗。
● 合页最大承重：60kg/对。
● 具体承重能力与合页安装和型材有关。

● Apply to ordinary casement window without groove.
● Maximum load: 60kg/pair
● The load of hinge is relevant to hinge installation and profile.

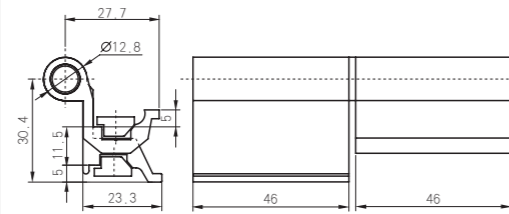


● 适用于普通无槽平开窗。
● 合页最大承重：60kg/对。
● 具体承重能力与合页安装和型材有关。

● Apply to ordinary casement window without groove.
● Maximum load: 60kg/pair
● The load of hinge is relevant to hinge installation and profile.

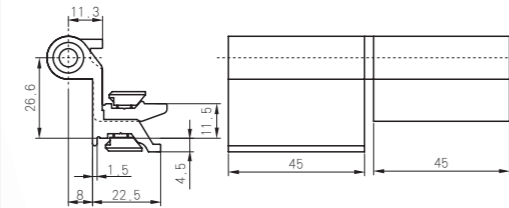


JX06



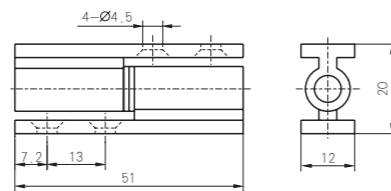
- 适用于标准欧式20槽平开门窗。
- 合页最大承重：40kg/对。
- 具体承重能力与合页安装和型材有关。
- 建设部门窗配套委员会推荐产品。
- Apply to European standard (20mm groove) casement window & door.
- Maximum load: 40kg/pair
- The load of hinge is relevant to hinge installation and profile.
- The product recommended by the window accessories Committee Of Construction Department.

JX08A



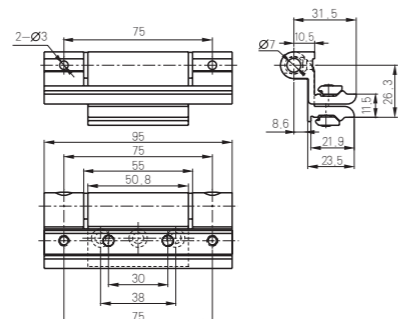
- 适用于标准欧式20槽平开门窗。
- 合页最大承重：40kg/对。
- 具体承重能力与合页安装和型材有关。
- Apply to European standard (20mm groove) casement window & door.
- Maximum load: 40kg/pair
- The load of hinge is relevant to hinge installation and profile.

JX10



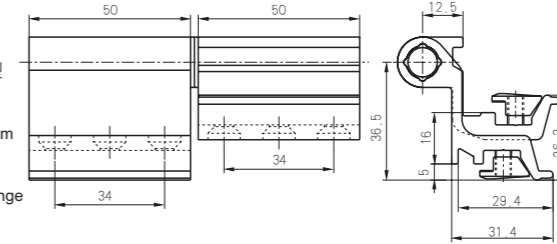
- 适用于普通平开纱窗。
- 合页最大承重：15kg/对。
- 具体承重能力与合页安装和型材有关。
- Apply to ordinary casement window & door.
- Maximum load: 15kg/pair.
- The load of hinge is relevant to hinge installation and profile.

JX12A



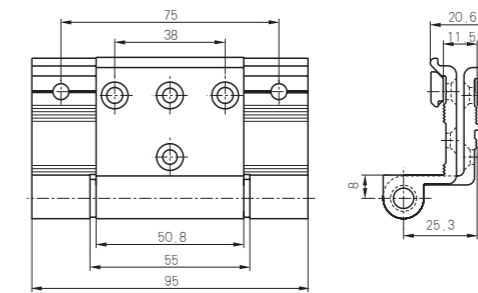
- 适用于标准欧式20槽平开门窗。
- 合页最大承重：60kg/对。
- 具体承重能力与合页安装和型材有关。
- 建设部门窗配套委员会推荐产品。
- Apply to European standard (20mm groove) casement window & door.
- Maximum load: 60kg/pair
- The load of hinge is relevant to hinge installation and profile.
- The product recommended by the window accessories Committee Of Construction Department.

JX14



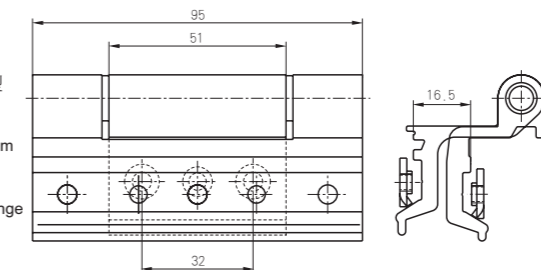
- 适用于欧式23槽平开门窗。
- 合页最大承重：45kg/对。
- 具体承重能力与合页安装和型材有关。
- Apply to European standard (23mm groove) casement window & door.
- Maximum load: 45kg/pair
- The load of hinge is relevant to hinge installation and profile.

JX17



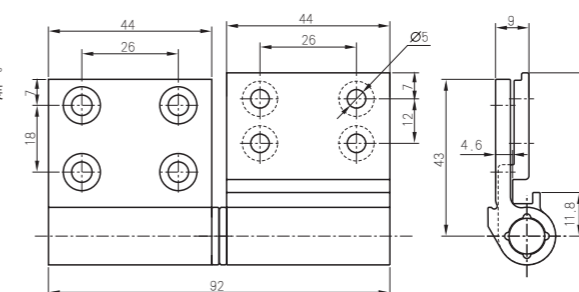
- 适用于欧式20槽平开门窗。
- 合页最大承重：60kg/对。
- 具体承重能力与合页安装和型材有关。
- Apply to European standard (20mm groove) casement window & door.
- Maximum load: 60kg/pair
- The load of hinge is relevant to hinge installation and profile.

JX21



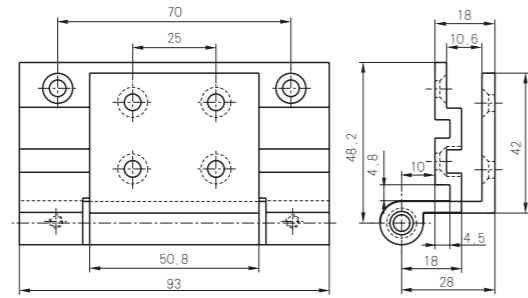
- 适用于欧式23槽平开门窗。
- 合页最大承重：60kg/对。
- 具体承重能力与合页安装和型材有关。
- Apply to European standard (23mm groove) casement window & door.
- Maximum load: 60kg/pair
- The load of hinge is relevant to hinge installation and profile.

JX22C



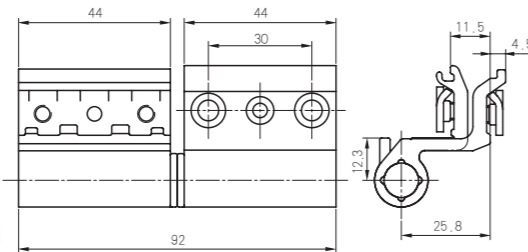
- 适用于普通70平开门窗。
- 合页最大承重：30kg/对。
- 具体承重能力与合页安装和型材有关。
- Apply to ordinary casement window & door (70)
- Maximum load: 30kg/pair
- The load of hinge is relevant to hinge installation and profile.

JX24



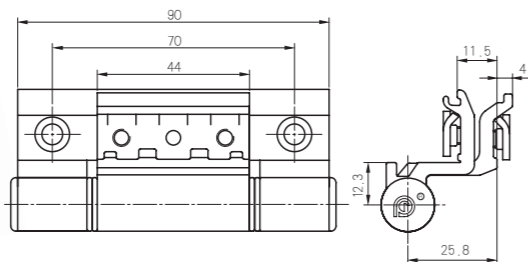
- 适用于普通老50平开门窗。
- 合页最大承重: 60kg/对。
- 具体承重能力与合页安装和型材有关。
- Apply to ordinary old casement window & door (50).
- Maximum load: 60kg/pair
- The load of hinge is relevant to hinge installation and profile.

JX42



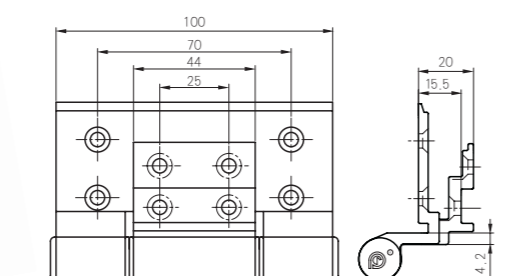
- 适用于标准欧式20槽平开门窗。
- 合页最大承重: 40kg/对。
- 具体承重能力与合页安装和型材有关。
- Apply to European standard (20mm groove) casement window & door.
- Maximum load: 40kg/pair
- The load of hinge is relevant to hinge installation and profile.

JX43



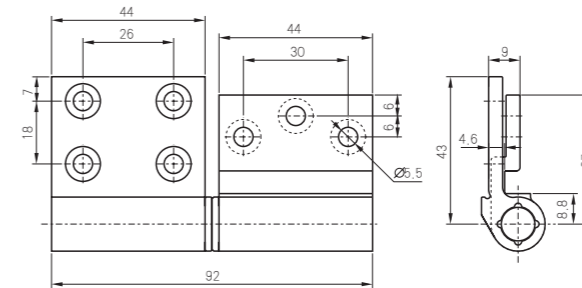
- 适用于标准欧式20槽平开门窗。
- 合页最大承重: 60kg/对。
- 具体承重能力与合页安装和型材有关。
- Apply to European standard (20mm groove) casement window & door.
- Maximum load: 60kg/pair
- The load of hinge is relevant to hinge installation and profile.

JX45



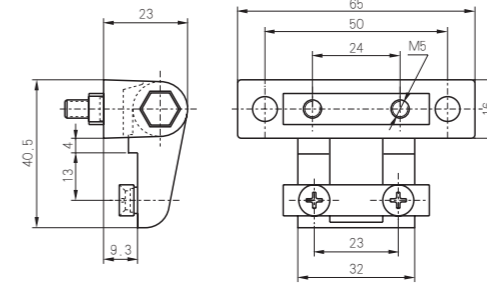
- 适用于普通50平开门窗。
- 合页最大承重: 60kg/对。
- 具体承重能力与合页安装和型材有关。
- Apply to ordinary casement window & door (50)
- Maximum load: 60kg/pair
- The load of hinge is relevant to hinge installation and profile.

JX22D



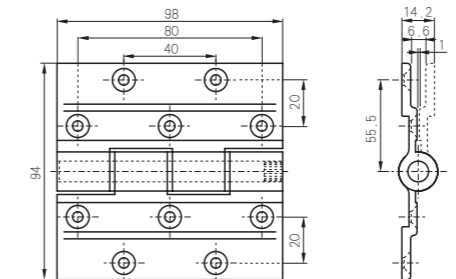
- 适用于普通70平开门窗。
- 合页最大承重: 30kg/对。
- 具体承重能力与合页安装和型材有关。
- Apply to ordinary casement window & door (70)
- Maximum load: 30kg/pair
- The load of hinge is relevant to hinge installation and profile.

JB08A



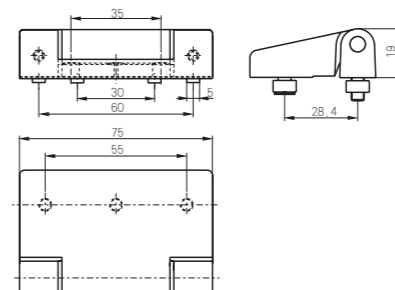
- 适用于普通无槽平开门窗。
- 合页最大承重: 45kg/对。
- 具体承重能力与合页安装和型材有关。
- Apply to ordinary casement window & door without groove.
- Maximum load: 45kg/pair
- The load of hinge is relevant to hinge installation and profile.

JB17



- 适用于普通无槽平开门窗。
- 合页最大承重: 70kg/对。
- 具体承重能力与合页安装和型材有关。
- Apply to ordinary casement window & door without groove.
- Maximum load: 70kg/pair
- The load of hinge is relevant to hinge installation and profile.

JB20



- 适用于普通无槽平开门窗。
- 合页最大承重: 60kg/对。
- 具体承重能力与合页安装和型材有关。
- Apply to ordinary casement window & door without groove.
- Maximum load: 60kg/pair
- The load of hinge is relevant to hinge installation and profile.

Camlock Handle



旋压执手

JG/T213-2007

定义：通过转动手柄，实现窗启闭、锁定功能的装置。

性能指标：空载时，操作力矩不大于 $1.5N \cdot m$ ，负载时，操作力矩不大于 $4N \cdot m$ ，旋压执手柄承受700N力作用后任何部件不能断裂；反复启闭15000次，旋压位窗变化不超过0.5mm。

使用范围：对角线不超过700mm的平开窗与上悬窗。

Camlock Handle

JG/T213-2007

Definition:

The device that realizes opening and closing and lock function. Through switching handle.

Performance index:

No-load: Operating force $\leq 1.5N \cdot m$

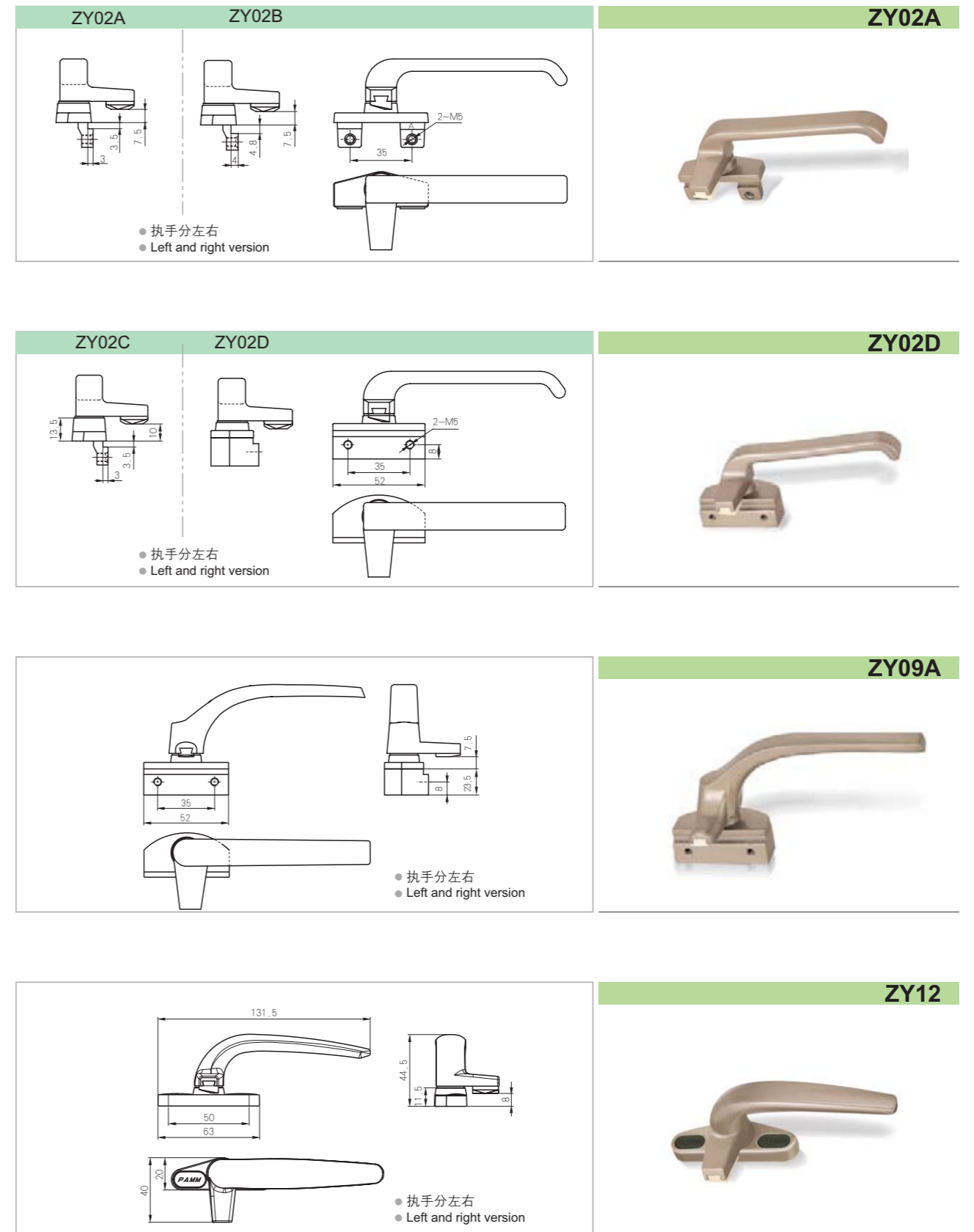
Loading: Operating force $\leq 4N \cdot m$

After bearing 700N, any component of the rotating knobs is without breakage.

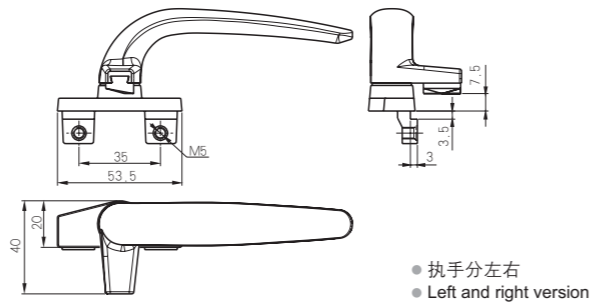
After opening and closing after 15000 cycle test, the change of rotating component $\leq 0.5mm$.

Scope of application:

The diagonal of casement window and top-hung window $\leq 700mm$.

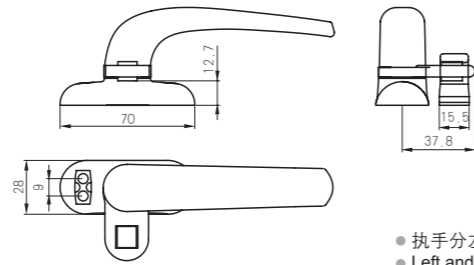


ZY12A



● 执手分左右
● Left and right version

ZY15

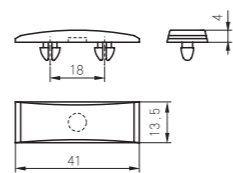


● 执手分左右
● Left and right version

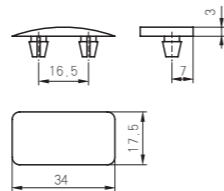
指甲胶 Plastic Holder



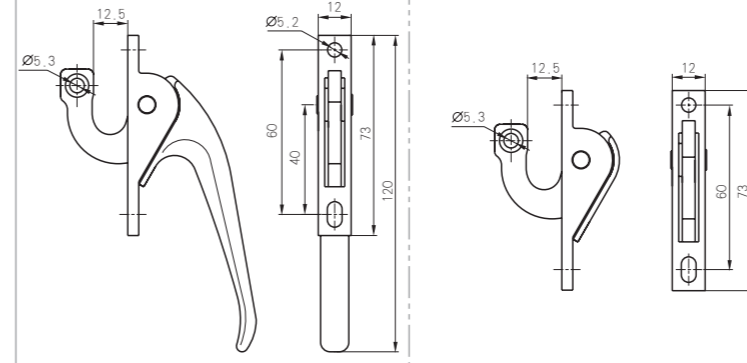
4mm指甲胶 Plastic Holder



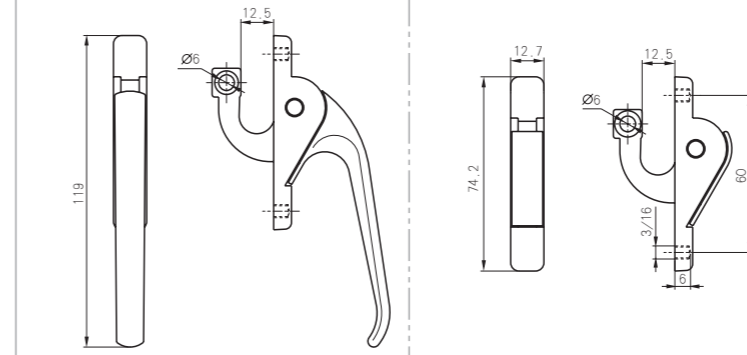
虎头指甲胶 Vise Plastic Holder



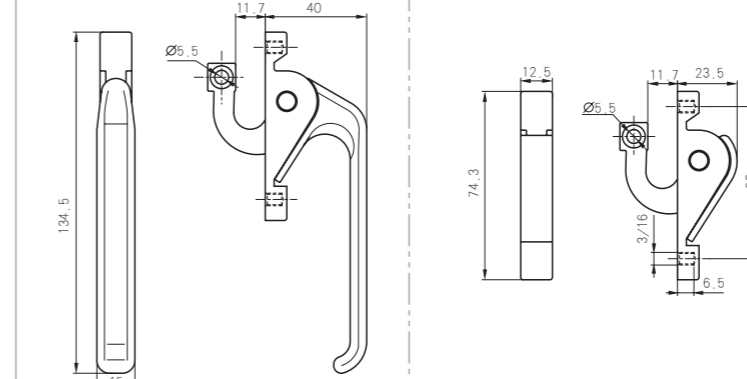
ZK04



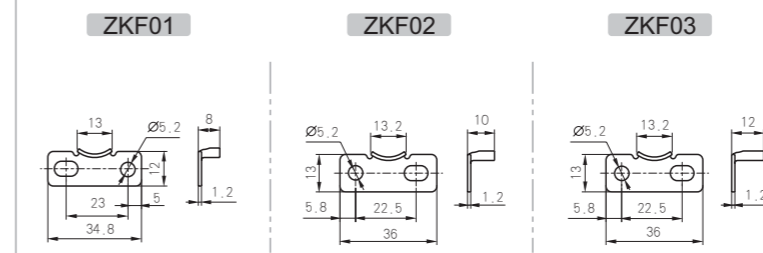
ZK05



ZK11A



ZKF01/02/03

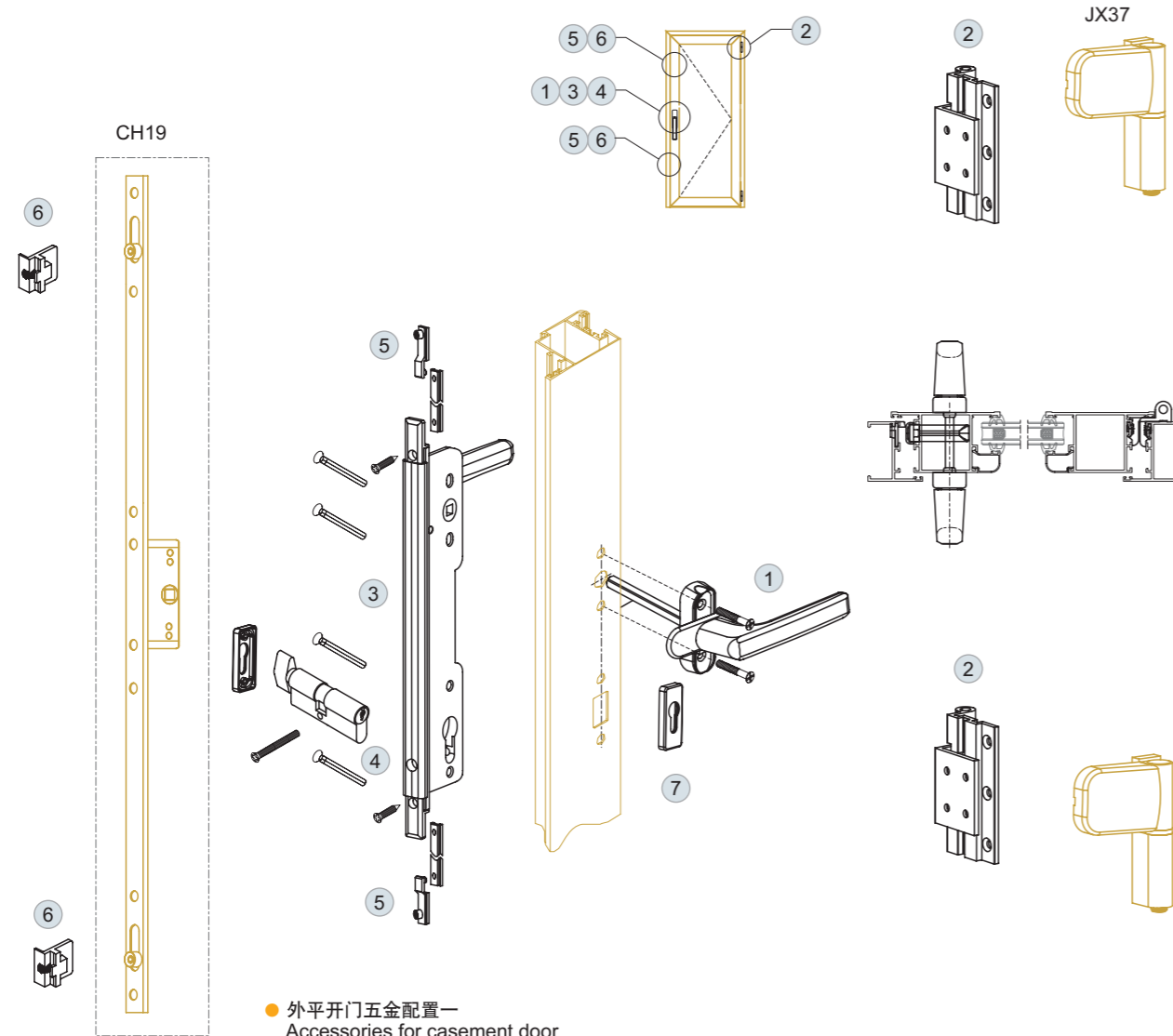


Casement Door Lock Accessories

平开门锁五金配件

Casement Door Lock Accessories

平开门锁五金配件



● 外平开门五金配置一
Accessories for casement door

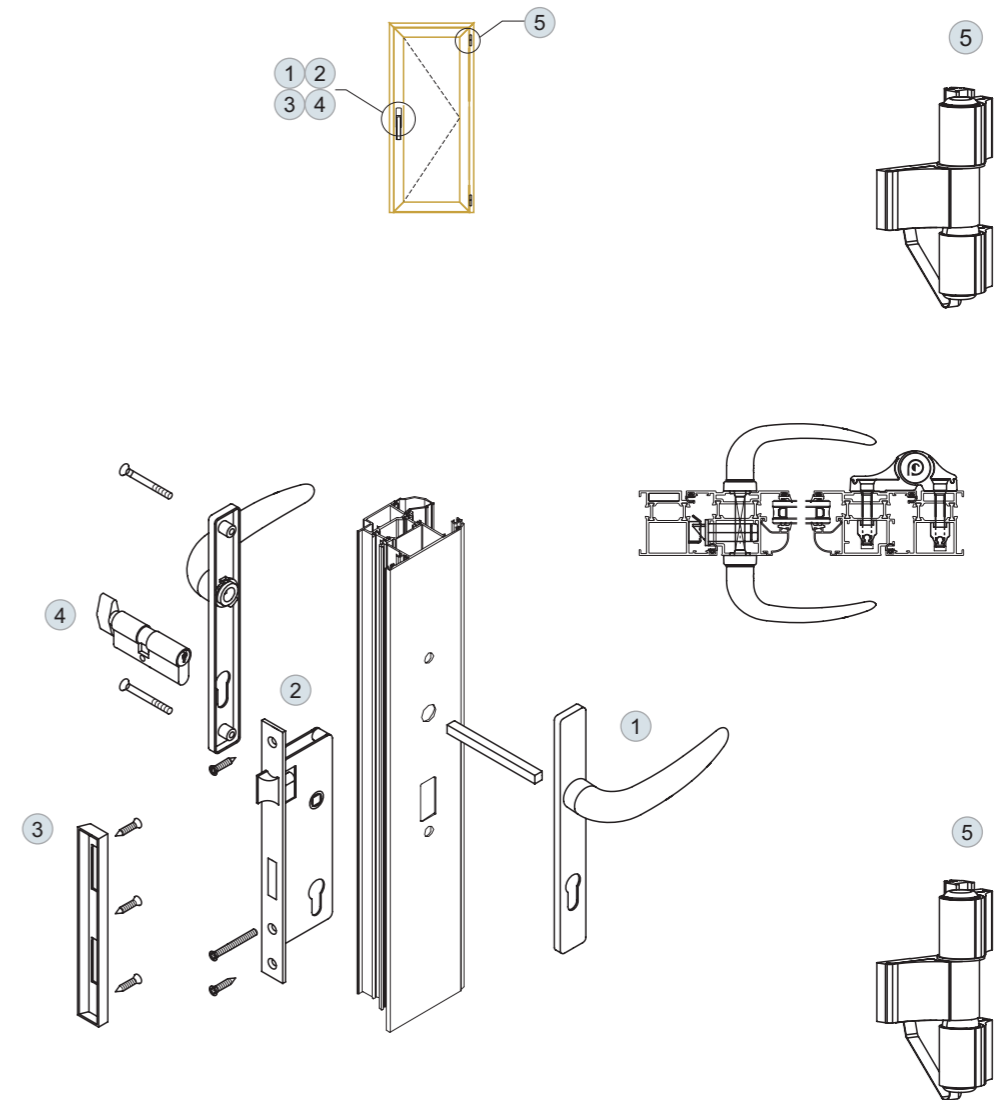
序号 No.	产品名称 Description	产品编号 Code	数量 QTY	备注 Remark
1	CZ26C 执手 CZ26 Handle	CZ26C	1	
2	JX12A 合页 JX12A Hinge	JX12A	3	可根据型材选配 Based on the profile
3	CH51 锁盒 Lock Body	CH51	1	
4	70 长单开锁芯 Cylinder	28/42T	1	
5	CL06 连接杆 Linking Rod	CL06	2	
6	欧槽锁座 Striker	CKG05	2	
7	SMB-1 塑钢门前后面板 SMB-1	SMB-1	2	
8	掩胶 Gasket			材质(Material): EPDM

● 配置补充说明:

1. 本配置可适用于带槽或不带槽的平开门中，配件均为可选择性配件，可根据型材实配。
2. 本配置执手有多种不同款式可供客户选择，详见后面执手系列。
3. 选用不同的合页承重不一样，具体技术参数见后面合页系列。

● Technical information

1. These accessories apply to different casement door casement door and is optional.
2. Various types of handles are available as per request, more detail please see the following handle series.
3. Options for different hinges provide different load bearing. Specific parameters please see the following hinge series.



● 外平开门五金配置二
Accessories for casement door

序号 No.	产品名称 Description	产品编号 Code	数量 QTY	备注 Remark
1	CZM04 双面执手 CZM04 Bidirectional Handle	CZM04	1	
2	3085A 锁体 3085A Lock body	3085A	1	
3	1号锁扣板 Buckle board	CZMK01	1	
4	75 长单开锁芯 75mm Cylinder	45/30T	1	
5	JX48A 合页 JX48A Hinge	JX48A	2	
6	胶条 Rubber			材质(Material): EPDM

● 配置补充说明:

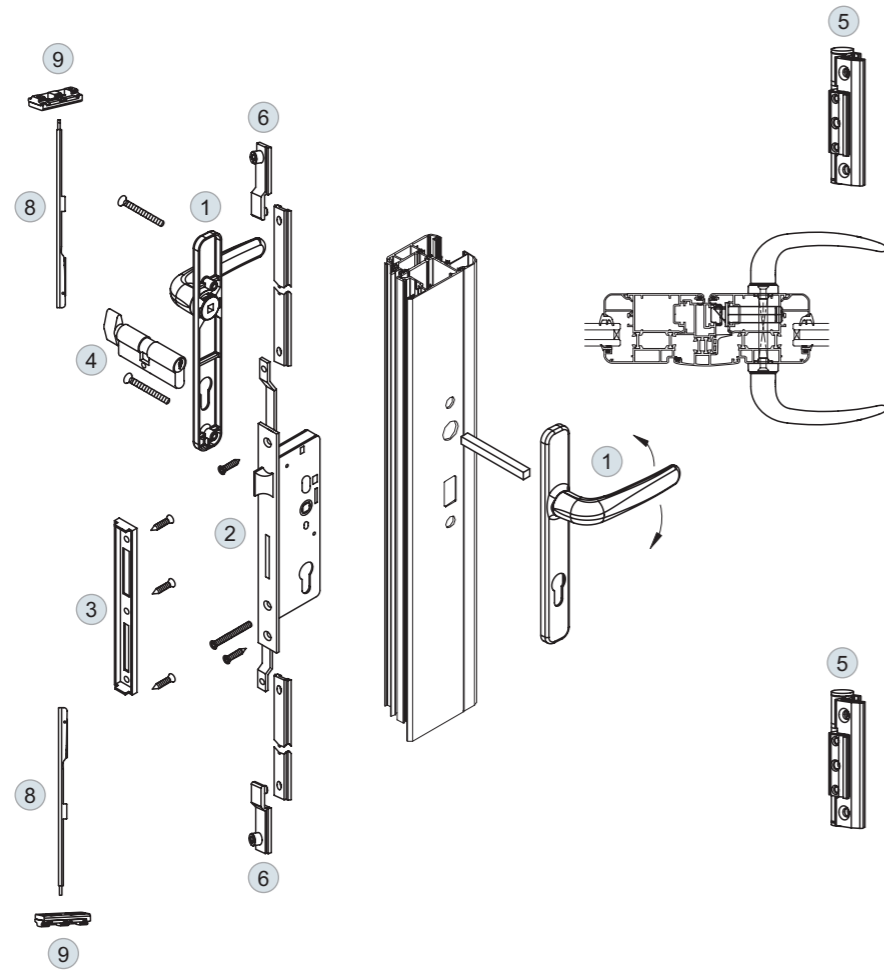
1. 本配置可适用于带槽或不带槽的平开门中，配件均为可选择性配件，可根据型材实配。
2. 本配置执手有多种不同款式可供客户选择，详见后面执手系列。
3. 选用不同的合页承重不一样，具体技术参数见后面合页系列。

● Technical information

1. These accessories apply to different casement door casement door and is optional.
2. Various types of handles are available as per request, more detail please see the following handle series.
3. Options for different hinges provide different load bearing. Specific parameters please see the following hinge series.

Casement Door Lock Accessories

平开门锁五金配件



● 外平开门五金配置三
Accessories for casement door

序号 No.	产品名称 Description	产品编号 Code	数量 QTY	备注 Remark
1	CZM07双面执手 CZM07 Bidirectional Handle	CZM07	1	
2	88535锁体 88535 Lock Body	88535	1	
3	14号锁扣板 Buckle Board	CZMK14	1	
4	70长单开锁芯 Cylinder	28/42T	1	
5	JX43合页 JX43 Hinge	JX43	3	
6	09连接杆 09 Linking Rod	CL06	2	
7	欧槽锁座 Lock Holder	CKG05	2	
8	MX05门插 MX05 Flush bolt	MX05	2	对开门用For double door
9	掩胶 Opening Rubber			材质(Material):EPDM

● 配置补充说明:

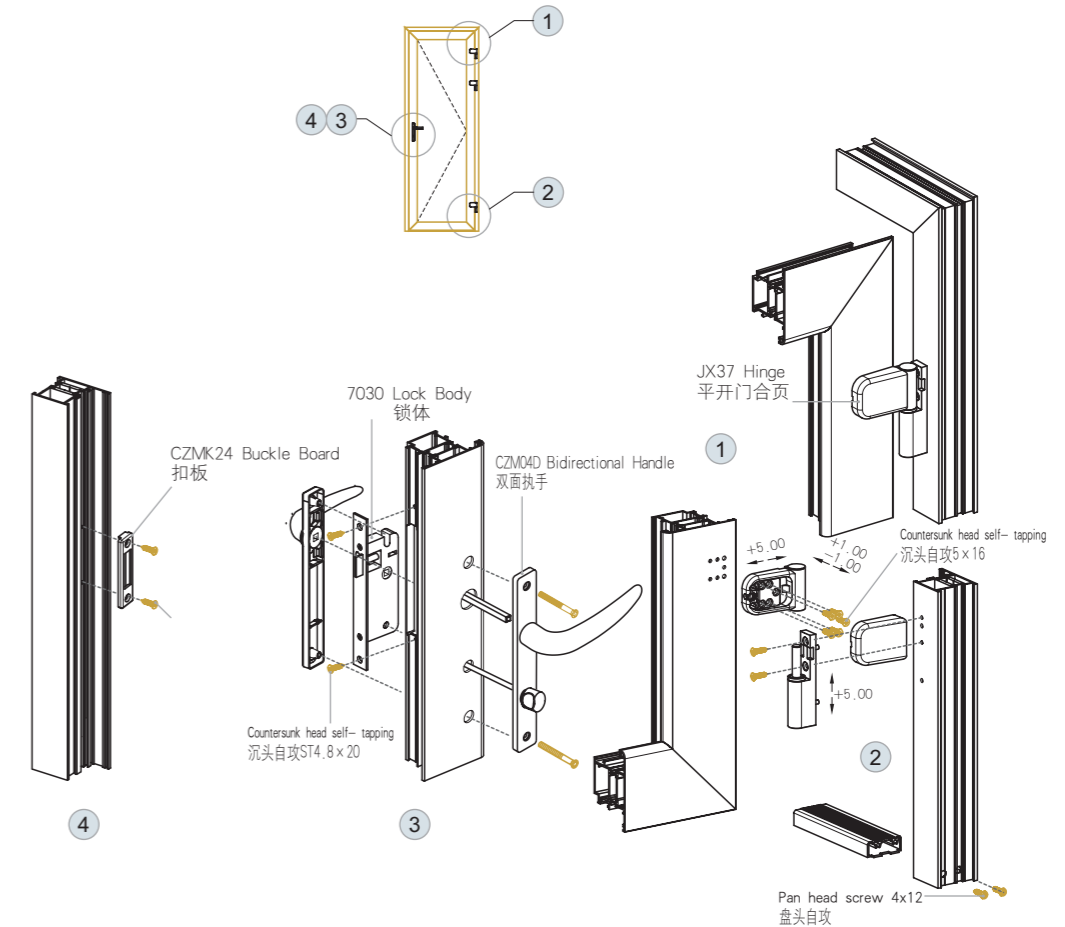
1. 本配置适用于带标准欧式20槽的平开门中, 配件均为可选择性配件, 可根据型材实配。
2. 本配置执手有多种不同款色可供客户选择, 详见后面执手系列。
3. 选用不同的合页承重不一样, 具体技术参数见后面合页系列。

● Technical information

1. These accessories apply to different casement door casement door and is optional.
2. Various types of handles are available as per request, more detail please see the following handle series.
3. Options for different hinges provide different load bearing. Specific parameters please see the following hinge series.

Casement Door Lock Accessories

平开门锁五金配件



● 外平开门五金配置四
Accessories for casement door

序号 No.	产品名称 Description	产品编号 Code	数量 QTY	备注 Remark
1	CZM04D双面执手 CZM04D Bidirectional Handle	CZM04D	1	
2	7030锁体 7030 Lock Body	7030	1	
3	24号锁扣板 Buckle Board	CZMK24	1	
4	JX37合页 JX37 Hinge	JX37	3	
5	掩胶 Gasket			材质(Material):EPDM

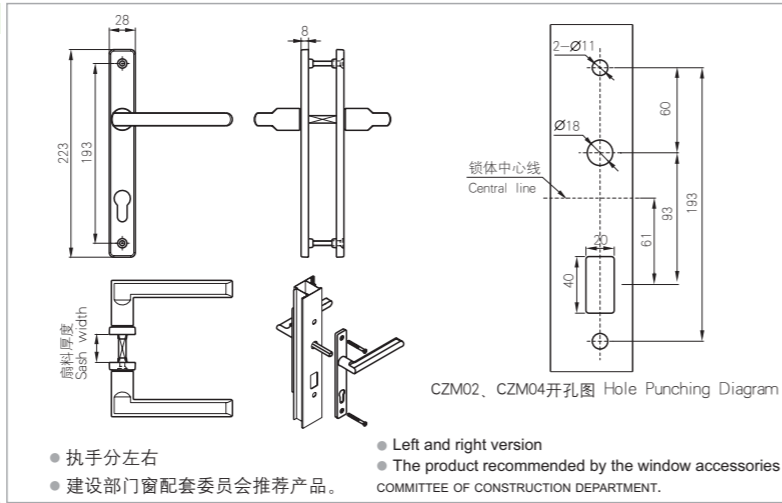
● 配置补充说明:

1. 本配置适用于阳台不带锁匙的平开门中, 配件均为可选择性配件, 可根据型材实配。
2. 本配置执手有多种不同款色可供客户选择, 详见后面执手系列。
3. 选用不同的合页承重不一样, 具体技术参数见后面合页系列。

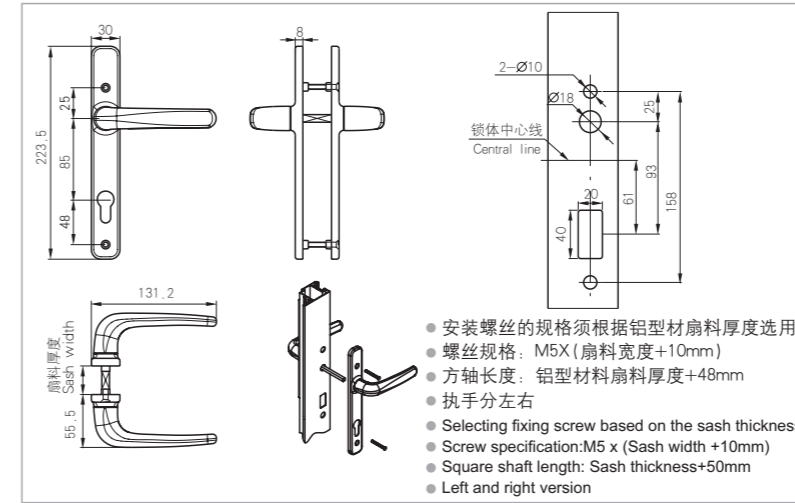
● Technical information

1. These accessories apply to balcony casement door without key and and is optional.
2. Various types of handles are available as per request, more detail please see the following handle series.
3. Options for different hinges provide different load consideration. Specific parameters please see the following hinge series.

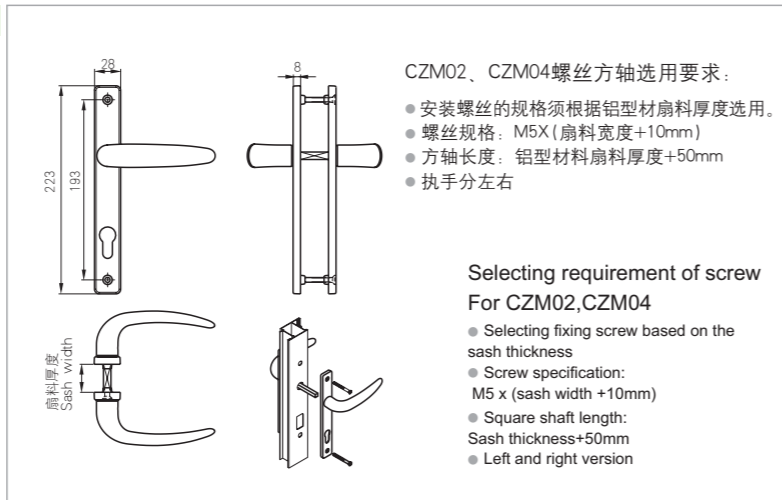
CZM02



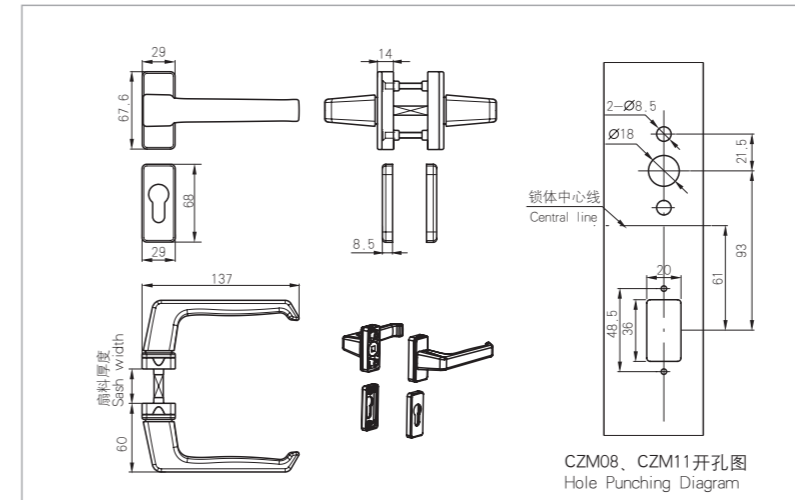
CZM07



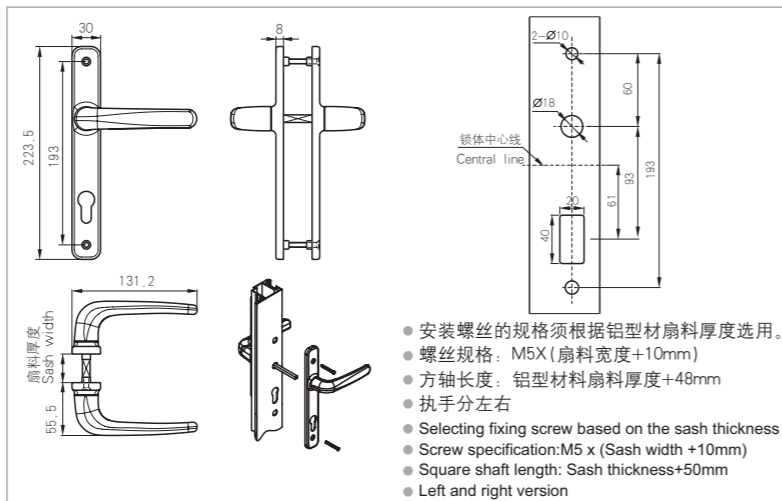
CZM04



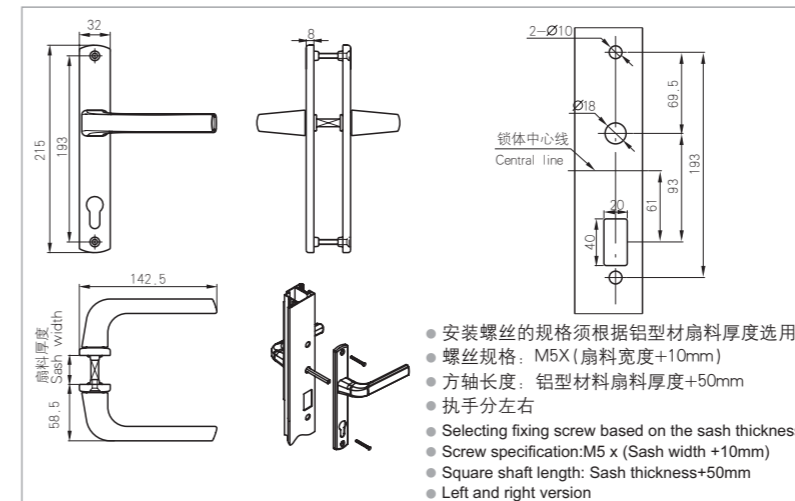
CZM08



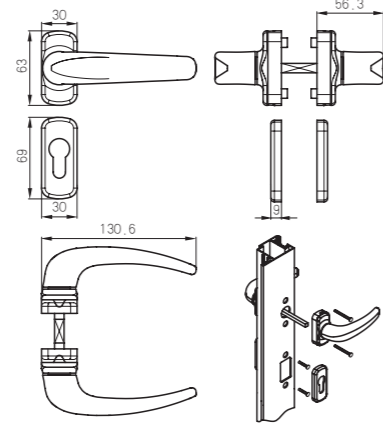
CZM07A



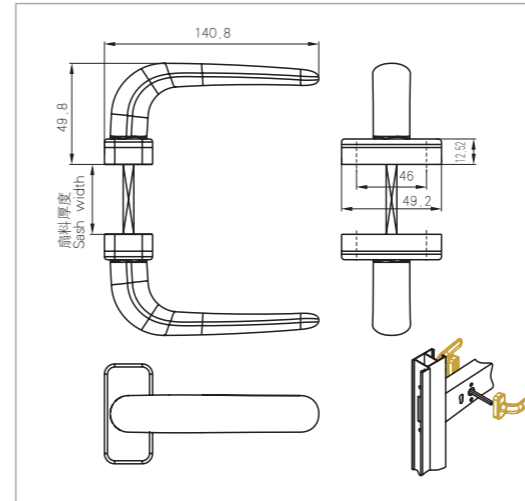
CZM09



CZM11



- CZM08、CZM11螺丝方轴选用要求:
- 安装螺丝的规格须根据铝型材扇料厚度选用。
 - 螺丝规格: M5X(扇料宽度+20mm)
 - 方轴长度: 铝型材扇料厚度+25mm
- Selecting requirement of screw
For CZM02,CZM04
- Selecting fixing screw based on the sash thickness
 - Screw specification: M5 x (sash width +20mm)
 - Square shaft length: Sash thickness+25mm

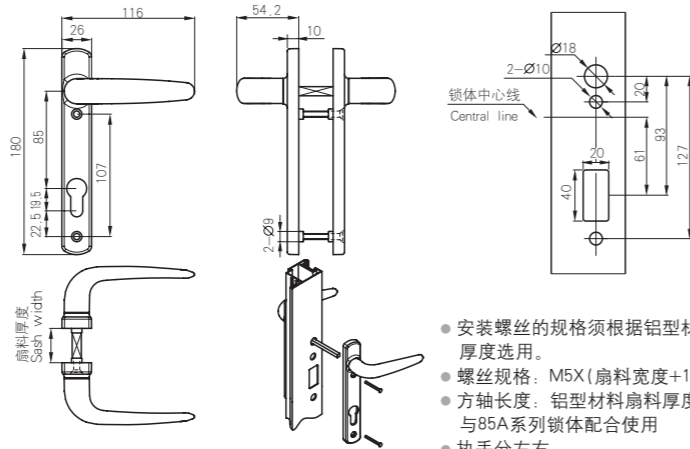


- 安装螺丝的规格须根据铝型材扇料厚度选用。
- 方轴长度: 铝型材扇料厚度+60mm
- Selecting fixing screw based on the sash thickness.
- Square shaft length: Sash thickness+60mm

CZM16

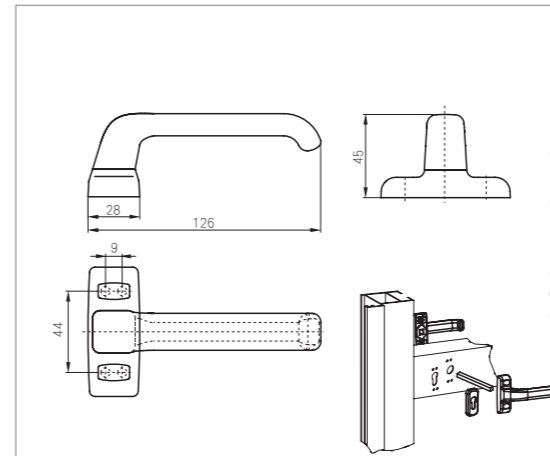


CZM12



- 安装螺丝的规格须根据铝型材扇料厚度选用。
- 螺丝规格: M5X(扇料宽度+10mm)
- 方轴长度: 铝型材扇料厚度+48mm 与85A系列锁体配合使用
- 执手分左右

- Selecting fixing screw based on the sash thickness
- Screw specification: M5 x (Sash width +10mm)
- Square shaft length: Sash thickness+48mm
- Apply with 85A lock body series
- Left and right version

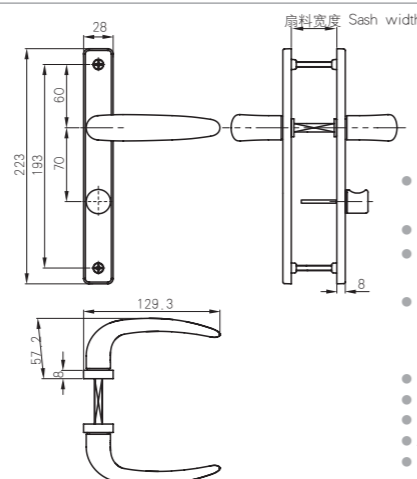


- 安装螺丝的规格须根据铝型材扇料厚度选用。
- 方轴长度: 铝型材扇料厚度+30mm
- Selecting fixing screw based on the sash thickness.
- Square shaft length: Sash thickness+30mm

CZ33

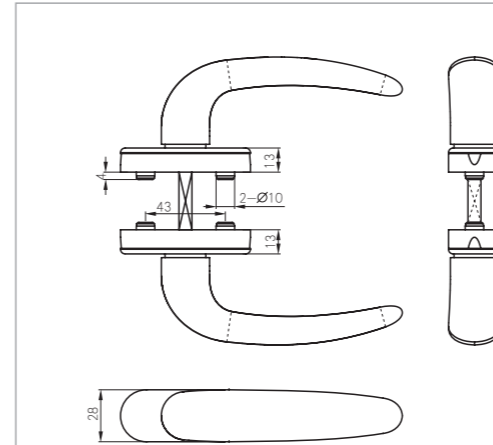


CZM04D



- 安装螺丝的规格须根据铝型材扇料厚度选用。
- 螺丝规格: M5X(扇料宽度+10mm)
- 方轴长度: 铝型材扇料厚度+50mm 与70系列锁体配合使用
- 执手分左右

- Selecting fixing screw based on the sash thickness
- Screw specification: M5 x (Sash width +10mm)
- Square shaft length: Sash thickness+50mm
- Apply with 70 lock body series
- Left and right version

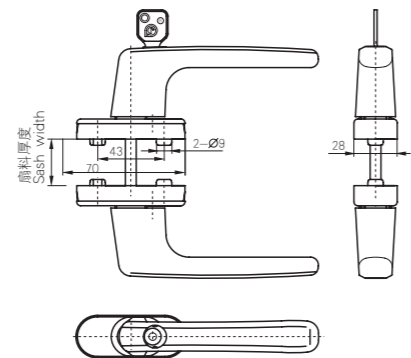


- 方轴长度=扇料宽+65/70
- 螺丝长度=扇料宽+20
- Square shaft length: Sash thickness+65/70
- Screw length: Sash thickness+20

CZ42

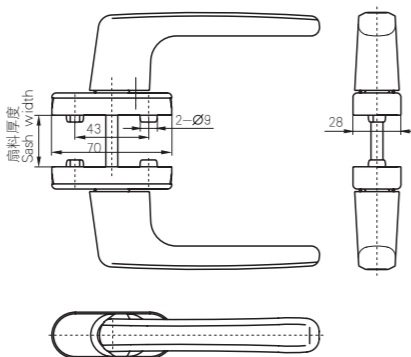


CZ26A



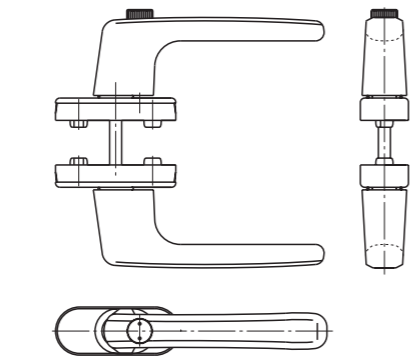
- 方轴规格有100mm、110mm、120mm、130mm可供选用。
- 安装螺丝的规格须根据型材扇料宽度选用。
- 螺丝规格：M5X(扇料宽度+20mm)。
- Available specifications of square shaft: 100mm,110mm,120mm,130mm
- Selecting fixing screw based on the sash thickness
- Screw specification: M5 x (sash width +20mm)

CZ26C



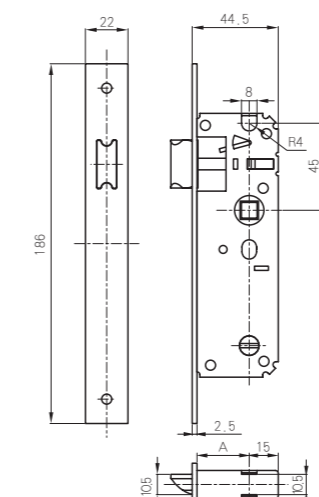
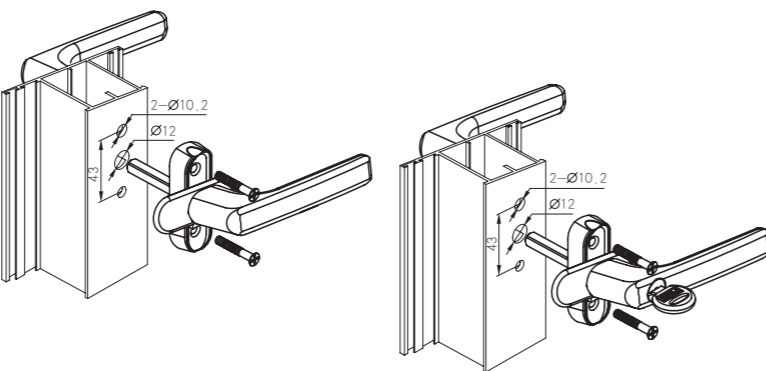
- 方轴规格有100mm、110mm、120mm、130mm可供选用。
- 安装螺丝的规格须根据型材扇料宽度选用。
- 螺丝规格：M5X(扇料宽度+20mm)。
- Available specifications of square shaft: 100mm,110mm,120mm,130mm
- Selecting fixing screw based on the sash thickness
- Screw specification: M5 x (sash width +20mm)

CZ26F



- 方轴规格有100mm、110mm、120mm、130mm可供选用。
- 安装螺丝的规格须根据型材扇料宽度选用。
- 螺丝规格：M5X(扇料宽度+20mm)。
- Available specifications of square shaft: 100mm,110mm,120mm,130mm
- Selecting fixing screw based on the sash thickness
- Screw specification: M5 x (sash width +20mm)

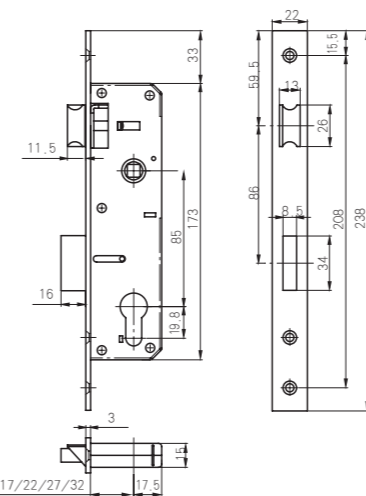
CZ26反面执手



规格	A
2500	22
3000	27
3500	32

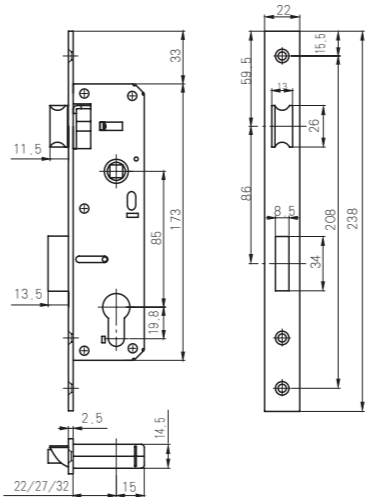
- 70系列锁体分别有：2500、3000、3500三种规格，适用于阳台不带匙平开门中。
- Divide the 70 lock body series into three specifications 2500, 3000, 3500 which apply to balcony no-key casement door.

70 lock body series 70系列锁体



- 85系列锁体分别有：2085、2585、3085、3585等四种规格。
- Specifications of 85 lockbody series: 2085, 2585, 3085, 3585

85 lock body series 85系列锁体

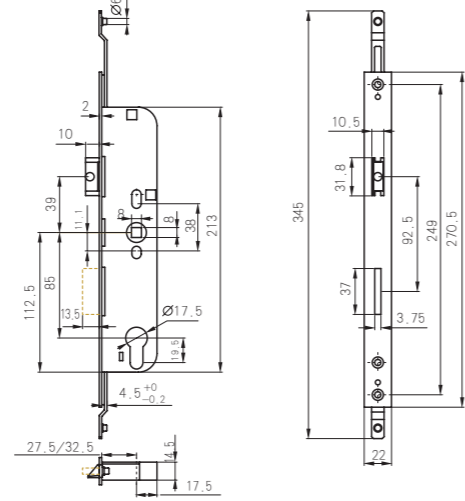


- 85A系列锁体分别有：2585A、3085A、3585A等三种规格。
- Specification of 85A lockbody series: 2585A, 3085A, 3585A

85A lock body series 85A系列锁体

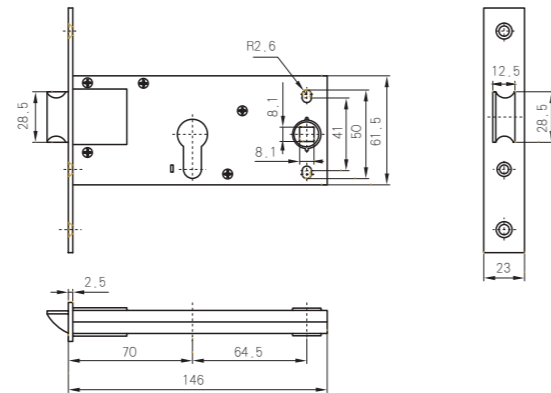


885系列多点锁体 885 multi-point lock body series

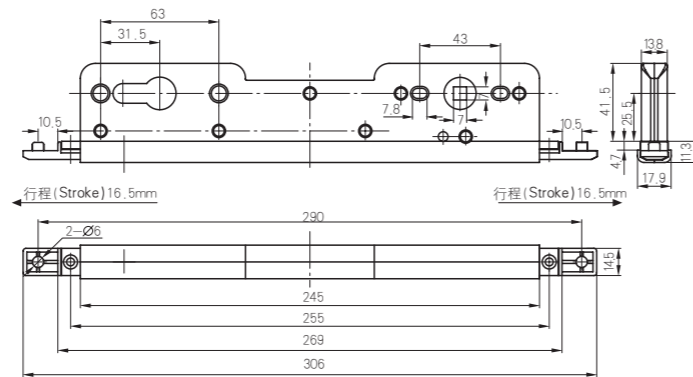


● 885系列锁体分别有：
88530、88535两种规格
● Specifications of
885 lockbody series：
88530、88535

7065锁体 7065 lock body series

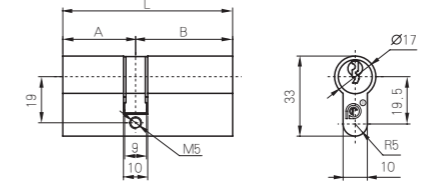


CH51锁盒 CH51 lock body series



双开锁芯外形图

● 双开锁芯外形图：表示方法为A/B，A、B的长度根据实际需要而定，但最短不得小于25mm



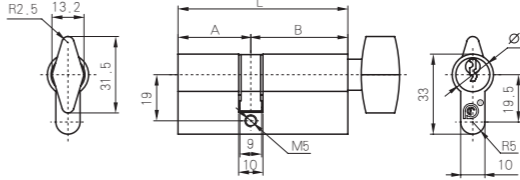
Double opening lock cylinder 双开锁芯

● Dimension drawing:
Representation method is A/B (the length of A/B is based on actual need but not less than 25mm)



单开锁芯外形图

● 单开锁芯外形图：表示方法为A/BT，A、B的长度根据实际需要而定，但A段最短不得小于25mm，BT表示为靠旋钮的一段为B段。

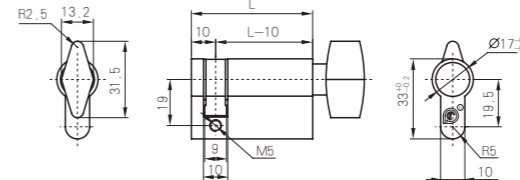


Single opening lock cylinder 单开锁芯

● Dimension drawing:
Representation method is A/BT (the length of A/B is based on actual need but A's must not be less than 25mm, BT indicates B is close to the knob)



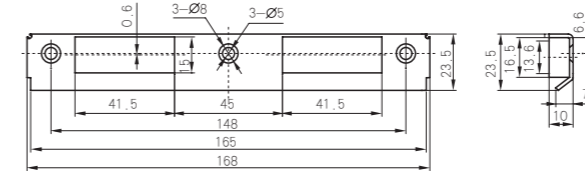
单边锁芯外形图



Single lock cylinder 单边锁芯



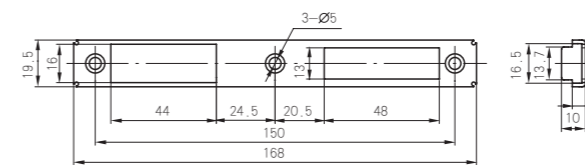
CZMK01



CZMK01



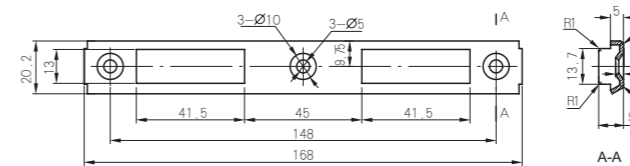
CZMK14A



CZMK14A



CZMK23



CZMK23

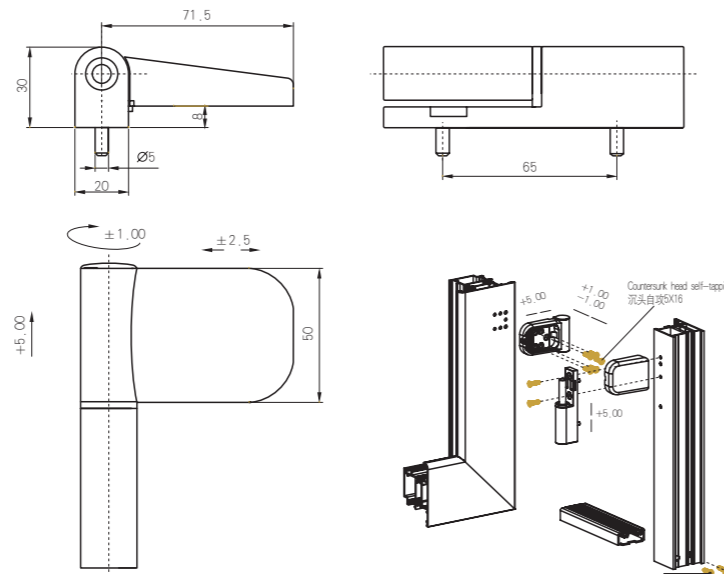


● 有多规格扣板可供客户选用，也可根据锁体和型材要求订做。
Various types of buckle are available for clients to select, it's also ok to make based on the lockbody and profile.

JX37



- Adjustable 3D, high-load, humanized designing hinge
- 1. Adjustable both at side, height, and sash pressure.
- 2. Maximum load: 100kg/twain, specific weight capacity is relevant to the installation and profile.
- 3. Separately adjustment at any direction.
- 4. Easily adjust the direction after installation by oneself.
- 5. Apply to casement door with 8-9mm discrepancy in height between leaf and frame.

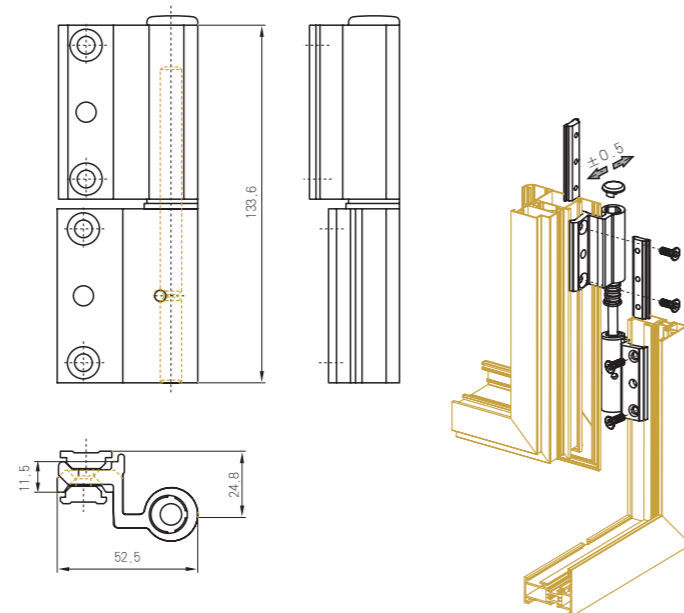


- 三维可调、高承重、人性化设计的合页
- 1. 可真正实现侧、高和扇压力调节的合页。
- 2. 最大可承重100kg/对，具体承重能力与合页安装和型材有关。
- 3. 每个方向都可单独调节。
- 4. 所有的调整方向都可以在安装好之后不费力进行，一个人可完成调节。
- 5. 适用于框、扇型材在同一平面高低相差8~9mm的平开门。

JX67



- Eccentric adjustable hinge
- European standard(20mm groove)casement door & window
- Maximum load: 80kg/twain, specific weight capacity is relevant to the installation and profile

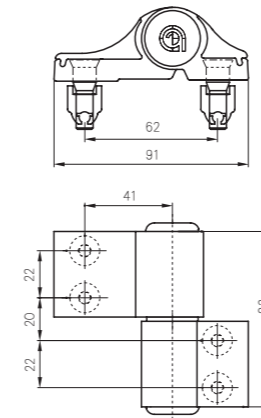


- 偏心调节合页。
- 适用于欧式20槽平开门窗。
- 最大可承重80kg/对，具体承重能力与合页安装和型材有关。

JX48



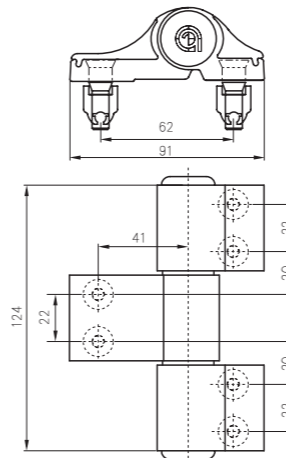
- 适用于框、扇型材在同一平面相平的平开门。如用于框、扇型材不在同一平面需附加框边垫块。
- 合页最大承重能力为100公斤，具体承重能力与合页安装和型材有关。
- 合页偏心可调，调节方式见后图安装说明。
- Apply to the casement door whose sash and frame are in a same plane, if not, an additional block should be installed on the border.
- Maximum load: 100kg/twain
The load of hinge is relevant to hinge installation and profile.
- Adjustable hinge eccentric, adjustment method is showed in the installation instruction



JX48A



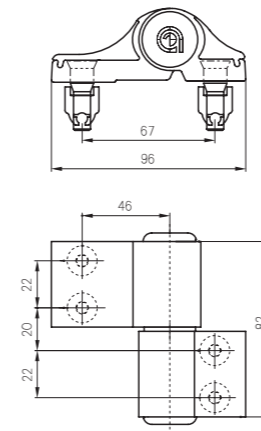
- 适用于框、扇型材在同一平面相平的平开门。如用于框、扇型材不在同一平面需附加框边垫块。
- 合页最大承重能力为140公斤，具体承重能力与合页安装和型材有关。
- 合页偏心可调，调节方式见后图安装说明。
- Apply to the casement door whose sash and frame are in a same plane, if not, an additional block should be installed on the border.
- Maximum load: 140kg/twain
The load of hinge is relevant to hinge installation and profile.
- Adjustable hinge eccentric, adjustment method is showed in the installation instruction



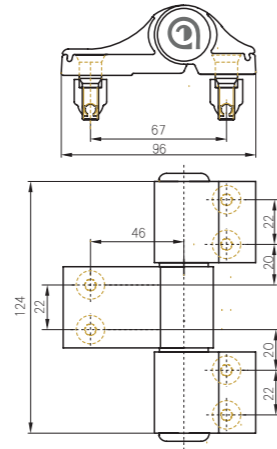
JX50



- 适用于框、扇型材在同一平面相平的平开门。如用于框、扇型材不在同一平面需附加框边垫块。
- 合页最大承重能力为100公斤，具体承重能力与合页安装和型材有关。
- 合页偏心可调，调节方式见后图安装说明。
- Apply to the casement door whose sash and frame are in a same plane, if not, an additional block should be installed on the border.
- Maximum load: 100kg/twain
The load of hinge is relevant to hinge installation and profile.
- Adjustable hinge eccentric, adjustment method is showed in the installation instruction

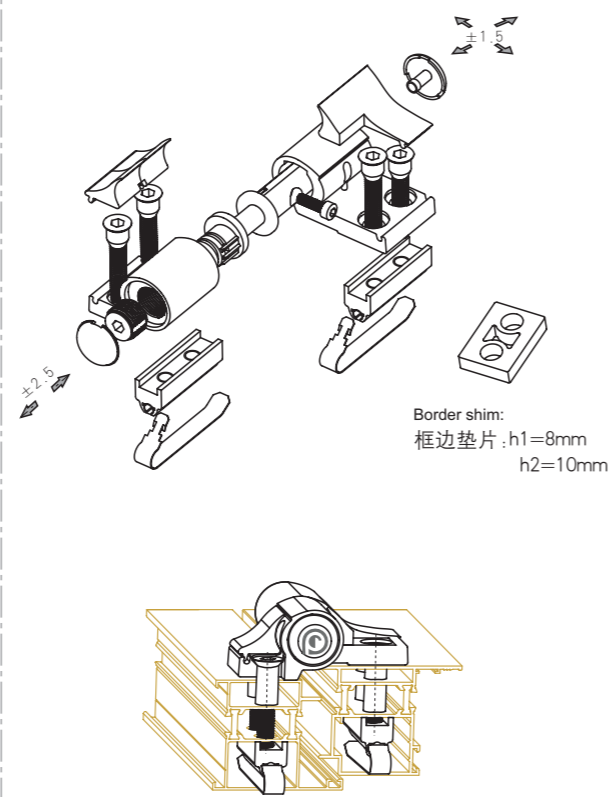
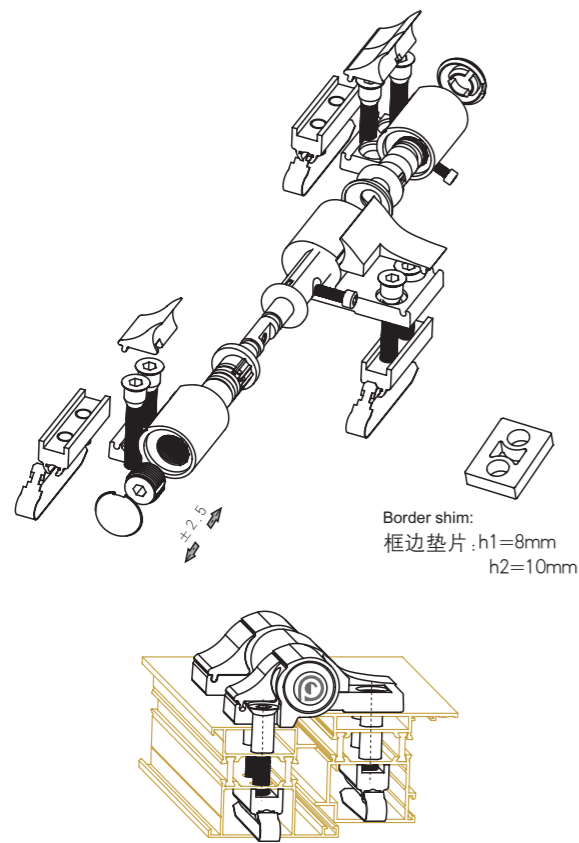


JX50A

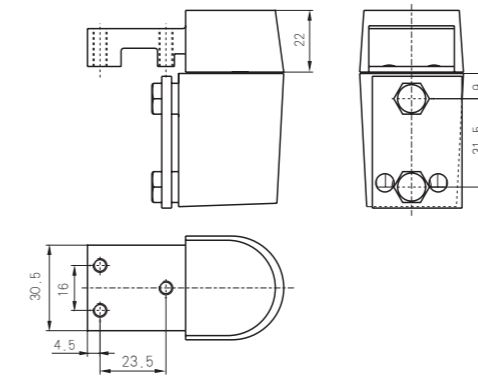


- 适用于框、扇型材在同一平面相平的平开门。如用于框、扇型材不在同一平面需附加框边垫块。
- 合页最大承重能力为140公斤，具体承重能力与合页安装和型材有关。
- 合页偏心可调，调节方式见后图安装说明。
- Apply to the casement door whose sash and frame are in a same plane, if not, an additional block should be installed on the border.
- Maximum load: 140kg, specific weight capacity is relevant to the installation and profile.
- Adjustable hinge eccentric, adjustment method is showed in the installation instruction.

安装示意图 Assembling diagram



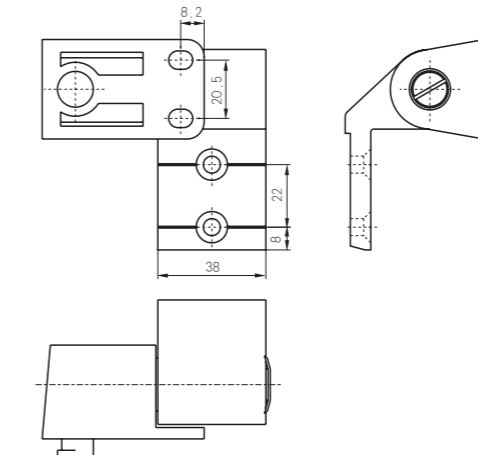
JX20 Upper hinge JX20上部合页



JX20-001



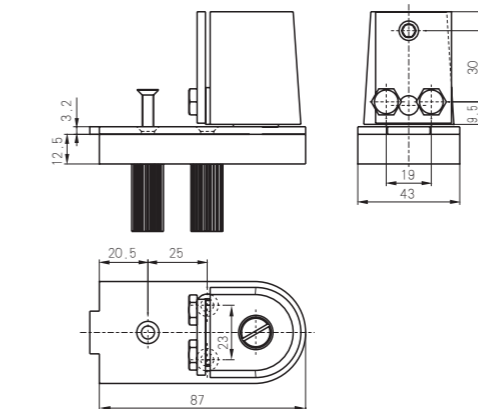
JX20 Middle Hinge JX20中部合页



JX20-002



JX20 Bottom Hinge JX20下部合页



JX20-003



Flush Bolt



插销

JG/T214-2007

定义：实现对门窗定位、锁闭功能的装置。

性能指标：

- 1、空载时，操作力矩不超过 $2N \cdot m$ ，或操作力不超过 $50N$ ；负载时，操作力矩不超过 $4N \cdot m$ ，操作力不超过 $100N$ 。
- 2、反复启闭5000次后，插销能正常工作，并满足操作力。
- 3、插销杆承受 $1000N$ 压力作用力后，操作力矩不应超 $8N \cdot m$ 。

使用范围：平开门窗假中挺对开扇上。

Flush Bolt

JG/T214-2007

Definition:

The device that realizes location and lock function.

Performance index:

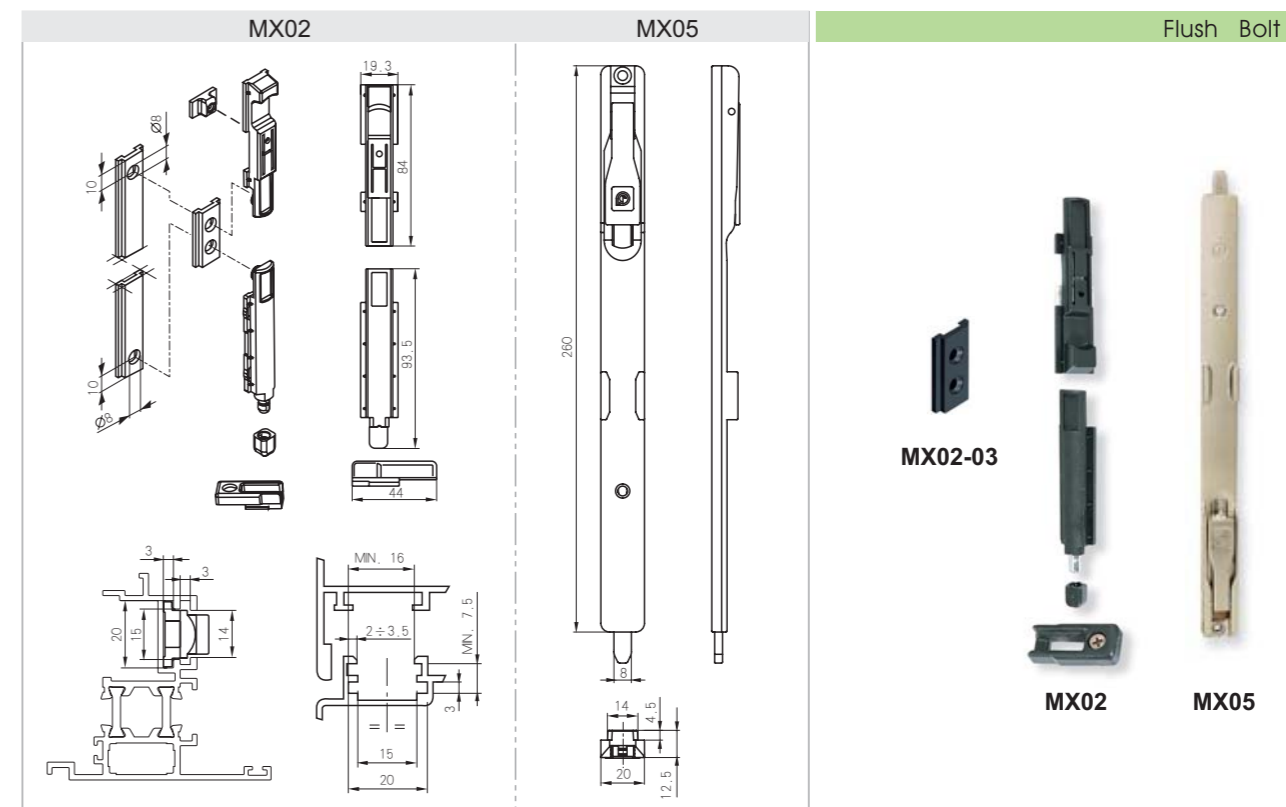
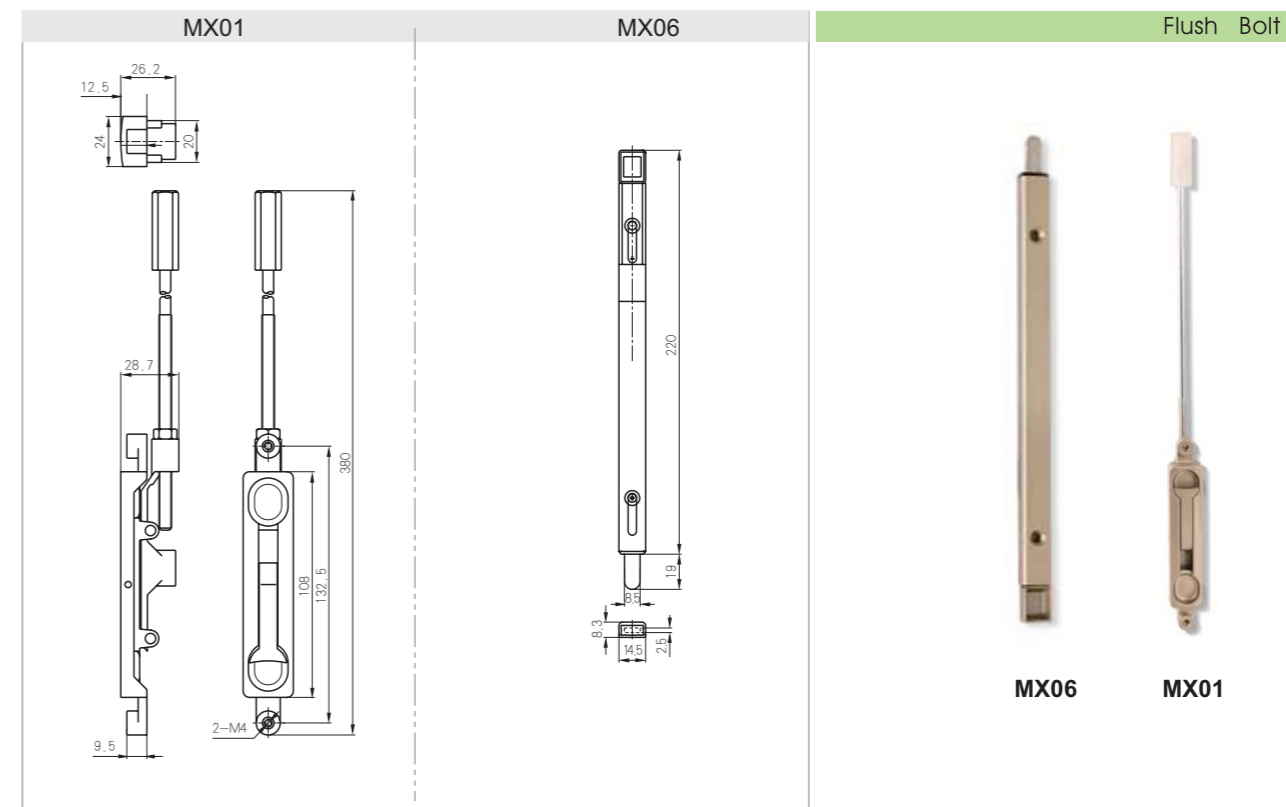
Non-load: Operating torque $\leq 2N \cdot m$, or operating force $\leq 50N$.

Loading: Operating torque $\leq 4N \cdot m$, or operating force $\leq 100N$.

After 5000 times, repeatedly experiment, the flush bolt remains regular function.

After bearing $1000N$ operation force, operation torque is less than $8N \cdot m$. and closing after the 15000 cycle test, the change of rotating component $\leq 0.5mm$

Scope of application: Casement window .



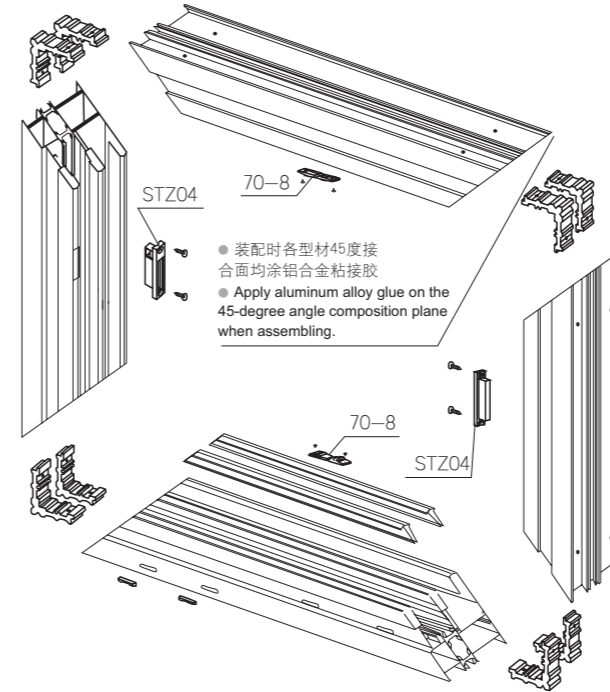
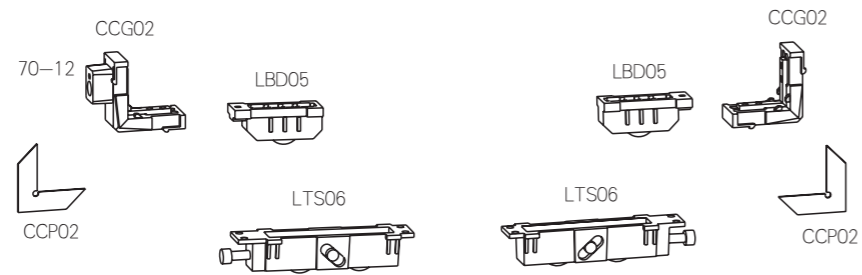
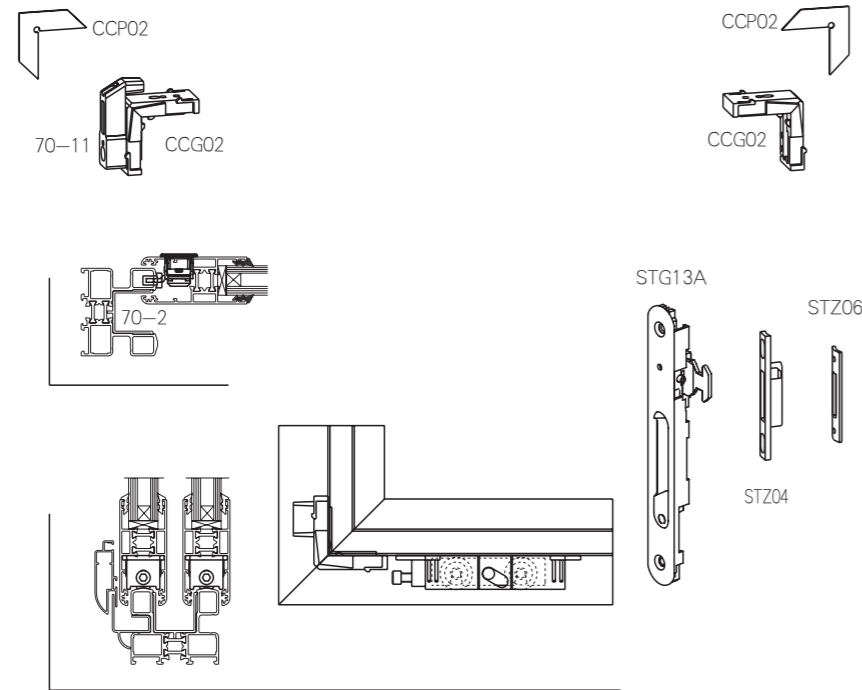
70 Energy-saving Sliding Door & Window Series

70节能推拉门窗系列



70 Energy-saving Sliding Door & Window Series

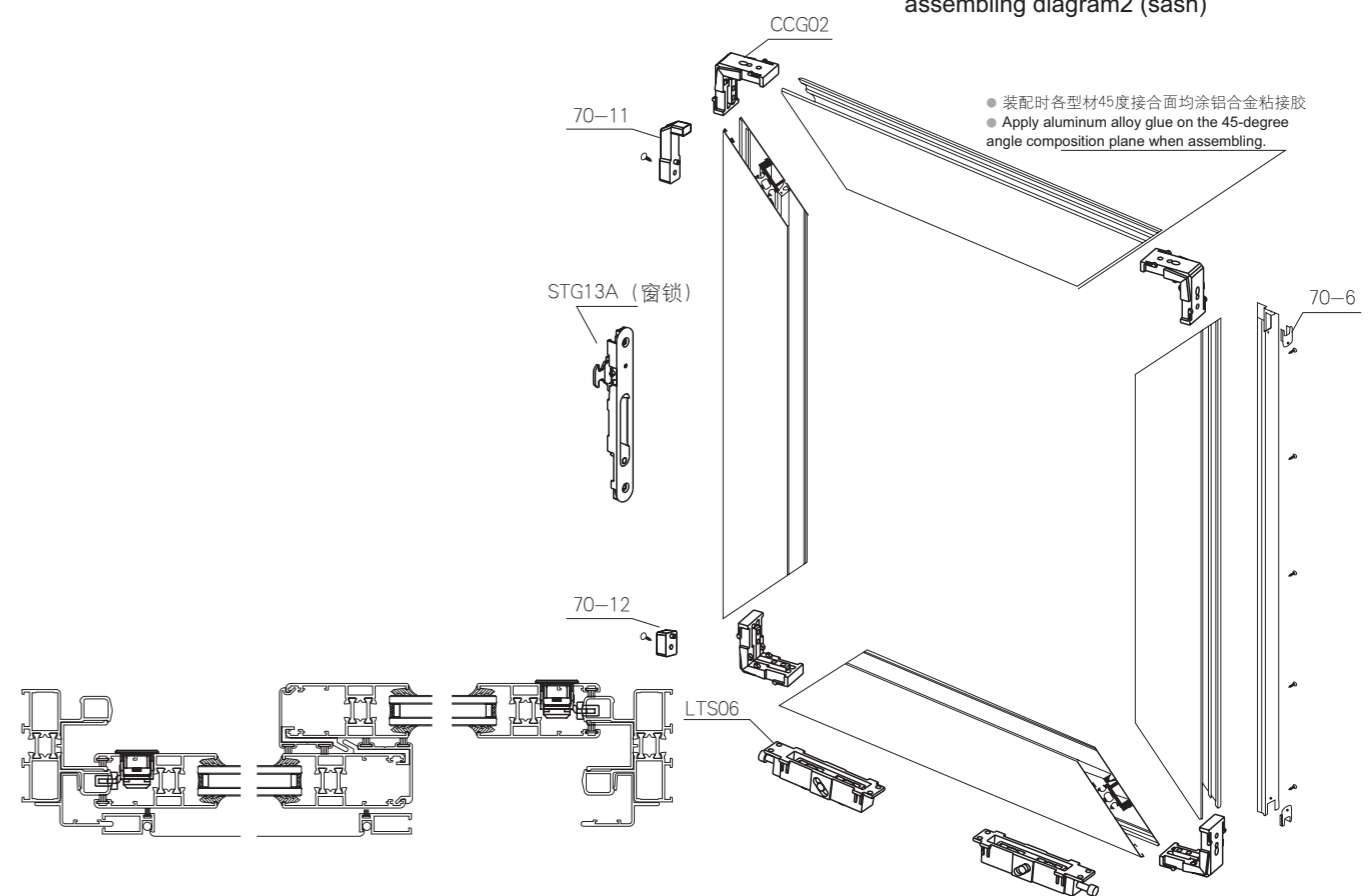
70节能推拉门窗系列



▶ 70 系列节能推拉门窗装配范例1(窗框)
70 Energy-saving sliding Door&Window assembling diagram1 (frame)



▶ 70 系列节能推拉门窗装配范例2(窗扇)
70 Energy-saving sliding Door&Window assembling diagram2 (sash)



● 70隔热推拉窗配置(两扇)
70 Energy-saving sliding door & window series(double sashes)

序号 No.	产品名称 Description	产品编号 Code	数量 QTY	备注 Remark
1	勾企硬胶片 Weather Hard-plastic-slip	70-1		
2	U型硬胶片 U Shape Hard-plastic-slip	70-2		
3	STG13A条锁 GR70 Sliding Lock	STG13A	2	配STG13-20A锁勾 Chosen together with STG-13A lock hook
4	GR70隔热窗锁座 GR70 Lock Holder	STZ04	2	
5	CCP02平整钢片 Steel Joint	CCP02	16	
6	装饰盖 Decorative Stopper	70-6	4	
7	排水孔盖 Water Drainage Cover	70-7	2	
8	防盗块 Anti-theft Block	70-8	2	
9	转角连接器 CCG02 Corner+Connection Device	CCG02	8	
10	70双轮 70Double Roller	LTS06	4	用于大窗 For big windows
11	70胶轮 70Plastic Single Roller	LBD05	4	用于小窗 For small windows
12	大防撞胶 Big Anti-hitting Plastic Block	70-11	2	
13	小防撞胶 Small anti-hitting Plastic Block	70-12	2	
14	硅化毛条 Weather Strip			

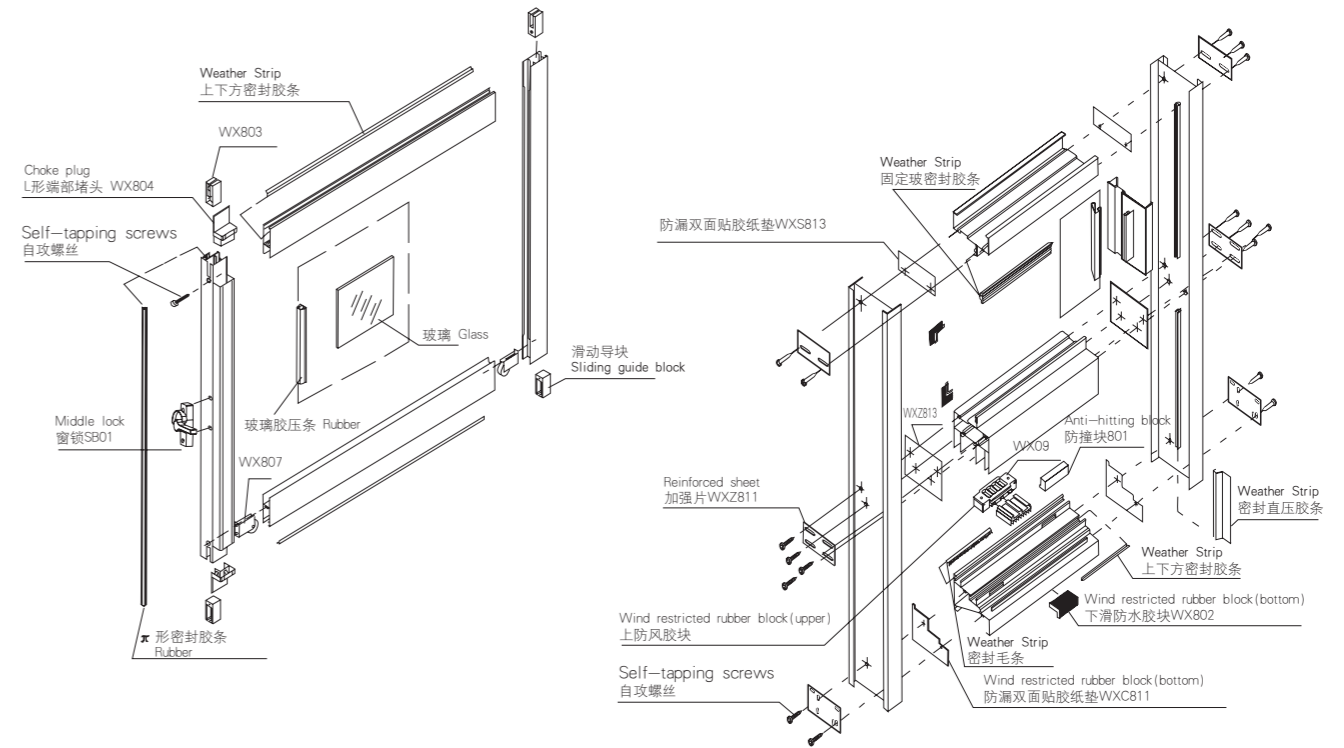
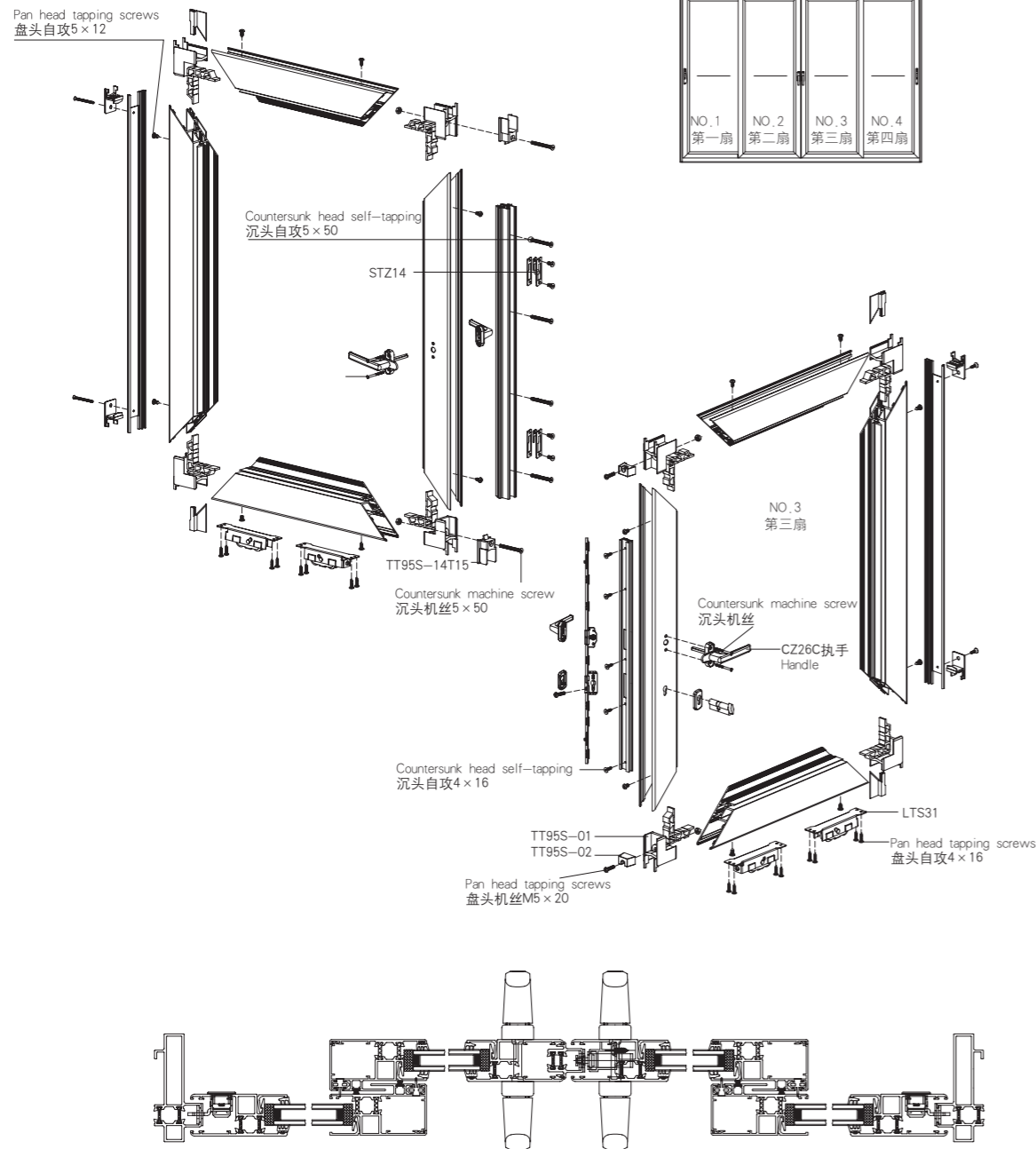
Balcony Sliding Doors

Of the Installation Diagram

阳台推拉门对开安装示意图

► 通用型推拉窗安装范例(窗扇)
Universal sliding window assembling diagram (sash)

► 通用型推拉窗安装范例(窗框)
Universal sliding window assembling diagram (frame)



● 通用型推拉窗配件表
General sliding window series

配件 Accessories	型号 Code	产品名称 Description
	WX803	滑动导块(安装在窗扇型材推头处)
	WX809	上防风胶块(安装在上滑两扇窗接口处) Wind restricted rubber block (upper)
	WX802	下滑防风胶块(安装在下滑两扇窗接口处) Wind restricted rubber block (bottom)
	WX801	防撞块(安装在下滑端口) Anti-hitting block
	WX804	L型端部堵头(一套) Choke plug (安装在有凸出手柄勾企的上下端) (安装时上端是长堵头下端是短堵头)
	WXF804	纱窗防脱件(纱窗上方用) Screen anticreep device
	WXS811	导装加强片 加强窗框(四角) Reinforced sheet
	WXZ811	导装加强片 加强窗框(四角) Reinforced sheet
	WXC811	加强窗框(四角) Reinforced sheet

配件 Accessories	型号 Code	产品名称 Description
	WX806	纱窗轮 Screen rolle
	WX807	窗轮 Roller
	WXS813	加强片 加强窗框(四角) Reinforced sheet
	WXZ813	加强片 加强窗框(四角) Reinforced sheet
	WXC813	加强片 加强窗框(四角) Reinforced sheet
	SB01	中间锁(用自攻钉安装在型材上) Middle lock
	SBG01	中间锁扣(用自攻钉安装在型材上) Middle lock buckle
	WXY801	燕尾铁(窗框固定) Swallow tail iron

● 示意图:

1. 请根据我司提供的相关配置图正确选用合理的五金及优质的密封件, 并按图开孔安装, 它是成为优良门窗的保证。
2. 本配置安装示意图适用于带入户花园的阳台推拉门中, 执手有多种选择, 可根据型材实配。
3. 本配置中间采用手启闭, 操作方便更具人性化。
4. 实现了多点锁闭和防盗锁芯, 安全性更高。

1. Please correctly select excellent hardware and sealing accessories based on our offered configuration drawings which are the important guarantee to become perfect door&window.
2. This assembling drawing applies to balcony sliding door in the garden; various options for handle based on profile.
3. This configuration which adopts manual open-close makes the operation more convenient and humanized.
4. Multi-point locking and anti-thief cylinder ensure the safety.

Sliding Latch Lock



单点锁闭器

定义：通过操作，对推拉门窗实现单一位置锁闭的装置。

性能指标：

- 1、操作力矩应小于 $2N \cdot m$ （或操作力应小于 $20N$ ）。
- 2、锁闭器部件在 $400N$ 静压（拉）力作用后，不应损坏。
- 3、反复启闭 20000 次后，开启、关闭自定位位置正常。

使用范围：建筑水平推拉窗、室内推拉门。

Sliding Latch Lock

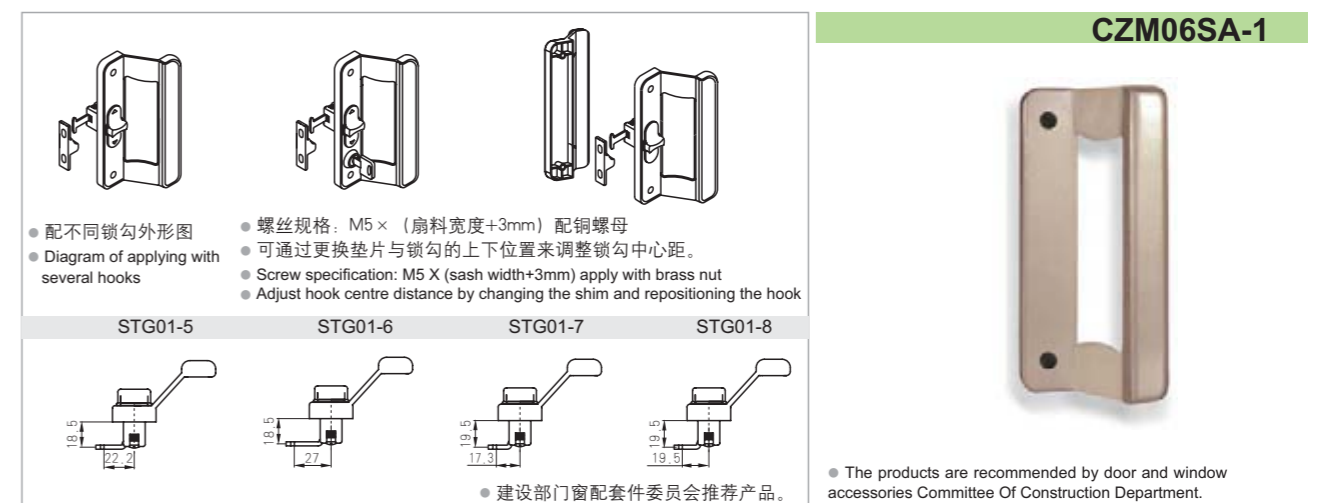
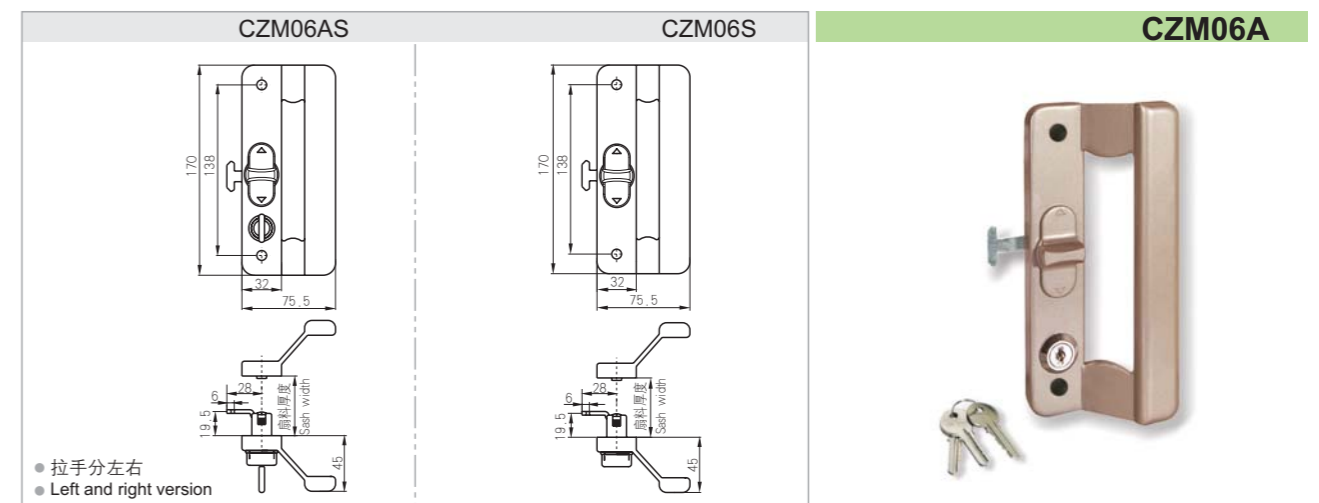
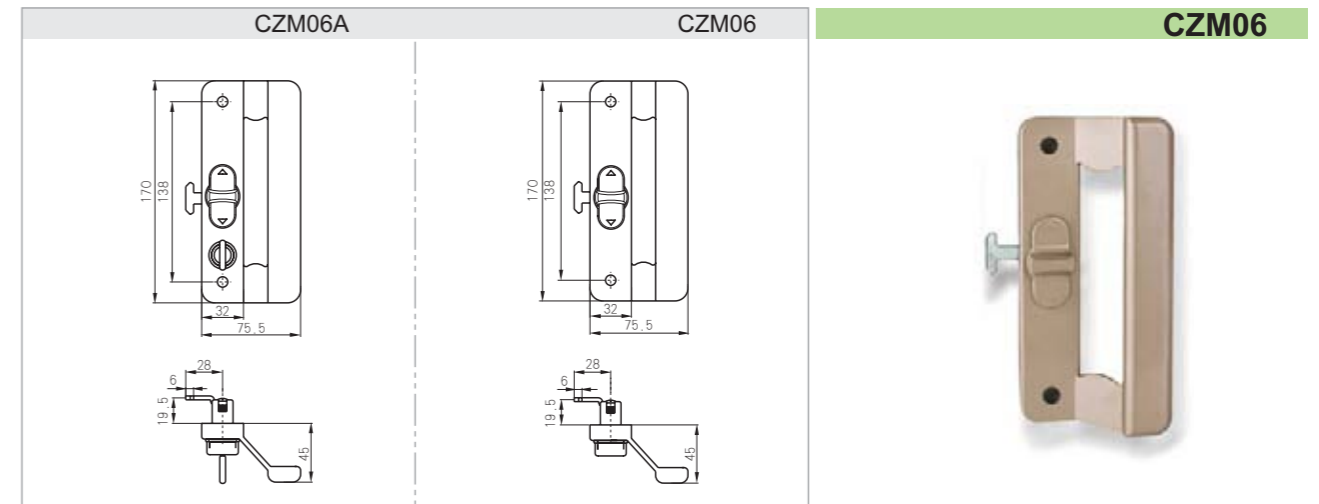
Definition:

The device that realizes single site locking on sliding window and door through operating.

Performance index:

1. Operating torque $\leq 2N \cdot m$. Operating force $\leq 2N$
 2. After $400N$ static tension, the component of locking device should not be damaged.
- Repeatedly opening and closing $20,000$ cycles, the positions of the open and close are normal.

Scope of application: Casement, sliding door.



Sliding Door & Window Lock Series

推拉门窗锁系列

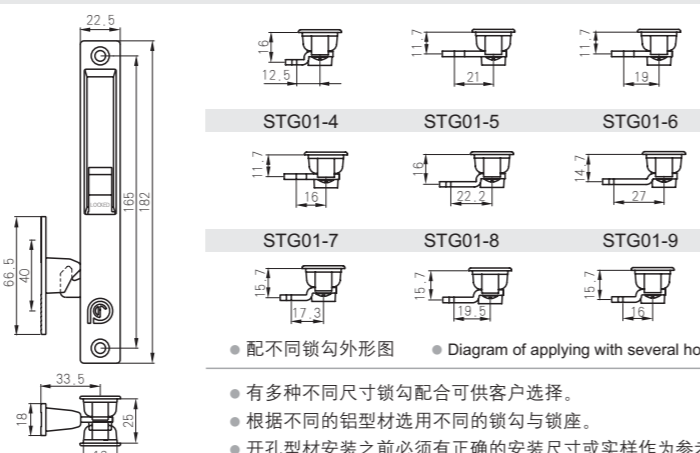
Sliding Door & Window Lock Series

推拉门窗锁系列

STG02



- Various sizes of hook are available for client to select
- Select different hook and striker based on the aluminum profile
- Refer to the correct installation or sample before installing the opening profile

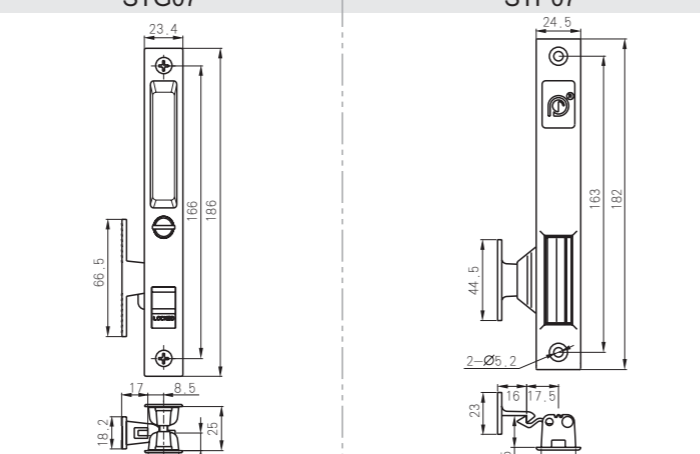


STG01-1 STG01-2 STG01-3
STG01-4 STG01-5 STG01-6
STG01-7 STG01-8 STG01-9

- 配不同锁勾外形图
- Diagram of applying with several hooks
- 有多种不同尺寸锁勾配合可供客户选择。
- 根据不同的铝型材选用不同的锁勾与锁座。
- 开孔型材安装之前必须有正确的安装尺寸或实样作为参考。



STG07 STP07

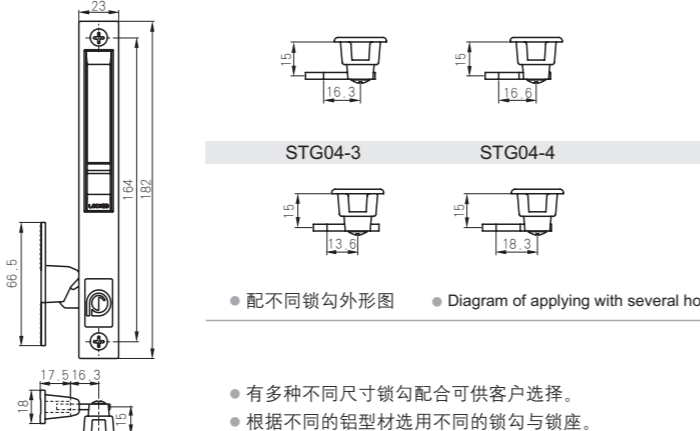


STG07 STP07

STG12



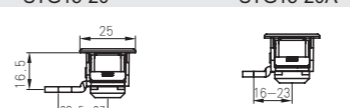
- Various sizes of hook are available for client to select
- Select different hook and striker based on the aluminum profile
- Refer to the correct installation or sample before installing the opening profile



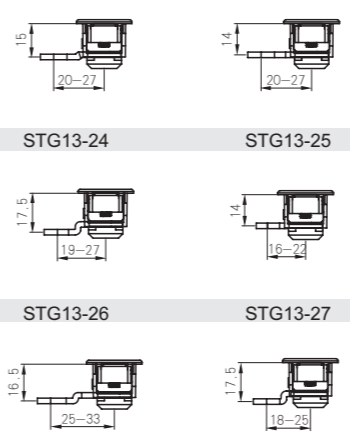
STG04-1 STG04-2
STG04-3 STG04-4

- 配不同锁勾外形图
- Diagram of applying with several hooks
- 有多种不同尺寸锁勾配合可供客户选择。
- 根据不同的铝型材选用不同的锁勾与锁座。
- 开孔型材安装之前必须有正确的安装尺寸或实样作为参考。

- 可根据型材需要将锁勾翻转安装
- 通过调节螺丝可将锁勾左右调整达7mm
- 可实现防盗功能
- 锁勾长度有多种可选
- 根据不同的铝型材选用不同的锁勾与锁座。
- 开锯型材安装之前必须有正确的安装尺寸或实样作为参考。



STG13-20 STG13-20A



STG13-21 STG13-22
STG13-24 STG13-25
STG13-26 STG13-27

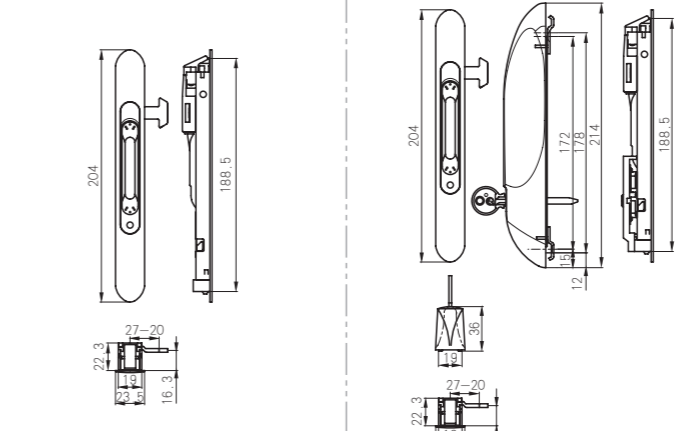
- 配不同锁勾外形图
- Above various hook for different profile selection

STG13



- Switching installation of the hook based on profile
- Make adjustable range of the left and right edge reach to 7mm
- Realize the anti-thief function
- Many options for the hook length
- Select different hook and striker based on the aluminum profile
- Refer to the correct installation or sample before installing the opening profile

STG13A

STG16B STG16

STG16



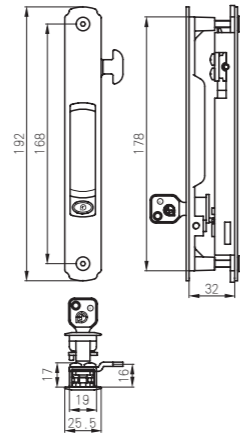
Sliding Door & Window Lock Series
推拉门窗锁系列

Sliding Door & Window Lock Series
推拉门窗锁系列

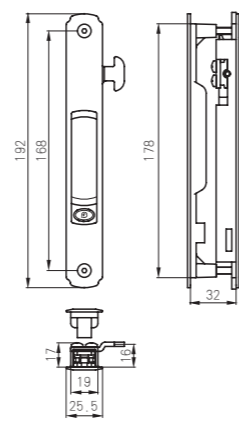
STG23



STG23



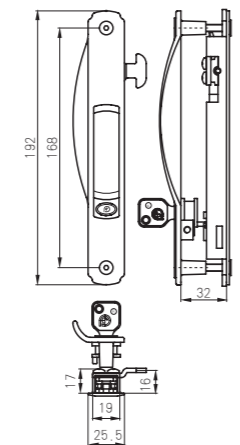
STG23B



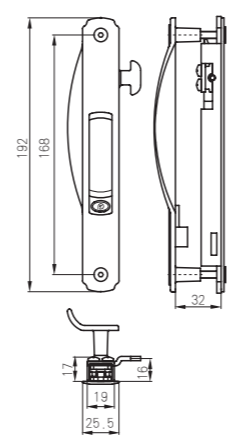
STG23A



STG23A



STG23C

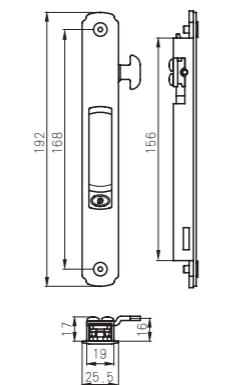


STG23D手动 / STG23E自动

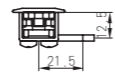


- Switching installation of the hook based on profile
- Make adjustable range of the left and right edge reach to $\pm 3.5\text{mm}$
- Realize the anti-theft function
- Above various hook for different profile selection

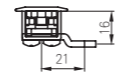
STG23D



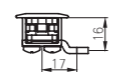
STG23-15



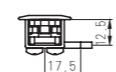
STG23-16



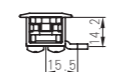
STG23-17



STG23-18



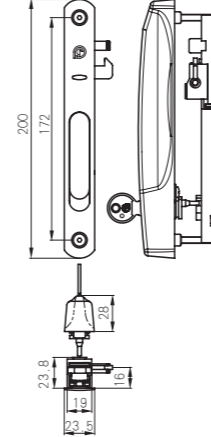
STG23-19



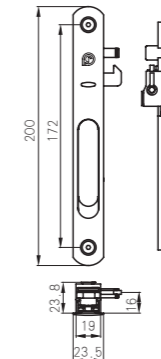
- 配不同锁勾外形图
- Diagram of applying with several hooks

- 可根据型材需要将锁勾翻转安装
- 通过调节螺丝可将锁勾调整 $\pm 3.5\text{mm}$
- 可实现防盗功能
- 锁勾长度有多种可选

STG18A



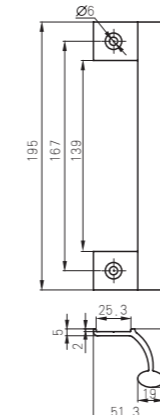
STG18E



STG18

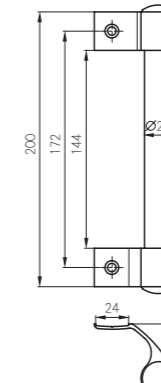


CZM10



- 与STG08、STG13系列条锁配合使用。

STG18-12



- 与STG18系列条锁配合使用。

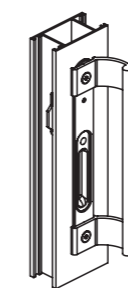
CZM10

- Apply with sliding lock series STG08、STG13

STG18-12

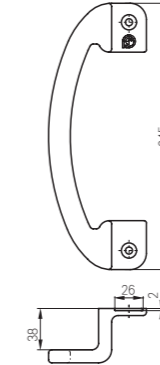
- Apply with sliding lock series STG18

STG13P



- 拉手可与各种条锁配合使用。
- 适用于各种公共场所或家居阳台门中。
- 开启方便。
- 外形美观，雅致大方。

STG13P



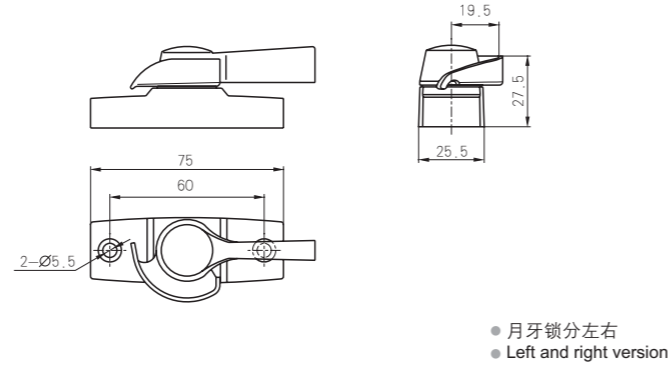
- 与STG13系列条锁配合使用。
- Apply with sliding lock series STG13

STG13P

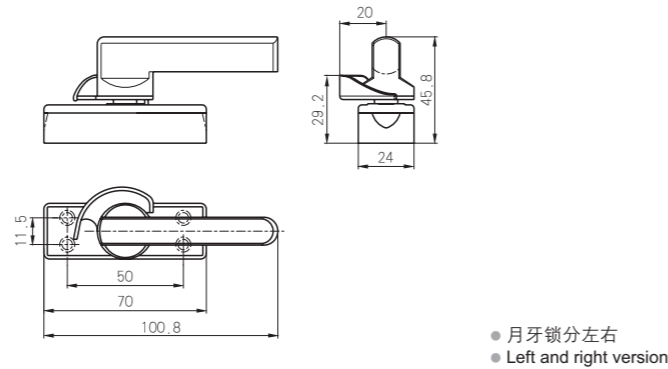


- The handle can be applied with various slide locks
- Apply to the public or balcony door at home
- Conveniently opening
- Beautiful, elegant and lavish appearance

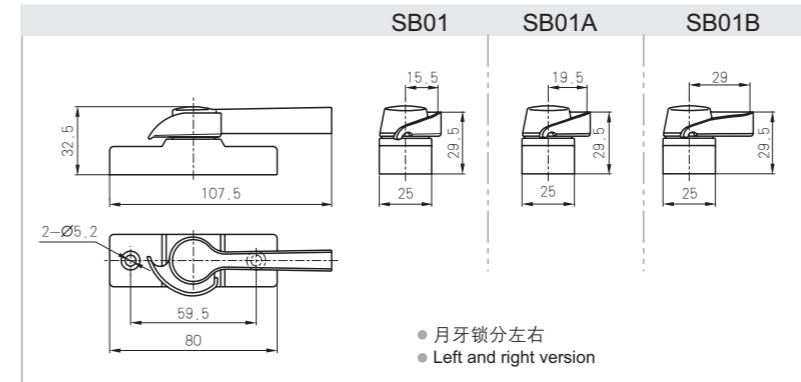
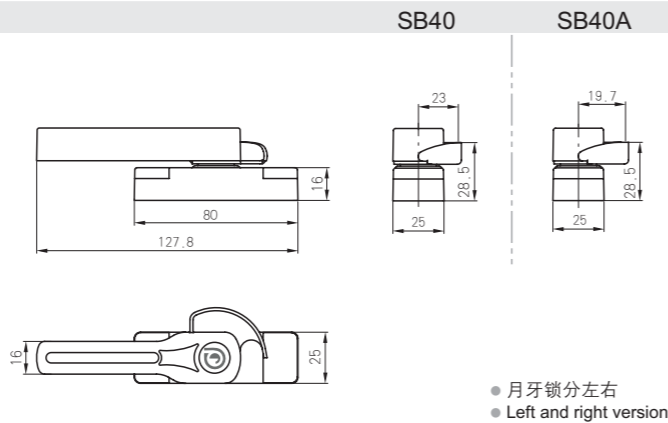
SB05B



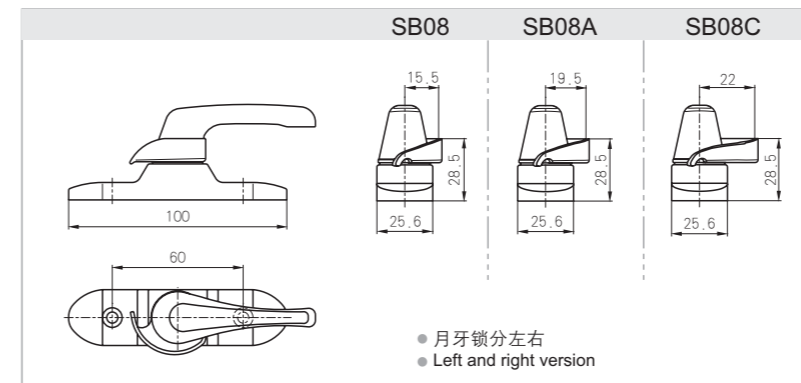
SB15



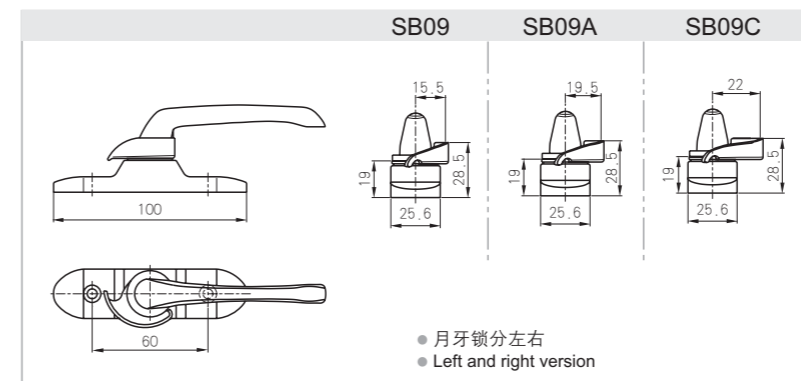
SB40



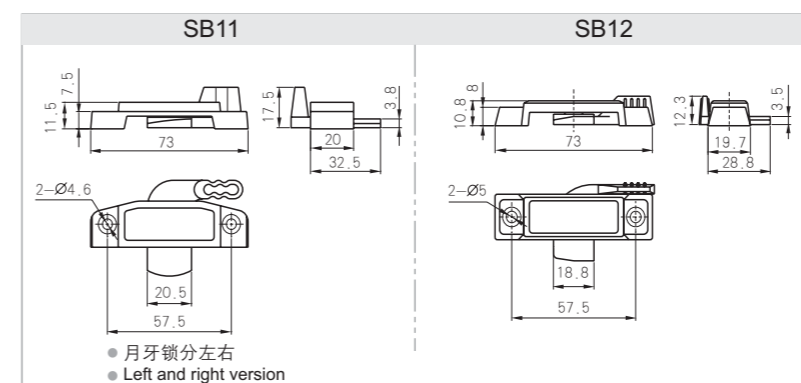
SB01



SB08

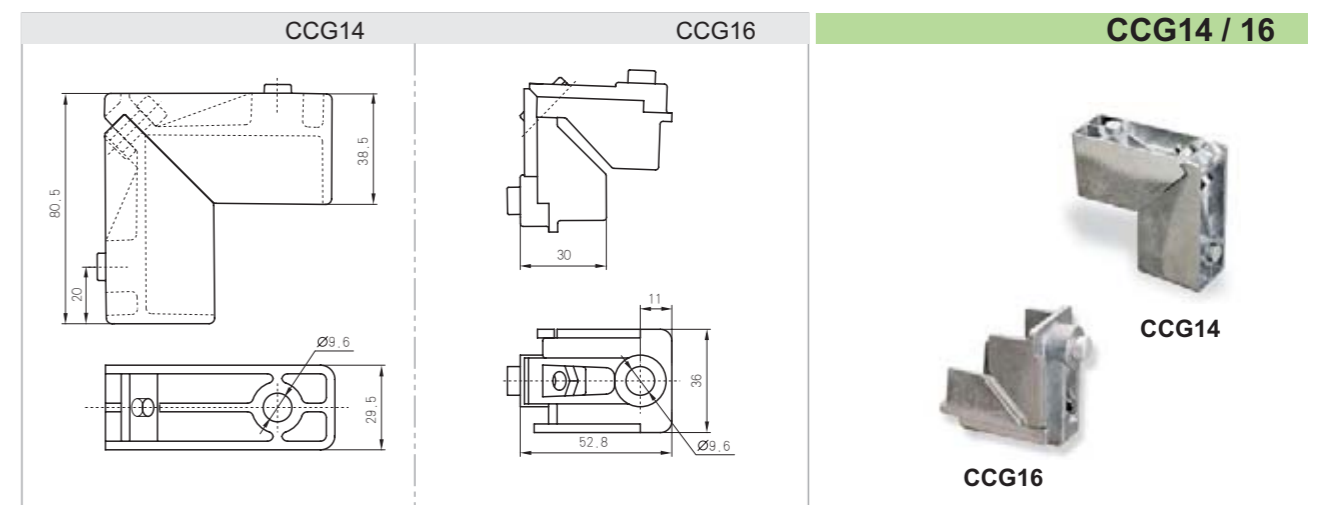
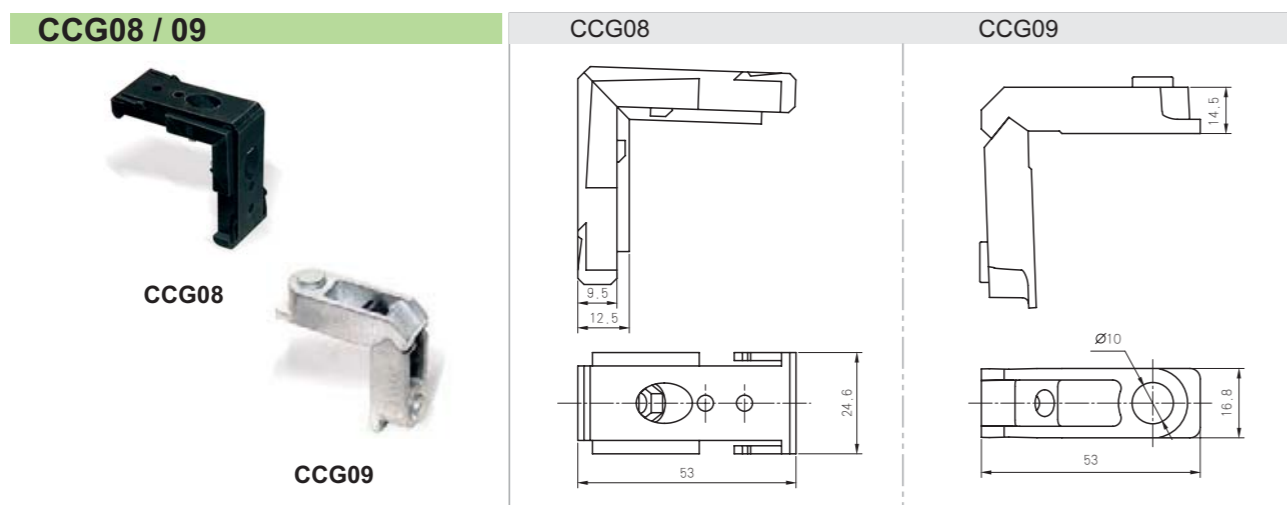
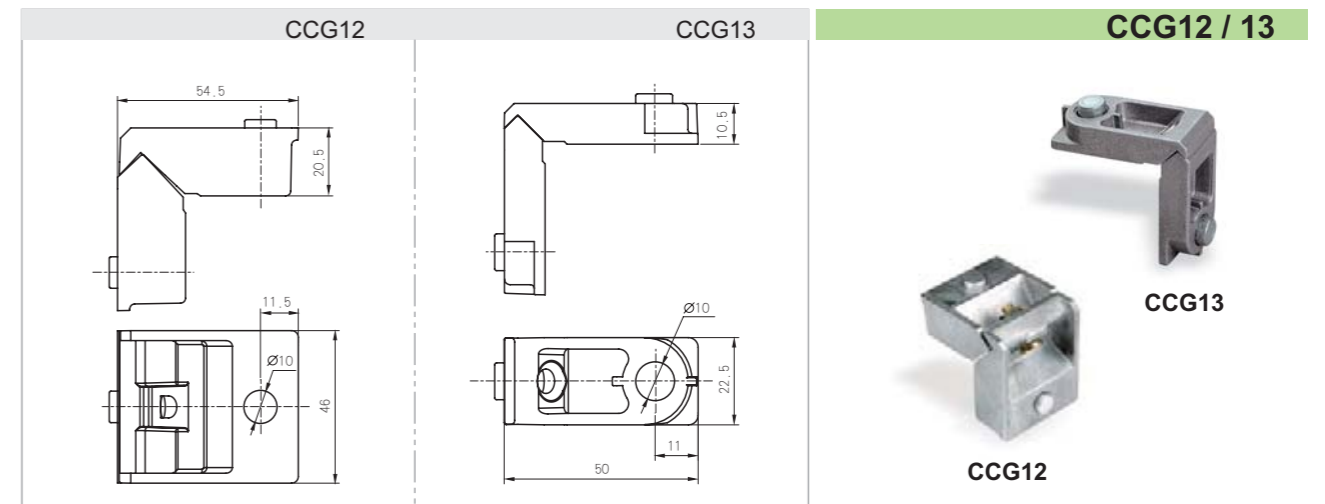
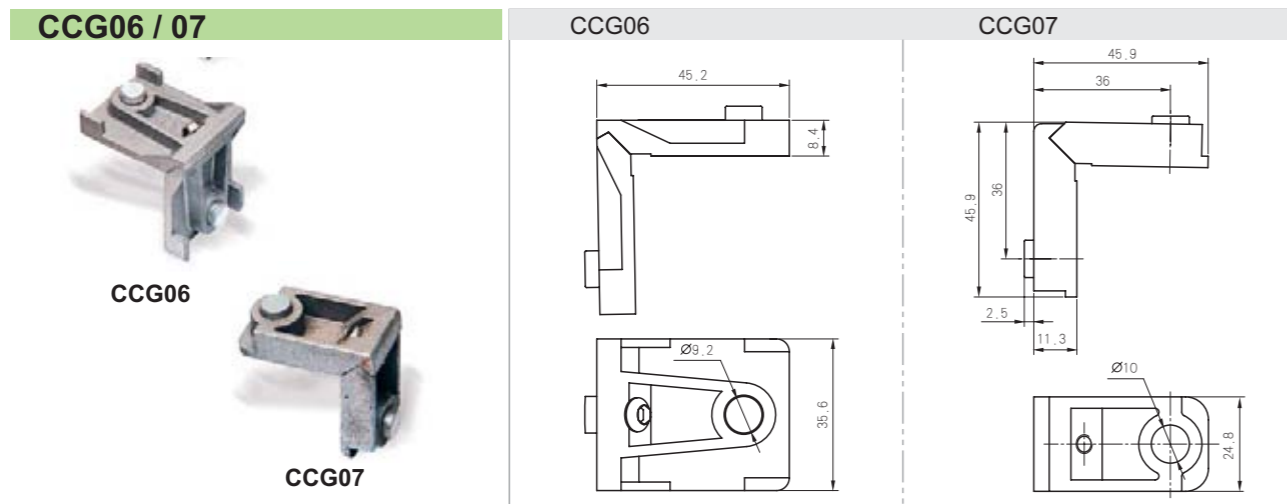
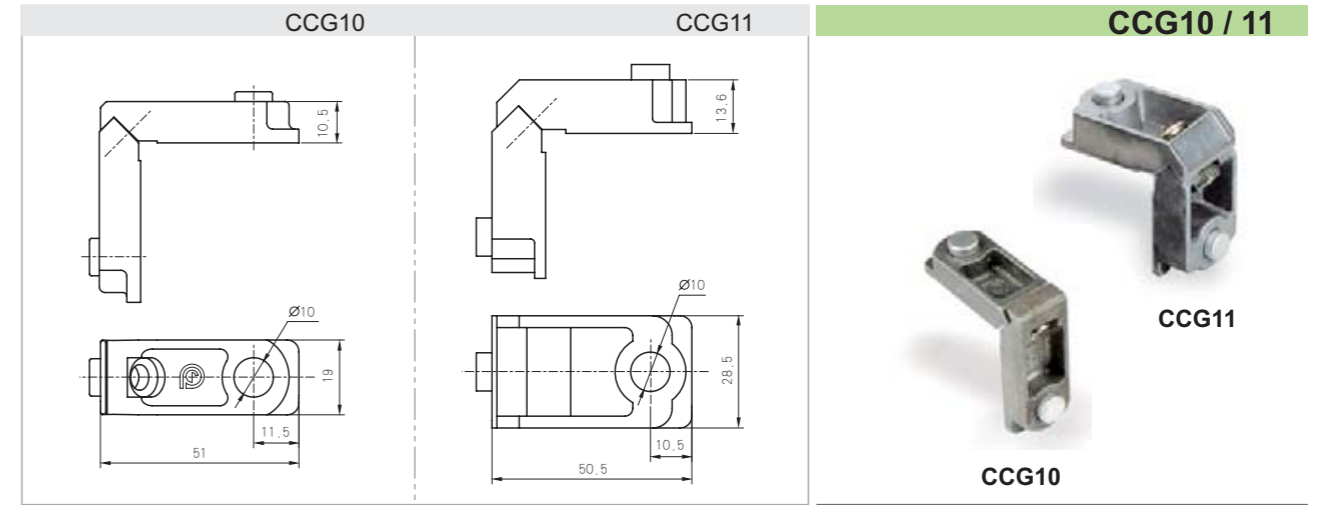
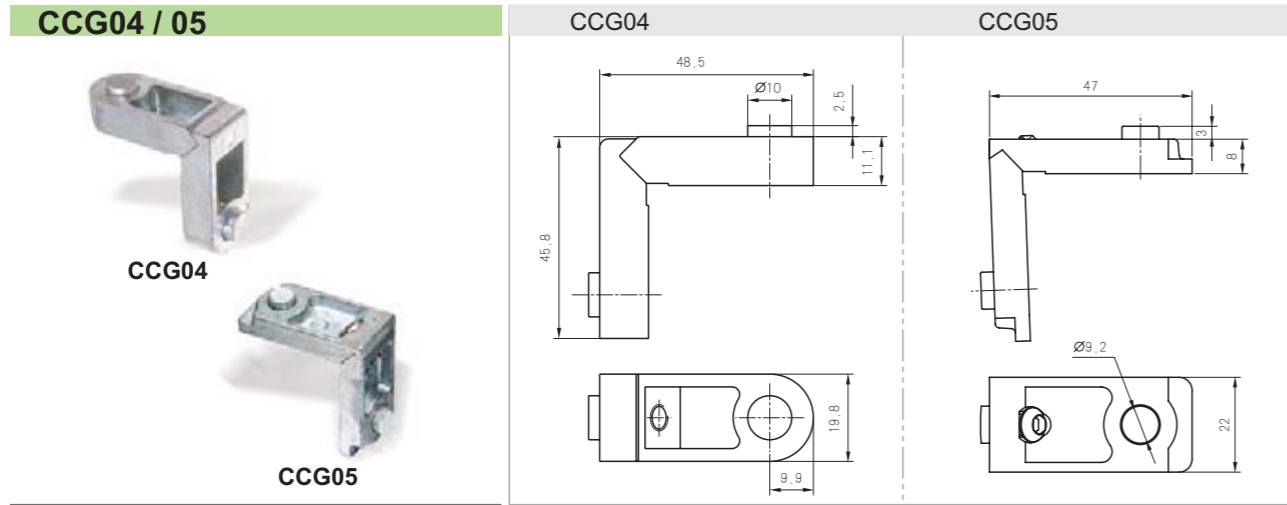


SB09



SB12

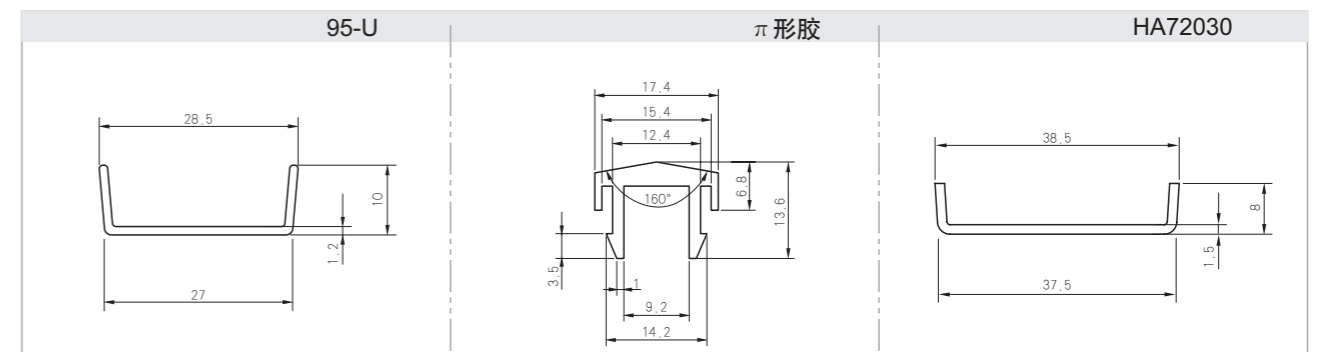
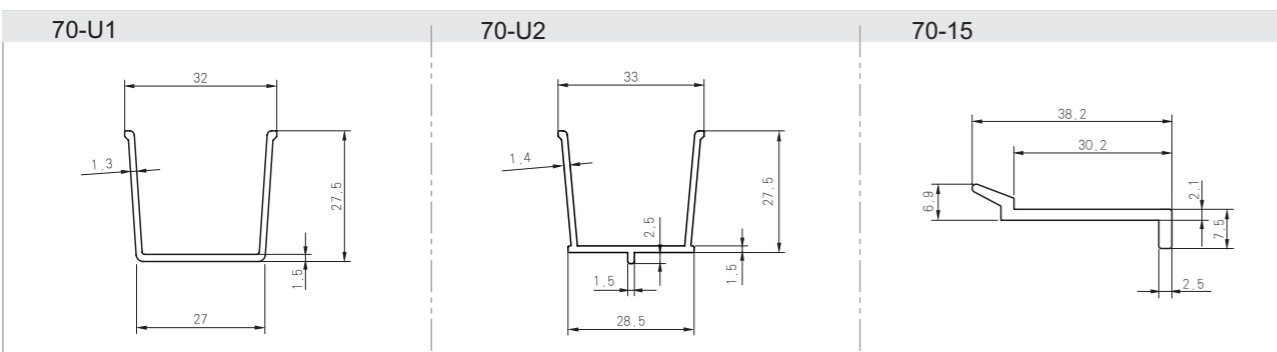
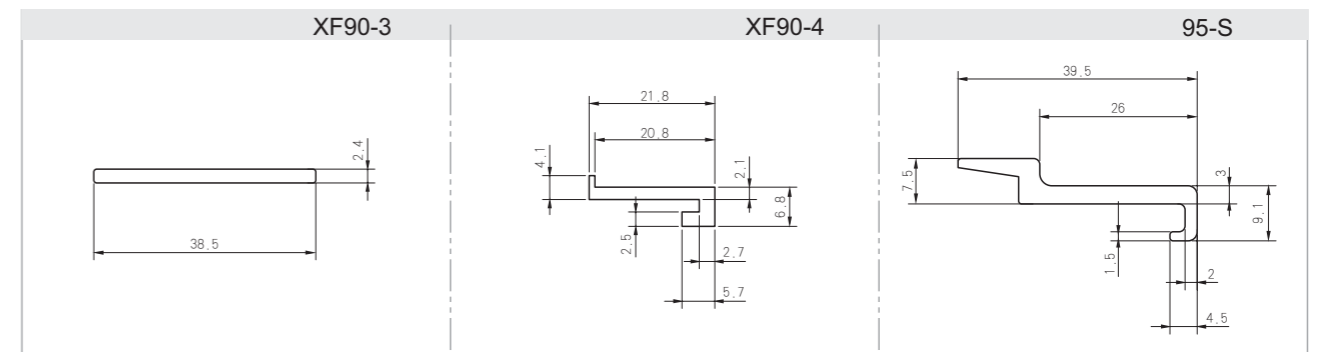
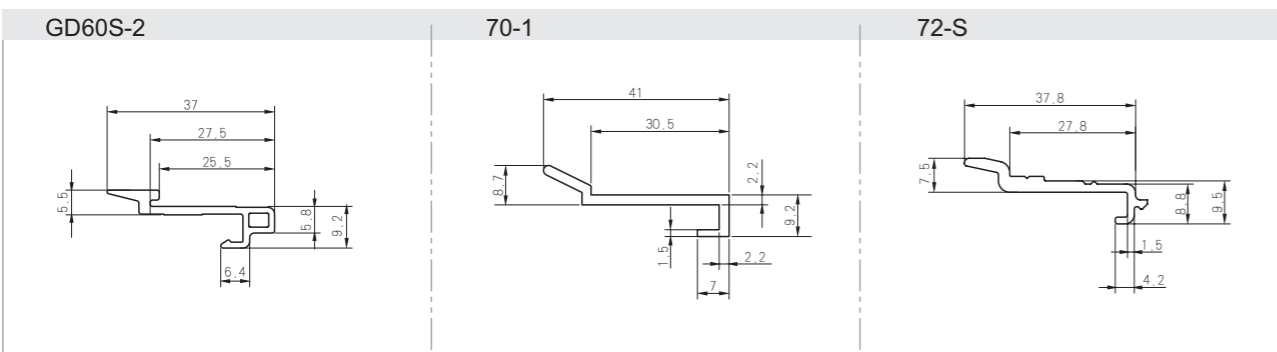
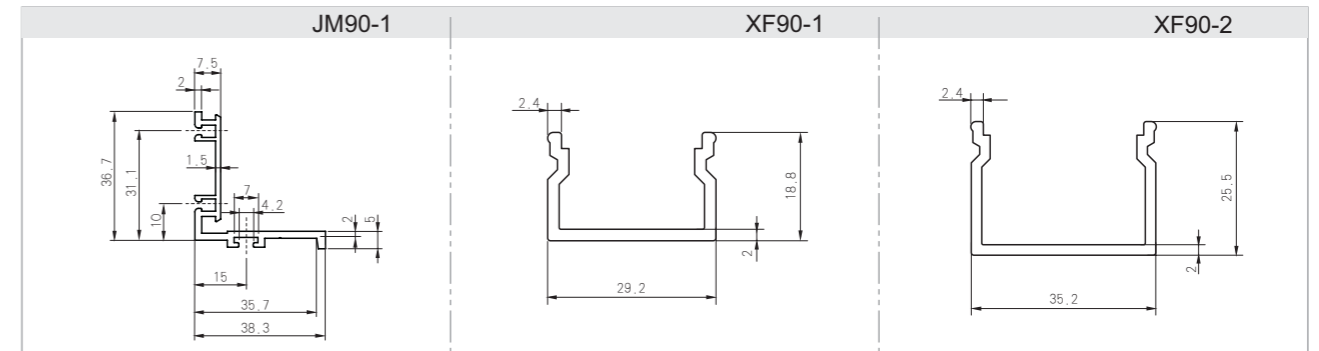
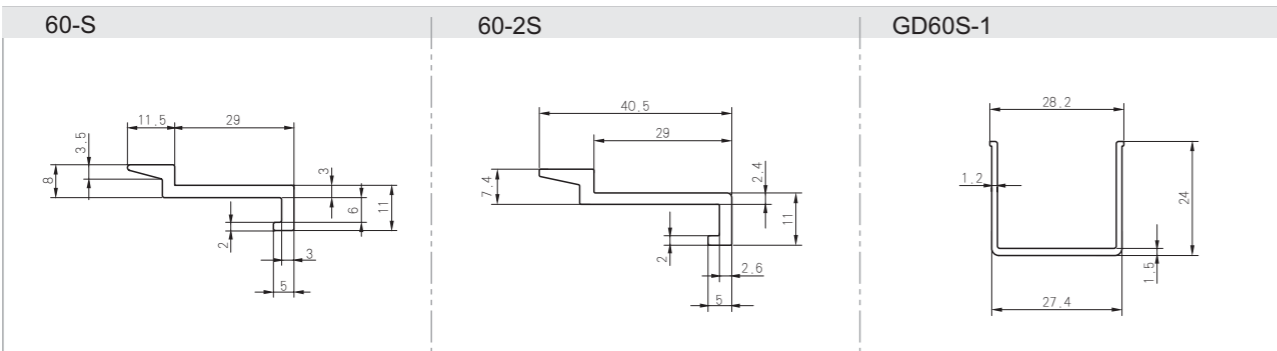
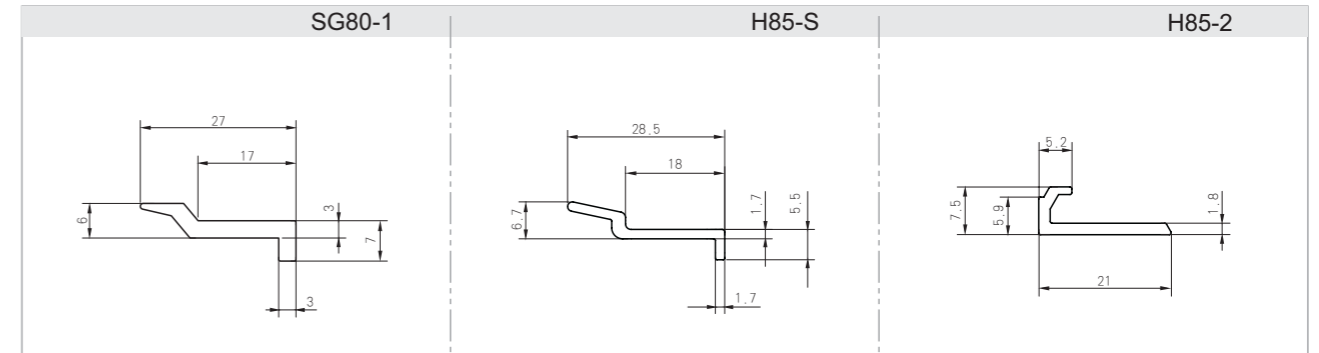




胶条 Rubber strip



- 常备规格为6m/支。
 - 特殊定尺生产的，请您事先协调，最少定量为2000米/单。
 - 安装使用注意事项：
 - 1、因为所配套的物料，使用的方式、方法非我们所能控制。所以，请您必须注意，别忘了使用前的试用测试。
 - 2、剪裁尺寸和角度必须适当。
 - 3、必要的使用螺丝辅助固定。
 - 4、请用密封胶填满窗框下方的隔热穿条凹槽，以免储藏污水。
- Formal specification is 6m per one.
 - Negotiation before special order products and maximum order is 2000m/sheet.
 - Technique information
 1. As the material and use-pattern could not be controlled by us, so pay attention to trial or test before using.
 2. The cutting size and angle must be suitable.
 3. Use screw to fasten if necessary.
 4. Use sealing strip to fill up the bottom of the frame for insulating heat and avoiding sewage storage.



Roller Series



滑轮

JG/T129-2007

定义：承重门窗重量，将重力传递到框材上，并能在外力的作用下，通过自身的滚动使门窗扇沿框材轨道往复运动的装置。

性能指标：一套滑轮按实际承载质量做反复启闭试验，门用滑轮达到100000次，窗用滑轮达到25000次后，轮体能正常滚动，达到试验次数后，在承受1.5倍的承载质量时，启闭力不应大于100N。

使用范围：建筑水平推拉窗、室内推拉门。

Roller

JG/T129-2007

Definition:

The device that bears the weight of window or door and makes window or door repeatedly slide on the pathway through its rolling.

Main technical features:

Door rollers work well after 100000 cycles tested with its biggest capacity. Window rollers work well after tests of 25000 cycles tested with its biggest capacity.

Scope of application:

Construction sliding window and indoor sliding door

1、滑轮的选用

●滑轮的选用需根据门窗扇的重量和铝型材的安装空间及滑轮的承重量确定：

- 1)门窗扇的重量=(玻璃重量+扇型材重量)×安全系数1.3。
- 2)确定扇下方与下滑的配合空间和下滑轨道形状尺寸，滑轮转动轮子的形状和尺寸需与下轨的形状相吻合。
- 3)根据分别满足第1、2项门窗扇重和门窗扇下方、下轨配合尺寸要求，选择符合与其相应要求的滑轮。

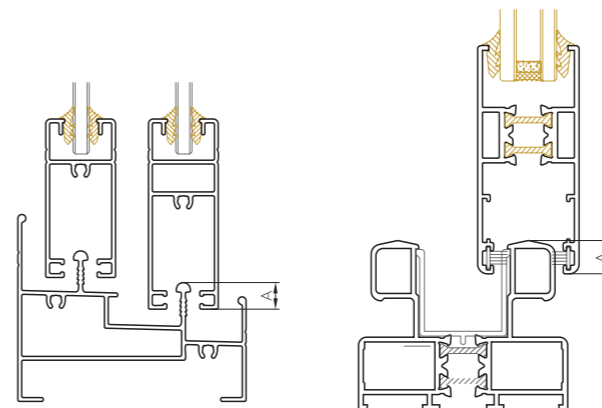
注：我司所示的滑轮承重均为一对或一组滑轮的承重。

2、滑轮的安装和固定

- 根据不同的型材结构和不同结构的滑轮，其与扇料的固定连接方式各有不同。在连接组扇前，应确定其固定方式，再根据实际情况合理用螺丝或螺钉固定。
- 必须使滑轮与门窗扇下方紧密连接，不得松动。

3、滑轮对型材的配合要求与安装

- 安装滑轮时应预留好滑轮的安装和调节空间，并保证下方与下轨之间有足够搭接量A，特别是伞形轨道的下滑，防止扇脱轨。
- 安装时还应注意滑轮应处于下滑轨道中间，同时保证两个(两组)滑轮要同在一直线上，不得偏移。

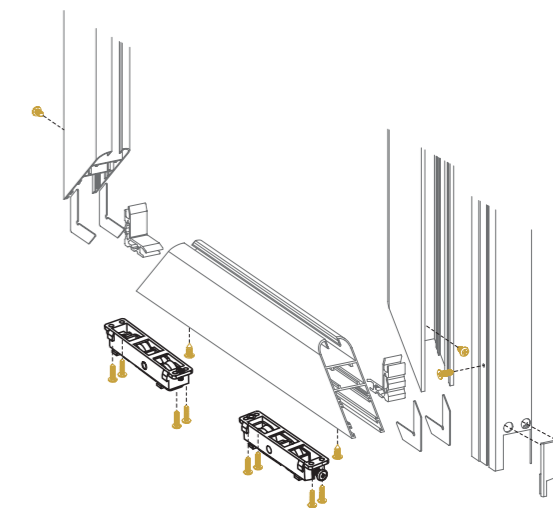


4、滑轮的维护

- 滑轮需要定期的检查维护，与滑轮配合的下轨道不能落入沙子、水泥、石灰等硬质杂物和酸碱腐蚀性物质，及太多的灰尘等，这样会使门窗扇开关不顺畅，并使滑轮受到损坏。

5、注意事项

- 滑轮的实际使用效果和承重与选用滑轮轮轨、形状和角度等配合有关系，大批量使用前敬请试装确定。



1.The selection of roller series:

- Option for roller should be based on window&door sash weight, aluminum profile installation space and roller's maximum load .

1. Window /door sash weight=(Glass weight + sash profile weight) x 1.3(safety index).
2. Ensure fixing space between the sash and rail, the shape and dimension of the rollers must be accorded with the shape of the bottom slide rail.
3. Select the corresponding roller upon the above details (1) and (2).

Remark:

The maximum load of roller we provided is the number per twain.

2.The installation and fastening of roller:

- According to the different profile and roller structure, fix the correct connection method. Fix the fastening mode before sash connection and assembly, and then reasonably use screws to fasten upon the actual situation.
- The roller must be linked closely with the door&window sash bottom without looseness.

3.Requirements for profile and roller installation

- Reserve roller adjustment space when installing and guarantee enough amount of overlap A between the sash bottom and slide rail to prevent sash from running off the rail, especially the umbel rail slipping.
- Keep the rollers staying at the middle of the bottom rail when installing and make sure the two rollers are on the same line.

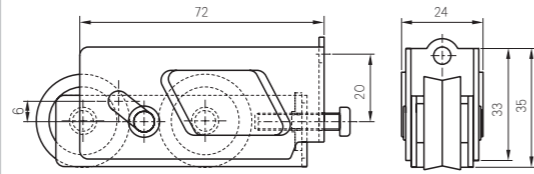
4.Maintenance of roller

The routine inspection and maintenance are essential for the rollers to avoid the sand, cement, lime etc some hard raffle and acid-base property corrosive which may cause the sash unsmooth opening and have an bad effect on the rollers.

LTS04



- Load bearing: 60 kg/pair.
- Many options for nylon roller, please give clear indication of parameter of the rail shape and angle when place an order.

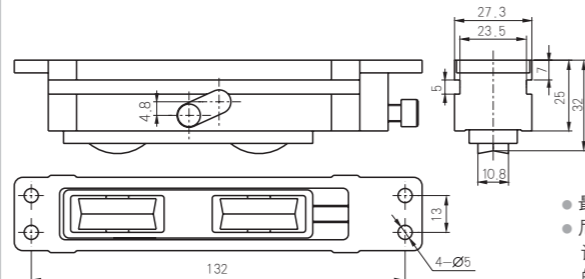


- 最大承重: 60kg/对。
- 尼龙轮有多种选择, 下单请注明滑轮所配合轨道的形状或角度等参数。

LTS05



- Load bearing: 100 kg/pair.
- Many options for nylon roller, please give clear indication of parameter of the rail shape and angle when place an order.

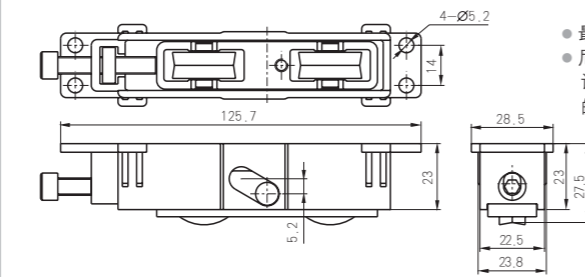


- 最大承重: 100kg/对。
- 尼龙轮有多种选择, 下单请注明滑轮所配合轨道的形状或角度等参数。

LTS06



- Load bearing: 70 kg/pair.
- Many options for nylon roller, please give clear indication of parameter of the rail shape and angle when place an order.

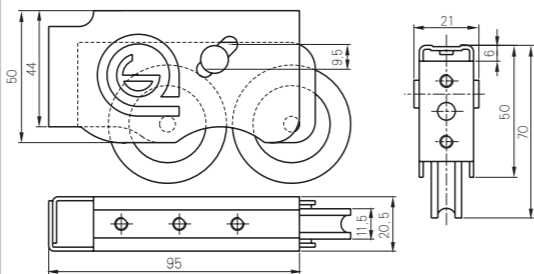


- 最大承重: 70kg/对。
- 尼龙轮有多种选择, 下单请注明滑轮所配合轨道的形状或角度等参数。

LTS07



- Load bearing: 100 kg/pair.
- Many options for nylon roller, please give clear indication of parameter of the rail shape and angle when place an order.

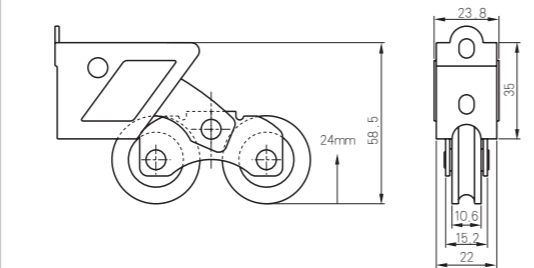


- 最大承重: 100kg/对。
- 尼龙轮有多种选择, 下单请注明滑轮所配合轨道的形状或角度等参数。

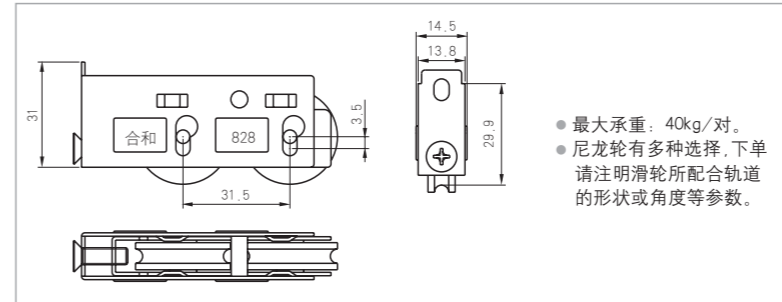
LTS09



- Load bearing: 40kg/pair.
- Many options for nylon roller, please give clear indication of parameter of the rail shape and angle when place an order.



- 最大承重: 40kg/对。
- 尼龙轮有多种选择, 下单请注明滑轮所配合轨道的形状或角度等参数。

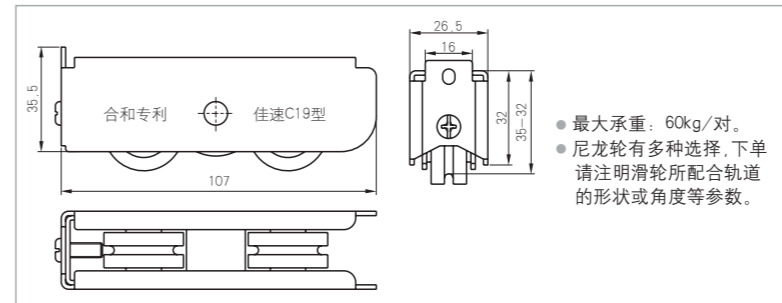


- 最大承重: 40kg/对。
- 尼龙轮有多种选择, 下单请注明滑轮所配合轨道的形状或角度等参数。

LTS10



- Load bearing: 40kg/pair.
- Many options for nylon roller, please give clear indication of parameter of the rail shape and angle when place an order.

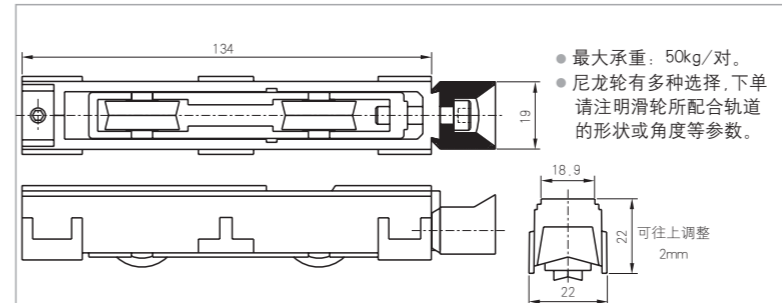


- 最大承重: 60kg/对。
- 尼龙轮有多种选择, 下单请注明滑轮所配合轨道的形状或角度等参数。

LTS11



- Load bearing: 60kg/pair.
- Many options for nylon roller, please give clear indication of parameter of the rail shape and angle when place an order.

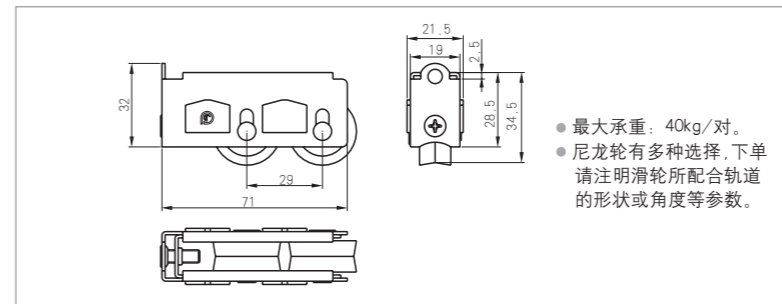


- 最大承重: 50kg/对。
- 尼龙轮有多种选择, 下单请注明滑轮所配合轨道的形状或角度等参数。

LTS12



- Load bearing: 50kg/pair.
- Many options for nylon roller, please give clear indication of parameter of the rail shape and angle when place an order.

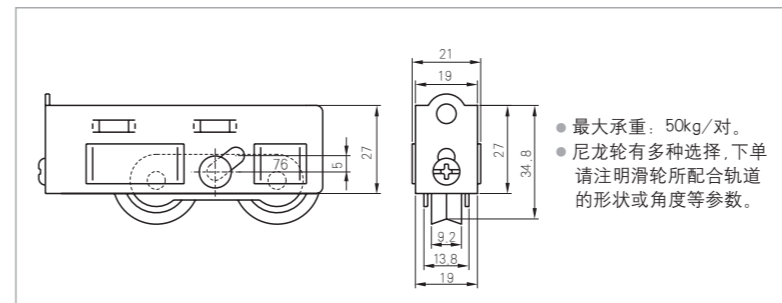


- 最大承重: 40kg/对。
- 尼龙轮有多种选择, 下单请注明滑轮所配合轨道的形状或角度等参数。

LTS13



- Load bearing: 40kg/pair.
- Many options for nylon roller, please give clear indication of parameter of the rail shape and angle when place an order.



- 最大承重: 50kg/对。
- 尼龙轮有多种选择, 下单请注明滑轮所配合轨道的形状或角度等参数。

LTS14A



- Load bearing: 50kg/pair.
- Many options for nylon roller, please give clear indication of parameter of the rail shape and angle when place an order.

Roller Series

推拉门窗滑轮系列

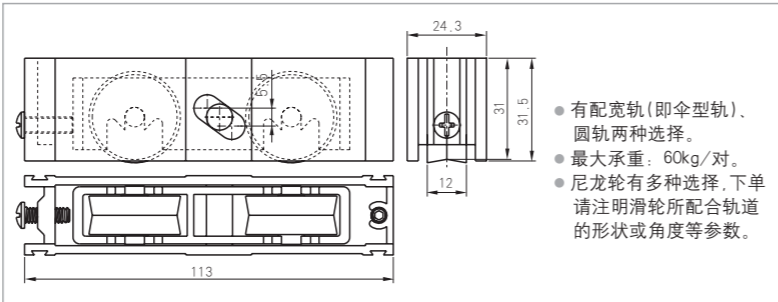
Roller Series

推拉门窗滑轮系列

LTS15



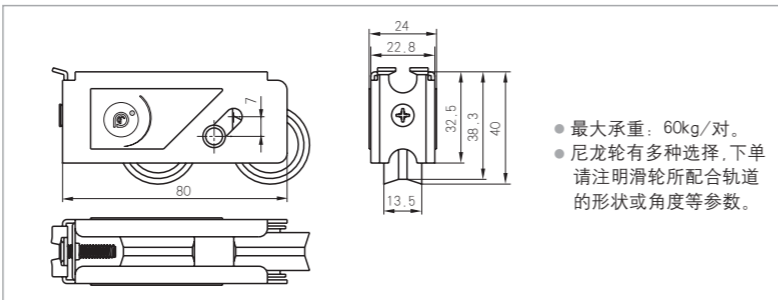
- Two options for roller: broad gauge and circular orbit.
- Load bearing: 60kg/pair.
- Many options for nylon roller, please give clear indication of parameter of the rail shape and angle when place an order.



LTS17



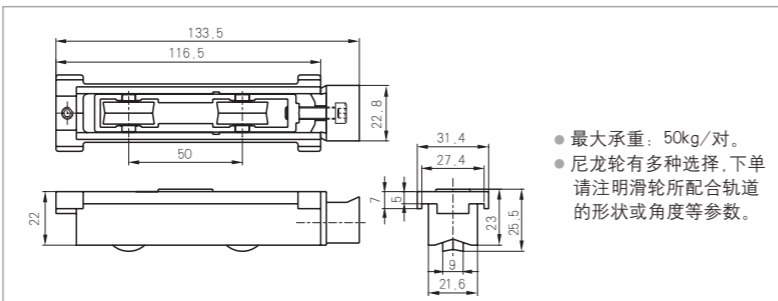
- Load bearing: 60kg/pair.
- Many options for nylon roller, please give clear indication of parameter of the rail shape and angle when place an order.



LTS18



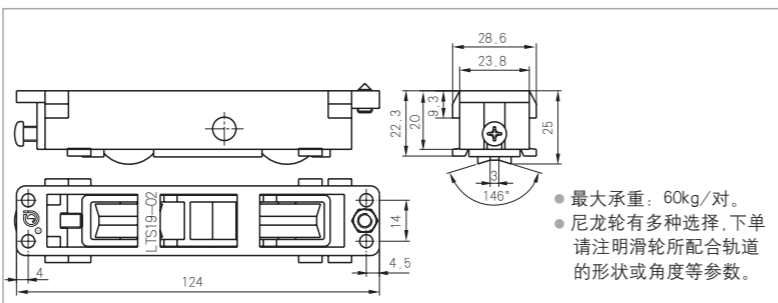
- Load bearing: 50kg/pair.
- Many options for nylon roller, please give clear indication of parameter of the rail shape and angle when place an order.



LTS19



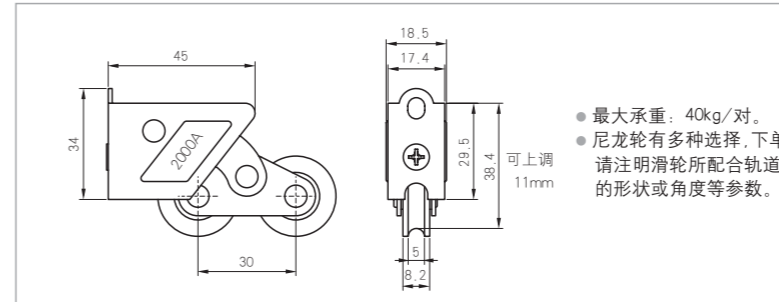
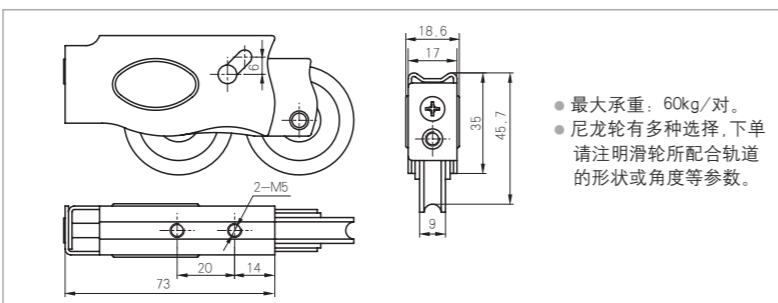
- Load bearing: 60kg/pair.
- Many options for nylon roller, please give clear indication of parameter of the rail shape and angle when place an order.



LTS20D



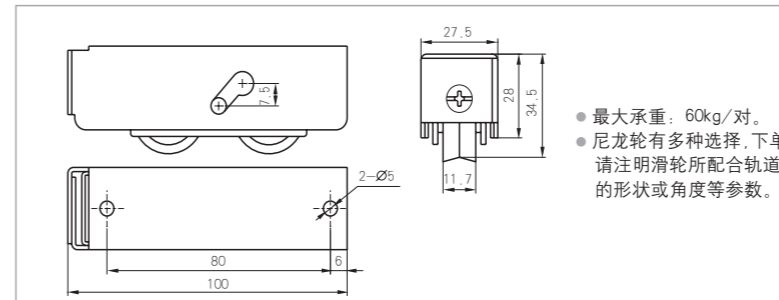
- Load bearing: 60kg/pair.
- Many options for nylon roller, please give clear indication of parameter of the rail shape and angle when place an order.



LTS22



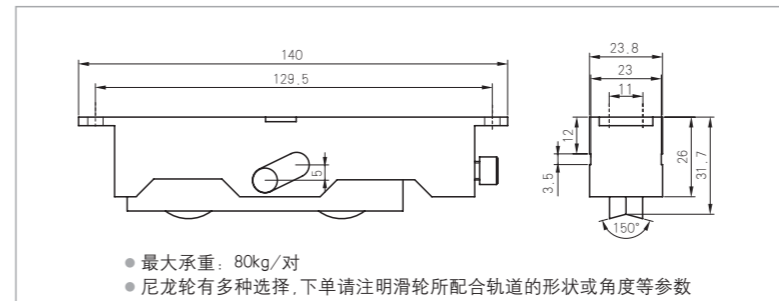
- Load bearing: 40kg/pair.
- Many options for nylon roller, please give clear indication of parameter of the rail shape and angle when place an order.



LTS23



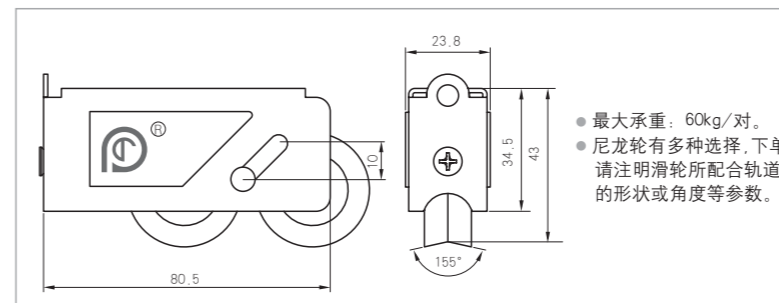
- Load bearing: 60kg/pair.
- Many options for nylon roller, please give clear indication of parameter of the rail shape and angle when place an order.



LTS24



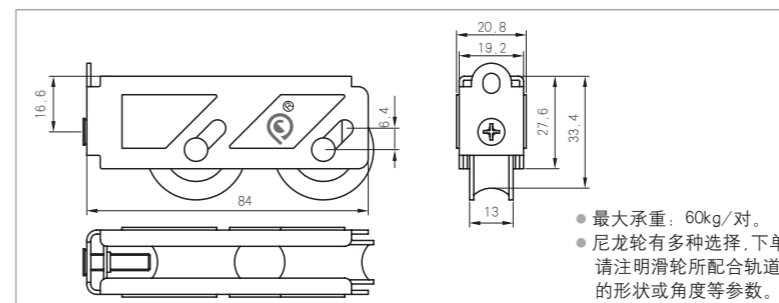
- Load bearing: 80kg/pair.
- Many options for nylon roller, please give clear indication of parameter of the rail shape and angle when place an order.



LTS25



- Load bearing: 60kg/pair.
- Many options for nylon roller, please give clear indication of parameter of the rail shape and angle when place an order.



LTS26

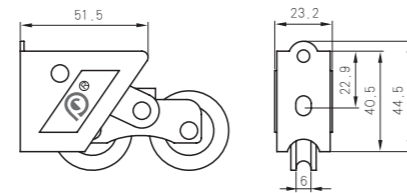


- Load bearing: 60kg/pair.
- Many options for nylon roller, please give clear indication of parameter of the rail shape and angle when place an order.

LTS29



- Load bearing: 60kg/pair.
- Many options for nylon roller, please give clear indication of parameter of the rail shape and angle when place an order.

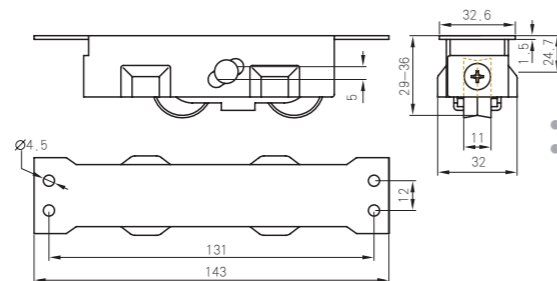


- 最大承重: 60kg/对。
- 尼龙轮有多种选择, 下单请注明滑轮所配合轨道的形状或角度等参数。

LTS31



- Load bearing: 80kg/pair.
- Many options for nylon roller, please give clear indication of parameter of the rail shape and angle when place an order.

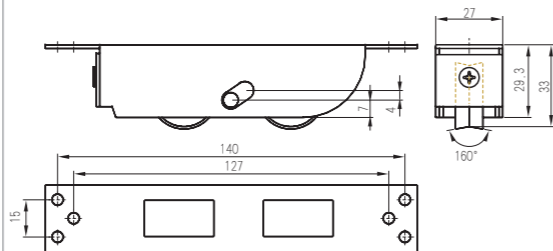


- 最大承重: 80kg/对。
- 尼龙轮有多种选择, 下单请注明滑轮所配合轨道的形状或角度等参数。

LTS50



- Load bearing: 100kg/pair.
- Many options for nylon roller, please give clear indication of parameter of the rail shape and angle when place an order.

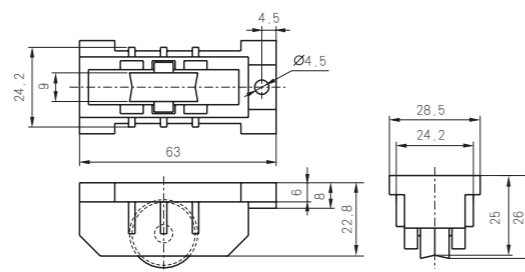


- 最大承重: 100kg/对。
- 尼龙轮有多种选择, 下单请注明滑轮所配合轨道的形状或角度等参数。

LBD05



- Load bearing: 30kg/pair.
- Many options for nylon roller, please give clear indication of parameter of the rail shape and angle when place an order.

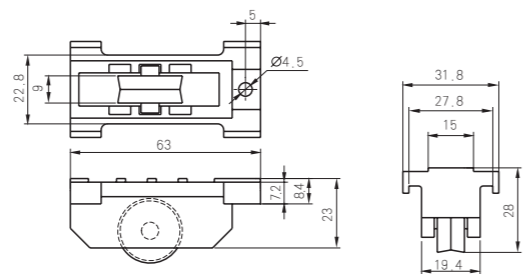


- 最大承重: 30kg/对。
- 尼龙轮有多种选择, 下单请注明滑轮所配合轨道的形状或角度等参数。

LBD07



- Load bearing: 30kg/pair.
- Many options for nylon roller, please give clear indication of parameter of the rail shape and angle when place an order.

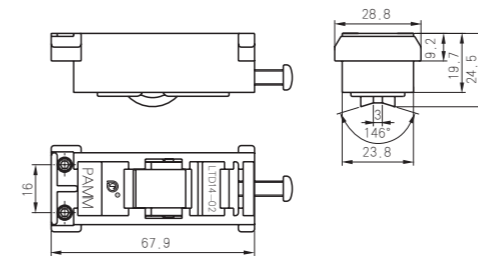


- 最大承重: 30kg/对。
- 尼龙轮有多种选择, 下单请注明滑轮所配合轨道的形状或角度等参数。

LTD14



- Load bearing: 30kg/pair.
- Many options for nylon roller, please give clear indication of parameter of the rail shape and angle when place an order.

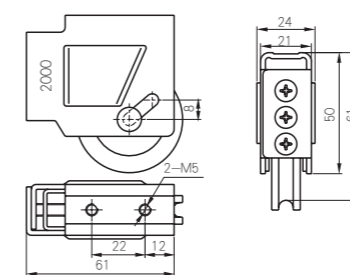


- 最大承重: 30kg/对。
- 尼龙轮有多种选择, 下单请注明滑轮所配合轨道的形状或角度等参数。

LTD07



- Load bearing: 45kg/pair.
- Many options for nylon roller, please give clear indication of parameter of the rail shape and angle when place an order.

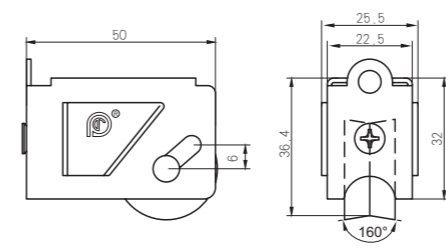


- 最大承重: 45kg/对。
- 尼龙轮有多种选择, 下单请注明滑轮所配合轨道的形状或角度等参数。

LTD12



- Load bearing: 35kg/pair.
- Many options for nylon roller, please give clear indication of parameter of the rail shape and angle when place an order.

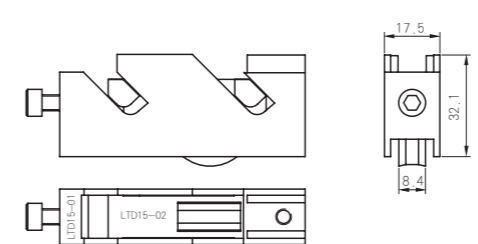


- 最大承重: 35kg/对。
- 尼龙轮有多种选择, 下单请注明滑轮所配合轨道的形状或角度等参数。

LTD15



- Load bearing: 30kg/pair.
- Many options for nylon roller, please give clear indication of parameter of the rail shape and angle when place an order.

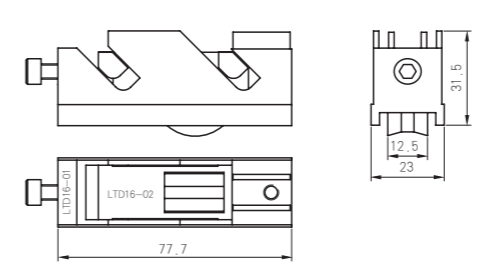


- 最大承重: 30kg/对。
- 尼龙轮有多种选择, 下单请注明滑轮所配合轨道的形状或角度等参数。

LTD16



- Load bearing: 30kg/pair.
- Many options for nylon roller, please give clear indication of parameter of the rail shape and angle when place an order.



- 最大承重: 30kg/对。
- 尼龙轮有多种选择, 下单请注明滑轮所配合轨道的形状或角度等参数。

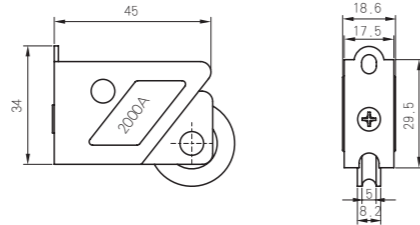
Roller Series

推拉门窗滑轮系列

LTD22



- Load bearing: 25kg/pair.
- Many options for nylon roller, please give clear indication of parameter of the rail shape and angle when place an order.

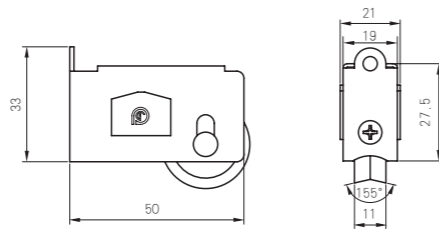


- 最大承重: 25kg/对。
- 尼龙轮有多种选择, 下单请注明滑轮所配合轨道的形状或角度等参数。

LTD23



- Load bearing: 30kg/pair.
- Many options for nylon roller, please give clear indication of parameter of the rail shape and angle when place an order.

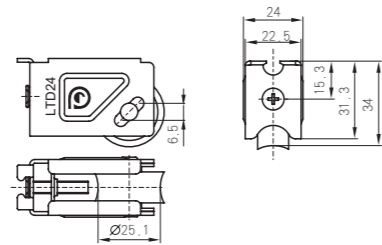


- 最大承重: 30kg/对。
- 尼龙轮有多种选择, 下单请注明滑轮所配合轨道的形状或角度等参数。

LTD24



- Load bearing: 35kg/pair.
- Many options for nylon roller, please give clear indication of parameter of the rail shape and angle when place an order.

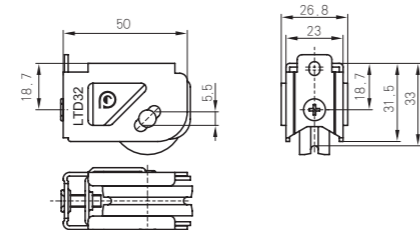


- 最大承重: 35kg/对。
- 尼龙轮有多种选择, 下单请注明滑轮所配合轨道的形状或角度等参数。

LTD32



- Load bearing: 35kg/pair.
- Many options for nylon roller, please give clear indication of parameter of the rail shape and angle when place an order.

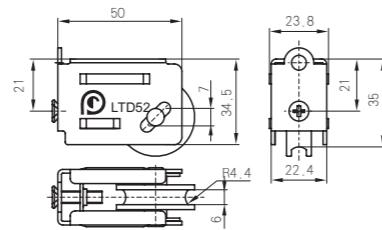


- 最大承重: 35kg/对。
- 尼龙轮有多种选择, 下单请注明滑轮所配合轨道的形状或角度等参数。

LTD52



- Load bearing: 35kg/pair.
- Many options for nylon roller, please give clear indication of parameter of the rail shape and angle when place an order.



- 最大承重: 35kg/对。
- 尼龙轮有多种选择, 下单请注明滑轮所配合轨道的形状或角度等参数。

为 建 筑 创 造 价 值



CREATE VALUE FOR CONSTRUCTION Using our products to build a beautiful, safe, energy-saving living environment, creating value for society, are the practice of our company concept of "harmonious development and win-win cooperation".

Specialized Manufacturer of Accessories for
Window & Door