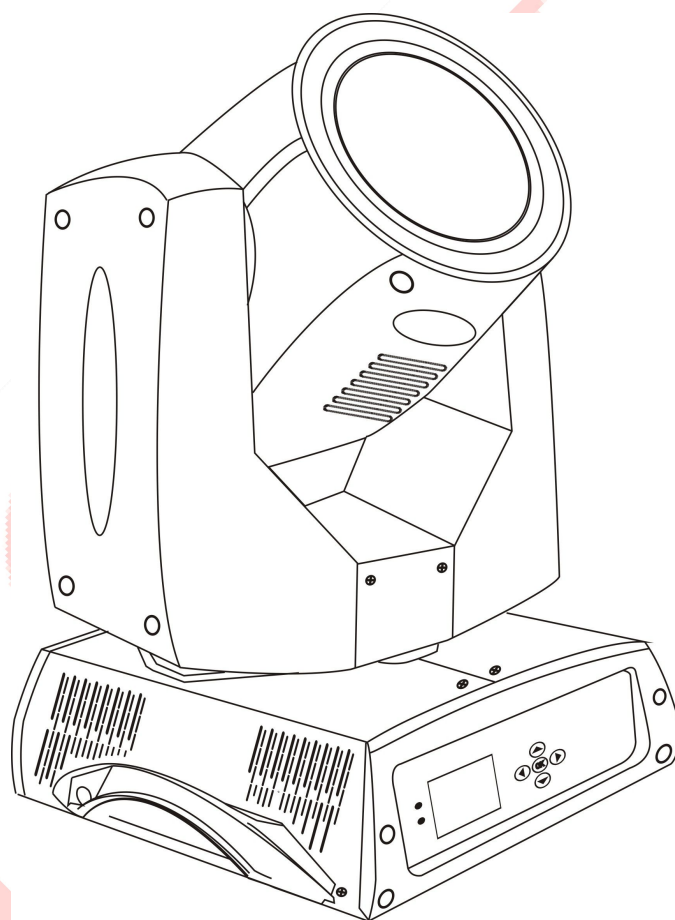


BEAM 230

MOVING HEAD



User Manual

Catalogue

| | |
|---|-------|
| 1、 Open-package inspection ----- | page2 |
| 2、 Attentions----- | page2 |
| 3、 Technical Parameter----- | page2 |
| 3、 Install----- | page2 |
| 4、 The install and exchange of lamp----- | page3 |
| 5、 The connecting of the signal cable----- | page3 |
| 6、 Button Introduction----- | page4 |
| 7、 Executive function and start editing, exit editor----- | page4 |
| 8、 Interface introduction----- | page5 |
| 9、 Channels----- | page7 |
| 10、 Problems and Solutions----- | page8 |
| 11、 Maintenance----- | page8 |
| 12、 Statement----- | page8 |

1、Open-package inspection

First of all thank you for buy our products.Please read this user manual completely and carefully, and keep it well for reference when needed. This use manual includes important information about the installation and using of the moving head. Please hew to the relevant specification strictly when install and use this product.

This Moving head light is made of new high strength heat-resistant engineering plastic and cast aluminum shell , with beautiful design and smooth outlook, Is the representative of the modern lights. This product strictly according to CE standard design and production, fully comply with international standard DMX 512 protocol.Can be single control , also can use integrated with each other. It is suitable for large-scale theatrical performances, theaters , studio and disco and other places.

After receiving the product, please be careful to take and put., Check if the product have been damaged during the transportation, and check the following parts:

| | | | |
|-------------------|------|-------------------|------|
| The body----- | 1pcs | Safe rope----- | 1pcs |
| Power cable ----- | 1pcs | hook----- | 2pcs |
| User manual ----- | 1psc | signal cable----- | 1pcs |

2、Attentions

1. To ensure the service life of the product, please keep it away from water and do not work in the environment which the temperature is above sixty degrees.
2. Don't put the product on the place easy to loose or easy vibration .
3. In order to avoid electric shock, this product must maintenance by professional person.
4. when using, the power supply voltage change should not be more than 10%, the voltage is too high, will shorten the life of the light bulb, the voltage is too low, then affects the light color.
5. When power off, the product need 20 minutes to sufficient cooling before use again.
6. To ensure the normal use, please read this user manual carefully.

3、Technical Parameter

1. Voltage: AC100V-240V
2. Frequency: 50/60Hz
3. Rated power: 350W/400W

4. Lamp: 5R Philips/7R Osram
5. Bulb power: 189W/230W
6. Strobe: 1-13times/second
7. Color temperature: 8000K
8. Horizontal scanning 540 degrees, Horizontal 16 bit, electronic error correction, vertical scanning 270 degrees, vertical 16 bit, electronic error correction.
9. Gobo: 17 gobo add white and stream effect,gobo electric focus function
10. Color: 14 color add white and rainbow effect
11. Effect: Can transfer from beam into atomization effect
12. Panel Control: Touch screen control and Manual control
13. Signal Control: DMX512 international standard signal
14. Safety protection: when the machine is overheating or the system malfunctioning it will automatically cut off power supply.

4、 Installation

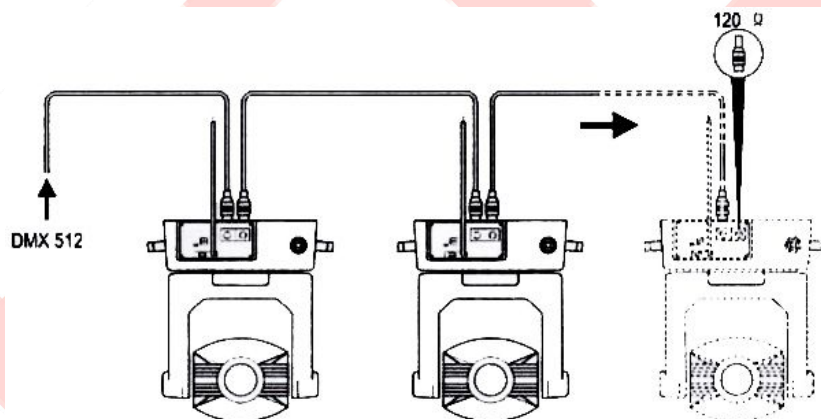
1. Before install, please make sure the power supply is the same as the product identified.
2. The cable connecting to the main power supply must meet the requirements, should not overload.
3. The installation must be done by professional person, fixed the light safely and reliable, and transferred to appropriate irradiation angle.
4. Please ensure that the draft fan and exhaust channel is not blocked
5. At the bottom of the moving head light with insurance line connection hole, based on safety reasons, please use the insurance rope which can withstand ten times the weight of the Moving head through the insurance line connection hole for auxiliary lifting.
6. When install this equipment , please ensure that at least 1.5 meters range no extreme inflammable and explosive items(ornaments, etc.) ensure the moving head light and the wall interval twenty centimeters of above.
7. This product can be fixed hanging installation and put on the floor to use.
8. Based on the safety, please make sure the earth wire grounded.
- 9.The Pan and Tilt of this product was locked when packing, please ensure it was unlocked before the power on.

5、 Installation and change of the Lamp

1. In order to prolong the life of the moving head light as far as possible, please choose the same type of lamp for it.
2. First of all to unscrew the four screws on the back cover of the moving head light, then open the back cover, pinch the ceramic holder of the bulb and anti-clockwise rotation 90°, take out the lamp.
3. Open the bulb packing carefully, take out the new lamp, pinch lamp ceramic holder, insert the lamp holder and 90°clockwise rotation

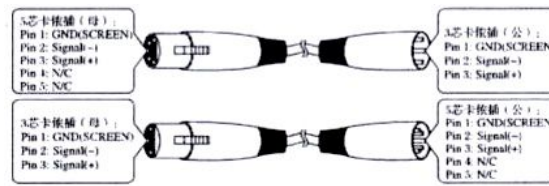
6、 The connecting of the signal cable

Connected the XLR control cable from the DMX controller's outlet to the first moving head light's input port, and connected from the first light's DMX outlet to the second light's DMX input port, repeating the process, until all the lights are of connection. Then connected the accompanied circuit plug to the last light's signal output port, the connection finished, as shown in figure:

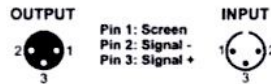


Note: please remember to connect a circuit plug to the last moving head light's signal output port. Between the second and third pole of the CANON plug of this circuit plug have a 120Ω resistance, connect this circuit plug can avoid signal reflection phenomenon during the DMX512 signal transmission process .

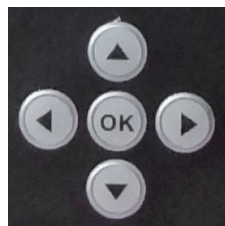
This Moving head use 3 pin XLR plug, If your controller use 5 pin XLR plug, you must use a 5 pin to 3 pin patch cord. See below:



三芯卡依插 (Canon) DMX512接口线路



7、Button Instruction



The “LEFT”, “RIGHT” button have the same function:

Return to the last interface

“UP”, “DOWN” button:

Select, Edit

“ENTER” button (the “OK”button):

8、Executive function and start editing, exit editor

Below take “modify DMX address code”as an example, tell the use of the button:

1. If the current is not the main interface, press the “LEFT”button(one or multiple) can come back to the main interface.
2. In the main interface, press“UP”button of “DOWN”button and select the “set”button
3. Press “ENTER”button , come to the “setting”interface
4. In the “set”interface, press “UP”or”DOWN” button and select “DMX ADD”
5. Press “ENTER” button come to the editing state
6. Press “UP”or “DOWN” button to modify the DMX address code.
7. Press “ENTER”button quit the editing stage.

If use touch scree, the process is more convenient:

1. In the main interface touch the “set” button, come to the “setting”interface
2. The same to the up 4~7 step(can use both physical button and touch button), no more words.

9、 Interface introduction

9. 1. Main interface



The 3 buttons at top right corner are for language switching and screen rotation.
The function of the 4 buttons on the bottom row please see the following info.

9. 2. Interface Settings

| Options | Illustration | |
|---------------|--------------|--|
| Running Mode | DMX | Slave State: Receiving DMX signal from controller or Master. |
| | Auto | Master State: Auto run, and sending DMX signal to Slave. Notice : If the bulb off,the light will not be on automatically; if you need to observe the lighting effects,please turn on the bulb light firstly,then enter the automatic state. |
| DMX Address | 1-512 | Press “OK”button to enter edit state.at the same time,choose the hundreds place,change address code according to the“UP”and”DOWN”Button. Click”OK”again to select tens to edit,and then click”OK”again to select Units to edit.Click again to exit. |
| Channel Model | 16 | The 17 th to 20 th channel is invalid |
| | 20 | The 17 th to 20 th channel control function (see channel table) |
| Pan reversal | off | |

| | | |
|--------------------------|--------|--|
| | on | |
| Tilt reversal | off | |
| | on | |
| Pan and Tilt exchange | off | |
| | on | Exchange XY channels(including fine turning) |
| Pan and Tilt encoder | On | Use encoder (light coupling) to judge the wrong step and correct it automatically. |
| | off | Not use encoder(light coupling) to correct position |
| Without DMX Signal | retain | Keep the original state to continue running |
| | clear | Motor return, and stop running |
| Screen saver | on | 30 seconds later, it will close the backlight |
| | off | Backlight on forever |
| Boot light bubble | off | reset directly after Power on ,if not,need to use the menu or control table to turn it on manually. |
| | on | Light on automatic after power on,and can not reset until the light bulb on successfully |
| Restore default settings | | Click "OK"button to see the confirmation dialog box,then click "OK"button again to restore default settings. |

9. 3. Information interface

| options | illustration |
|---------------------|---|
| Software version | The current software version |
| Total used time | Accumulative total used time(accurate to minutes) |
| This time of use | Since the boot the use of time(accurate to minutes) |
| DMX channel value | Enter into the sub interface,the numerical and percentage displayed channel value for reference. |
| System error record | If the red light"ERR"shine,it indicates the operational error of lamps and lanterns,the details please check in the sub interface. After the check,you can click "OK"button to empty the error record. |

9. 4. Manual control interface

| options | Illustration | |
|-------------|--------------|---|
| reset | | Click"OK"button to see confirmation dialog box,click"OK"again, then enter reset interface,then after all motor reset. |
| Color wheel | 0-255 | Press "OK"button to enter edit state.at the same time,choose |

| | | |
|------------------|-------|---|
| | 0-255 | the hundreds to change channel value according to the “UP”and “DOWN”button.Click”OK”again to select tens to edit,and then click”OK”again to select Units to edit.Click again to exit. |
| Gobo wheel speed | 0-255 | |
| Lamp control | on | |
| | off | |

10、Channels

| channel | Channel mode | |
|---------|--------------------|--------------------------------------|
| | 16 | 20 |
| 1 | Color wheel | Color wheel |
| 2 | Blackout / Strobe | Blackout / Strobe |
| 3 | Dimmer | Dimmer |
| 4 | Gobo wheel | Gobo wheel |
| 5 | Prism | Prism |
| 6 | Prism rotation | Prism rotation |
| 7 | Macro | Macro |
| 8 | Frost | Frost |
| 9 | Focus | Focus |
| 10 | Pan | Pan |
| 11 | Pan fine | Pan fine |
| 12 | Tilt | Tilt |
| 13 | Tilt fine | Tilt fine |
| 14 | Pan and Tilt speed | Pan and Tilt speed |
| 15 | Reset | Reset |
| 16 | Lamp control | Lamp control |
| 17 | | Blank |
| 18 | | Color wheel speed |
| 19 | | Dimming, Prism and Atomization speed |
| 20 | | Gobo wheel speed |

11、 Problems and Solutions:

| problem | solution |
|--|---|
| No power supply | Check the power supply voltage |
| Power on,but the moving head light do not accept the control command | Check the set of digital address code and the connectivity of the control signal |
| The projected image has halo | Check the electronic focusing channel value to see whether it is right for the current distance of projection |
| The Beam light not bright enough | May be the end-of-life of the bulb, change a new one, and check whether the optical component is clean. |

Note: the other maintenance work shall be conducted by qualified professional personage.

12、 Maintenance

1. Keep dry, and avoid working in damp conditions.
2. Intermittent use can effectively prolong the service life of the lamps.
3. In order to obtain the good ventilation effect and lighting effects,you'd better to clean the fan, fan nets and lens often.
- 4.Do not use organic solvent such as alcohol..to wipe the lamps shell,it may cause some damage.

13、 Statement

This product was in good performance condition and completely packed before delivery. All users should strictly abide by the above statement warnings and instructions. Any damage caused by misuse is not within the company warranty, and the company will not be responsible for the cause of damage because of the operator's ignorance of this user manual.